



# **SNS COLLEGE OF TECHNOLOGY**

**Coimbatore-35**

**An Autonomous Institution**

Accredited by NBA – AICTE and Accredited by NAAC – UGC with  
'A++' Grade

Approved by AICTE, New Delhi & Affiliated to Anna University,  
Chennai



## **DEPARTMENT OF ELECTRONICS & COMMUNICATION ENGINEERING**

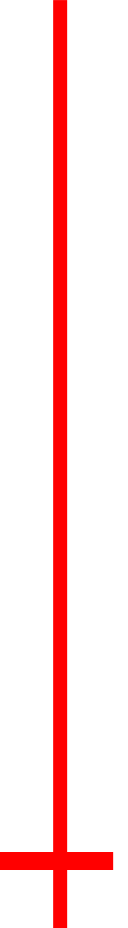
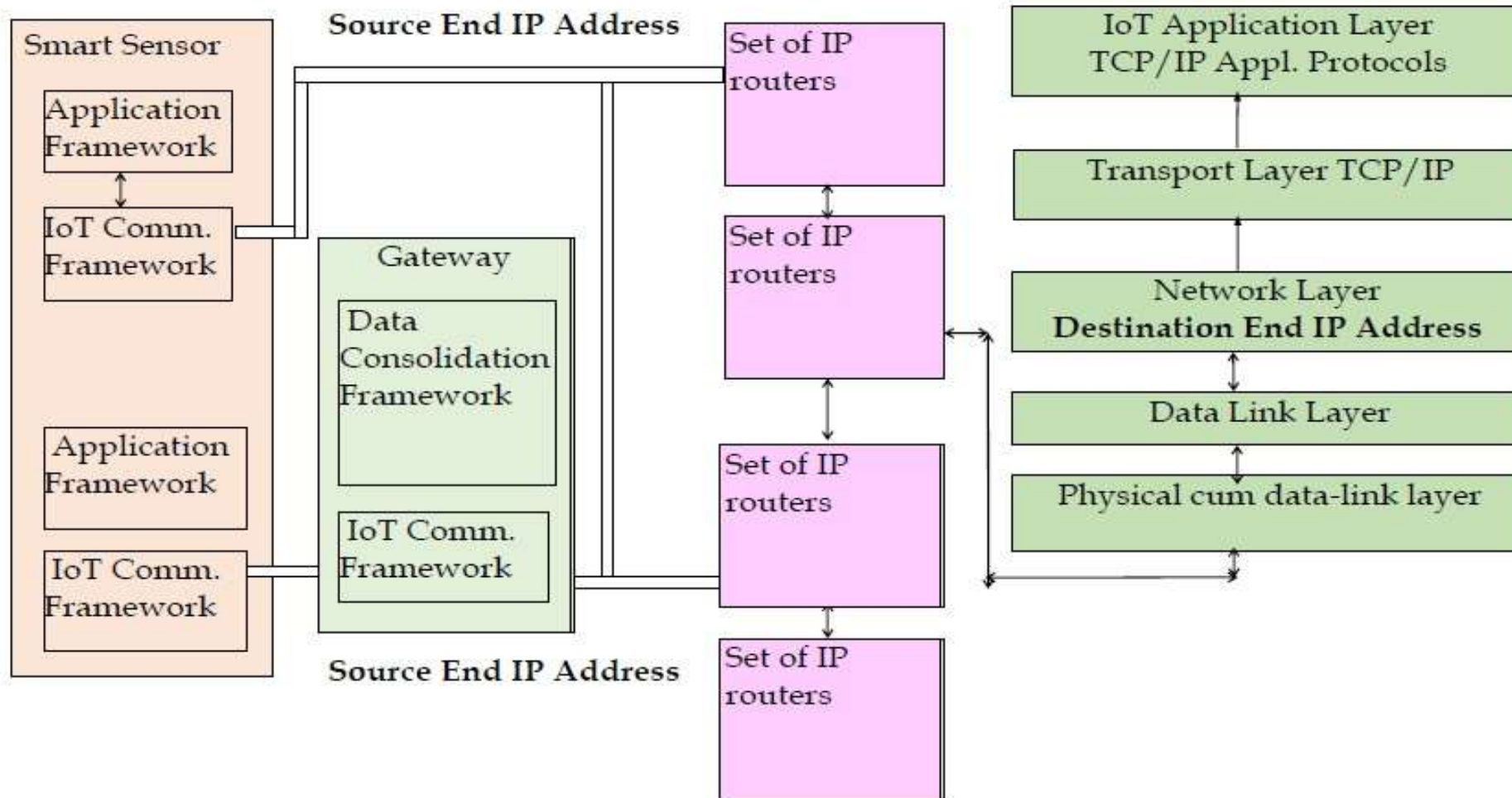
**19ECE308- WIRELESS TECHNOLOGIES FOR IOT**

III ECE / VI SEMESTER

**TOPIC 6 –Application layer protocols: HTTP, HTTPS,FTP,TELNET  
and ports**

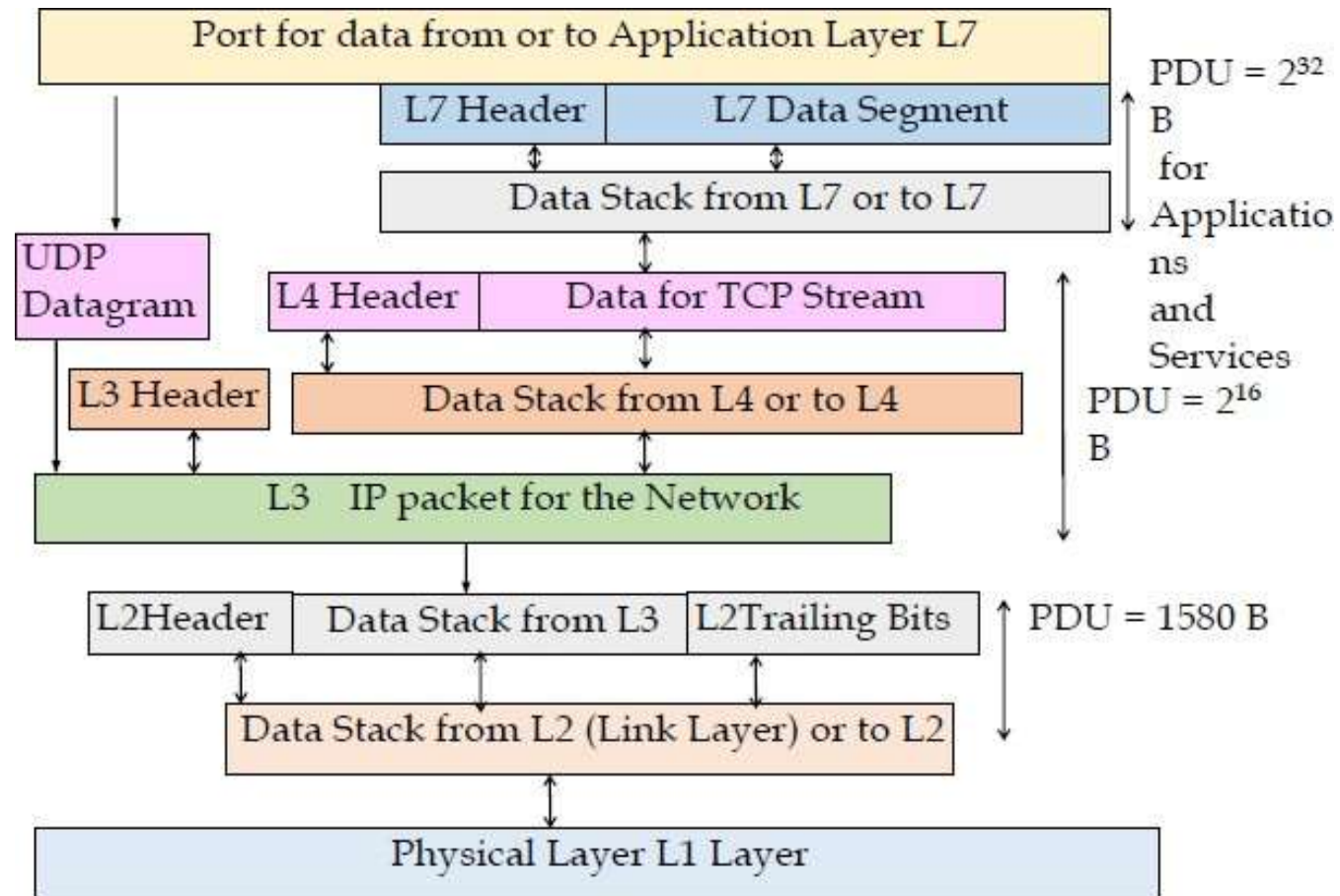


Source end network layer connected through set of IP routers for data packets from an IP address and communicating with IoT/M2M IoT Apps and Services layer using TCP/IP suite of Application protocols



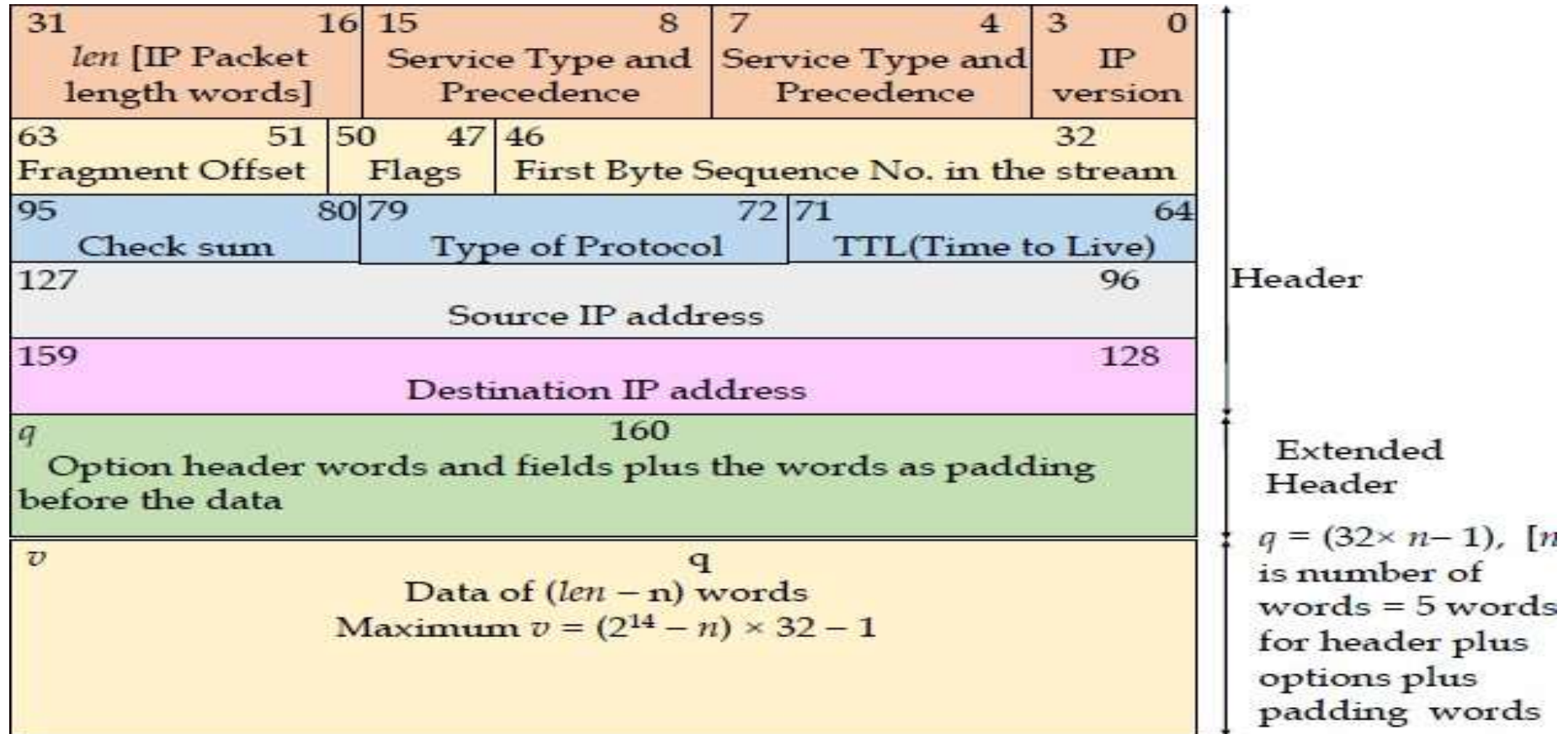


# TCP/IP suite four layers model generating data stack for the network, and for physical layer during Internet communication





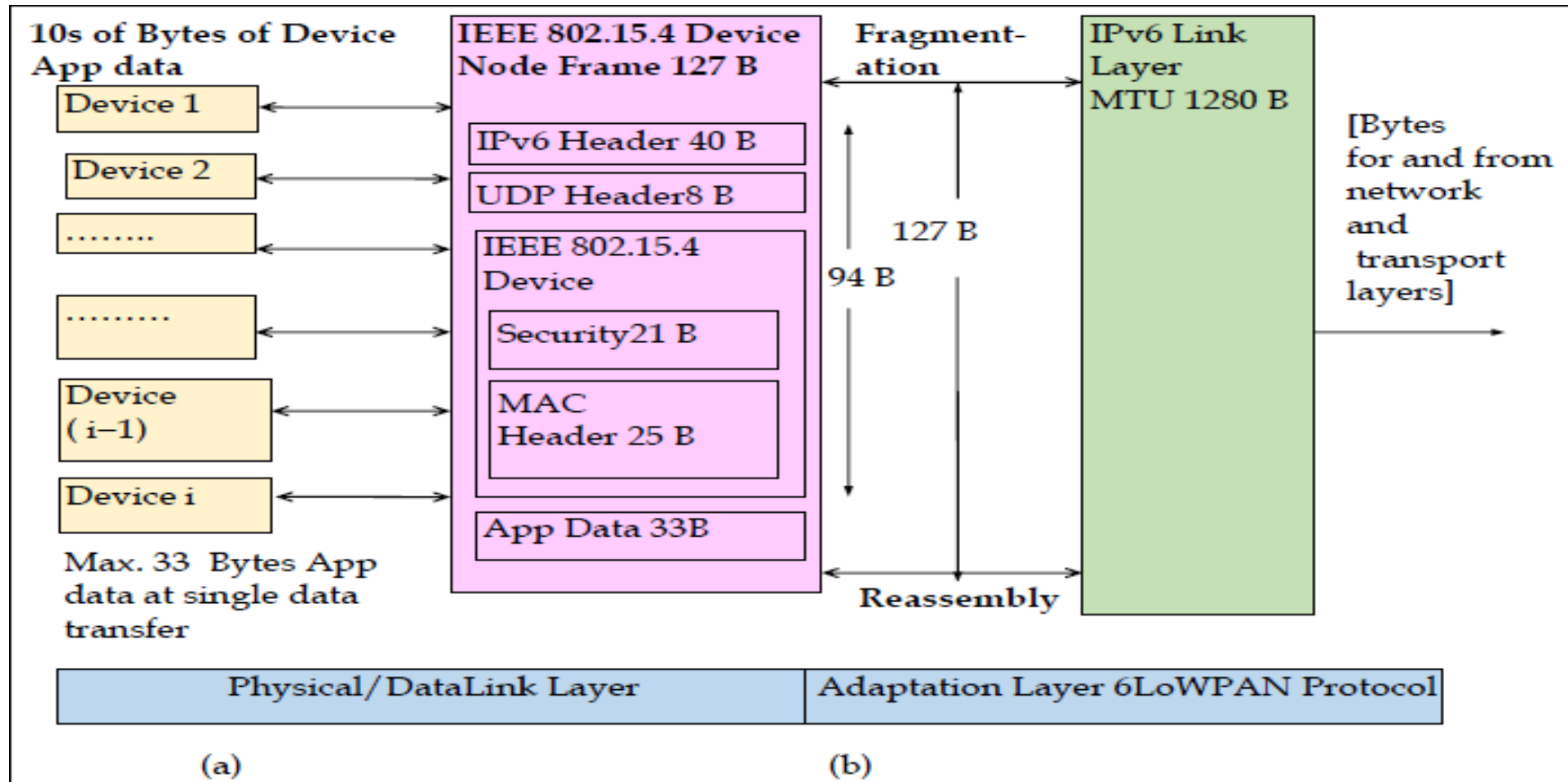
Data stack received or transmitted at or to transport layer, and packet consisting of IP header fields of 160 bits and extended header ( $n - 5$ ) words (when required) plus data stack of maximum  $v$  words from or for the transport layer



Data Packet (stack) from or to Transport layer (Maximum Size  $2^{14}$  words =  $2^{16}$  B)

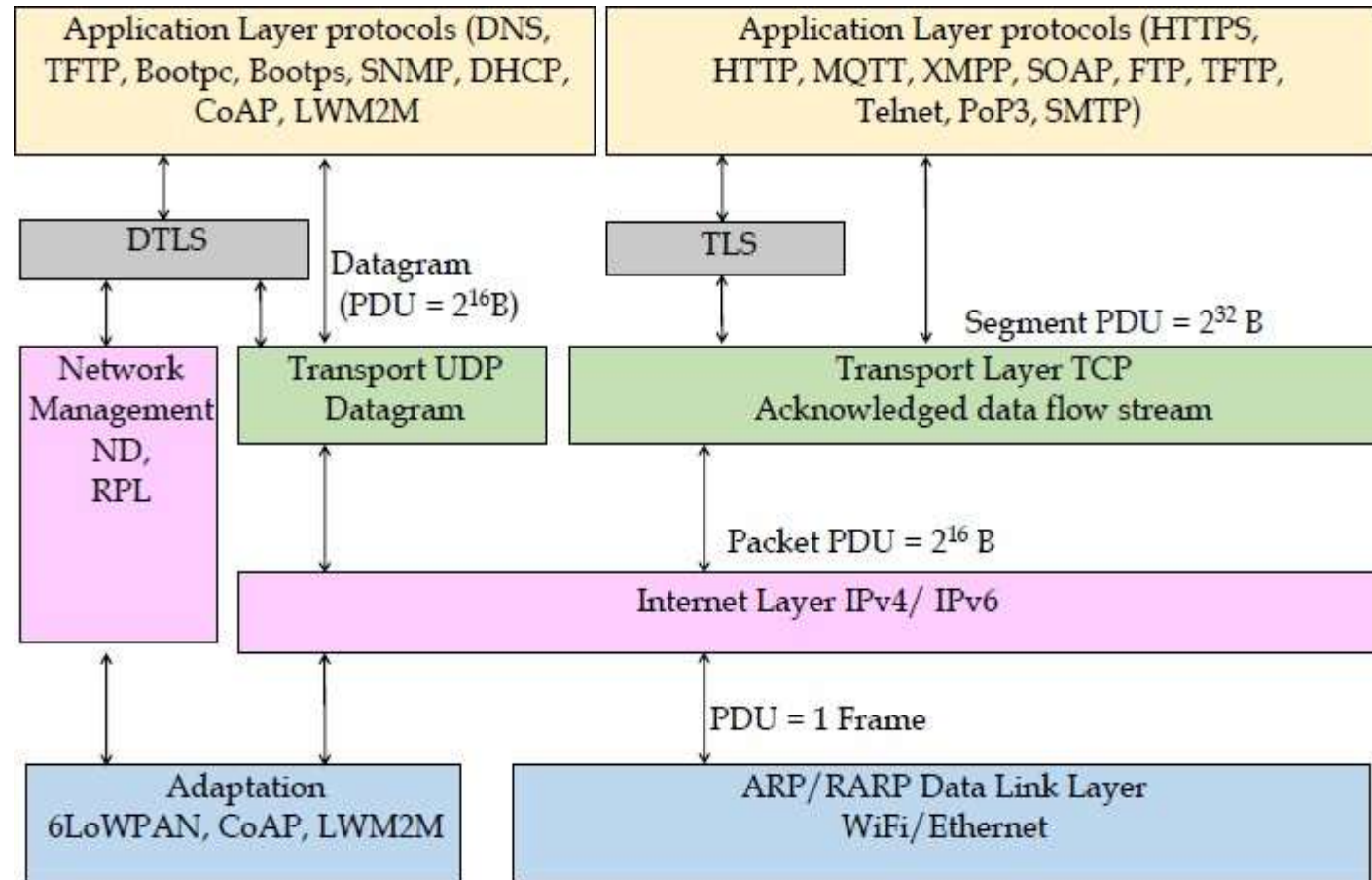


Physical layer IEEE 802.15.4 network devices (b) Adaptation layer 6LoWPAN protocol 127 B fragmented frames reassembly into IPv6 maximum 1280 B or fragmentation of IPv6 MTU 1280B into 127 B frames for transfer to a device.





# IoT TCP/IP Suite of Protocols for Internet





# TCP/IP suite number of Application layer protocols



- Sent from specified port at transmission end and to the specified port at the receiver end, else receiver port does not listen
- HTTP, HTTPS, FTP, Telnet and Others
- A concept of Port: Each port uses a distinct protocol at an Application layer
- A port uses a protocol for sending and receiving messages.



# Application layer HTTP Port



- **HTTP** (Hyper Text Transfer Protocol)
- Port number = 80
- HTTP port sends Application data stack at the output to the lower layer using the HTTP protocol
- An HTTP web server listens to port 80 only and responds to port 80 only
- Uses a URL for example <http://www.mheducation.com/>.
- Default port taken as 80 for the URL Port number can be specified after the TLD, for example, after .com in URL <http://www.mheducation.com:80/>.





# HTTPS (HTTP over Secure Socket Layer or TLS)



- Port number = 443. An HTTPS port sends a URL, for example, [https://en.wikipedia.org/wiki/List\\_of\\_TCP\\_and\\_UDP\\_port\\_numbers](https://en.wikipedia.org/wiki/List_of_TCP_and_UDP_port_numbers).
- Here, TLD is .org
- [https://en.wikipedia.org/wiki/List\\_of\\_TCP\\_and\\_UDP\\_port\\_numbers](https://en.wikipedia.org/wiki/List_of_TCP_and_UDP_port_numbers)
- domain name is wikipedia.org.
- Sub domain name is en.
- Resource relative URL is /wiki/List\_of\_TCP\_and\_UDP\_port\_numbers



# HTTP Client and Server



- HTTP standard protocol
- Requests a URL specified web page (resource)
- Web-Server sends in response the requested resource
- The HTTP client requests an HTTP server on the Internet
- The server responds by sending a response
- The response may be with or without processing



## HTTP a Stateless Protocol

- An HTTP request assumed a fresh request as per the protocol
- No session or sequence number field or no field that is retained in the next exchange
- A current exchange by an HTTP request independent of the previous exchanges. The later exchanges do not depend on the current one.



# Cookie



- A text file which creates during a particular pair of exchanges of HTTP request and response
- The creation is either at a CGI or processing program, for example, JavaScript or script or at a client.
- A prior exchange may then depend on this cookie
- An HTTP state management mechanism



# HTTP Protocol Features

- Used more efficiently than the FTP
- On the other hand HTTP no command line overheads
- Very light (a small format)
- Speedy as compared to other protocols, such as FTP
- Able to transfer any type of data to a client provided it is capable of handling that data.
- Based on Object Oriented Programming System (OOPS)
- Eight HTTP specific specified methods 1. GET. 2. POST. 3. HEAD. 4. CONNECT. 5. PUT. 6. DELETE. 7. TRACE. 8. OPTIONS