

# **SNS COLLEGE OF TECHNOLOGY**

(An Autonomous Institution)

COIMBATORE-35.

Accredited by NBA – AICTE and Accredited by NAAC – UGC with ‘A++’ Grade

Approved by AICTE, New Delhi & Affiliated to Anna University, Chennai.

## **DEPARTMENT OF AUTOMOBILE ENGINEERING**

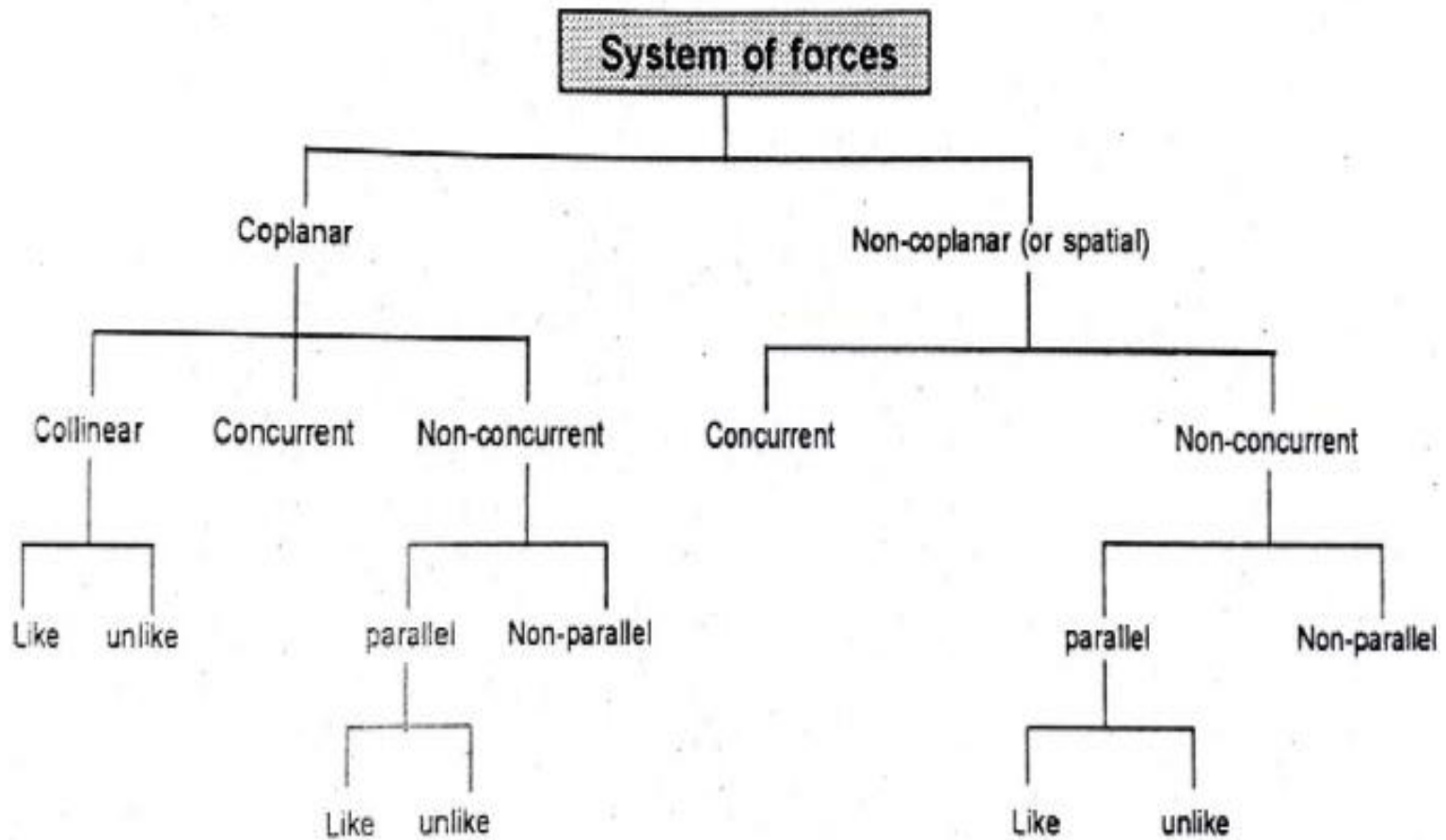
### **COURSE NAME : 23MET101 – ENGINEERING MECHANICS**

**I YEAR / I SEMESTER**

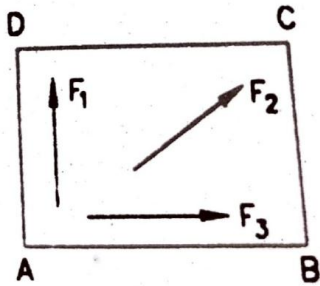
**Topic – Force System**

# System of forces

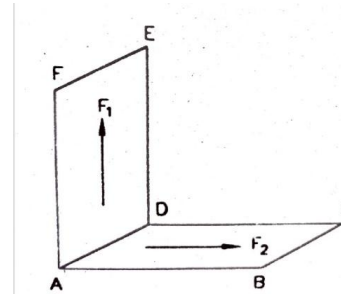
A body with two or more forces acting simultaneously on it constitute a system of forces  
Force system is classified into subdivisions as shown in the line diagram given below:-



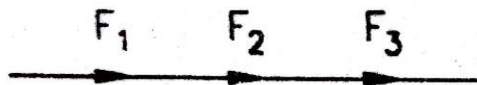
# 1. coplanar forces



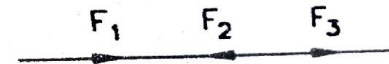
# 2. non-coplanar forces



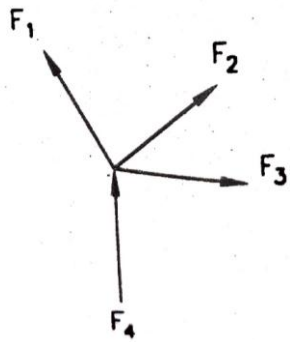
# 3. collinear forces



# 4. unlike collinear



5. concurrent forces



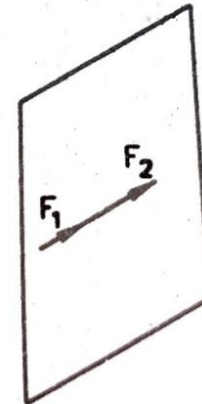
6. parallel forces



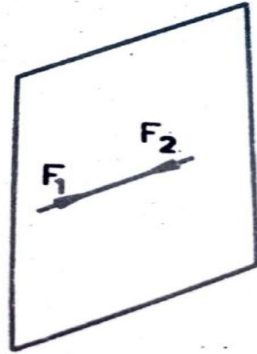
7. Unlike parallel



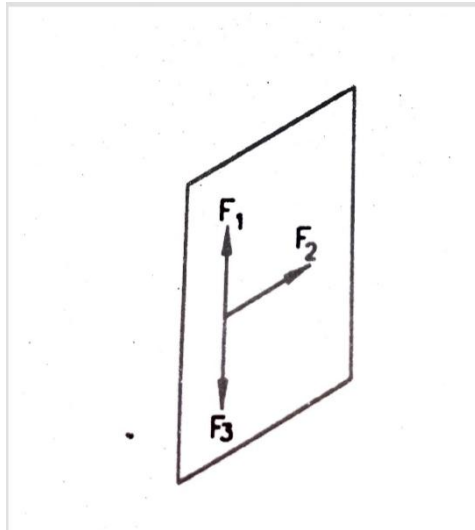
8. like collinear coplanar forces



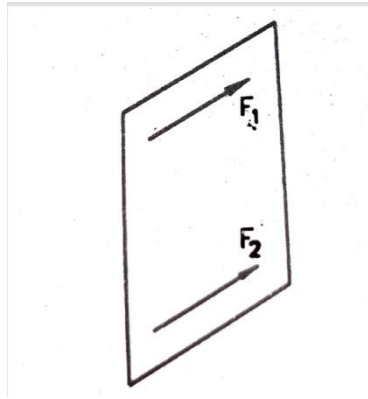
## 9. Unlike collinear coplanar forces



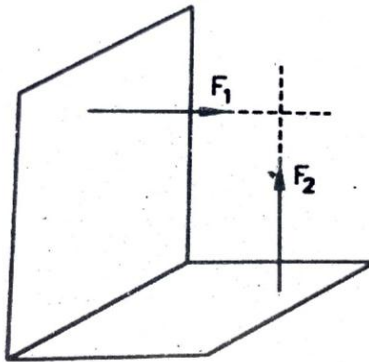
## 10. Coplanar concurrent forces



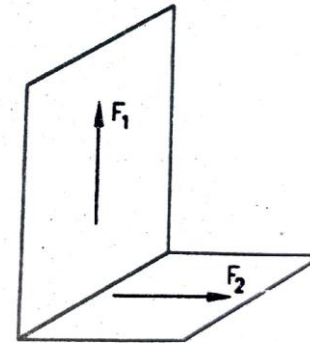
## 11. coplanar non-concurrent forces



## 12. Non coplanar Concurrent forces



## 13. non-coplanar non concurrent forces



Thank You..