



SNS COLLEGE OF TECHNOLOGY

Coimbatore-35
An Autonomous Institution

Accredited by NBA – AICTE and Accredited by NAAC – UGC with 'A+' Grade
Approved by AICTE, New Delhi & Affiliated to Anna University, Chennai

DEPARTMENT OF MECHATRONICS

19MCB302 – INDUSTRIAL ELECTRONICS & APPLICATION
III YEAR V SEM

UNIT 5 – Cycloconverter

TOPIC – Step UP- Cycloconverter

Mr. M.Anand., M.E.,(Ph.D.,)

ASSISTANT PROFESSOR,

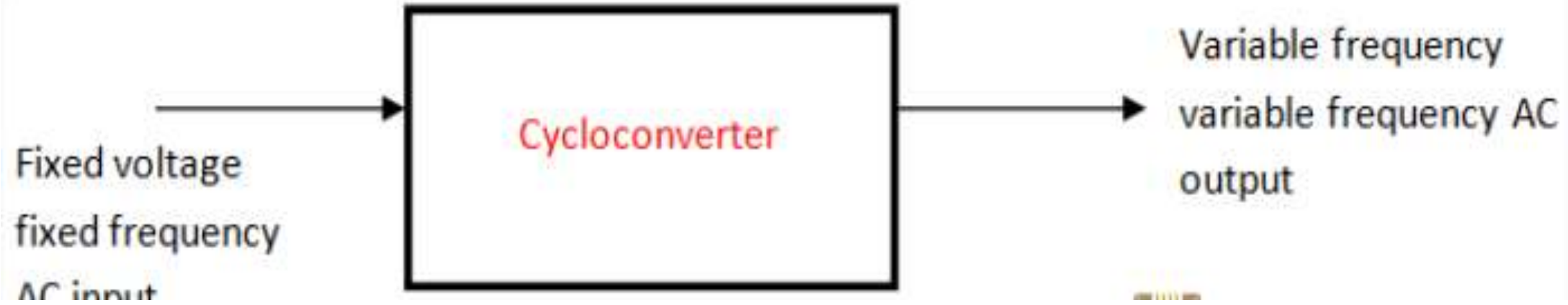
DEPARTMENT OF MECHATRONICS,

SNSCT, Coimbatore.





Introduction





What is Cycloconverter

A cycloconverter (also known as a cycloinverter or CCV) converts a constant voltage, constant frequency AC waveform to another AC waveform of a different frequency. A cycloconverter achieves this through synthesizing the output waveform from segments of the AC supply (without an intermediate DC link).

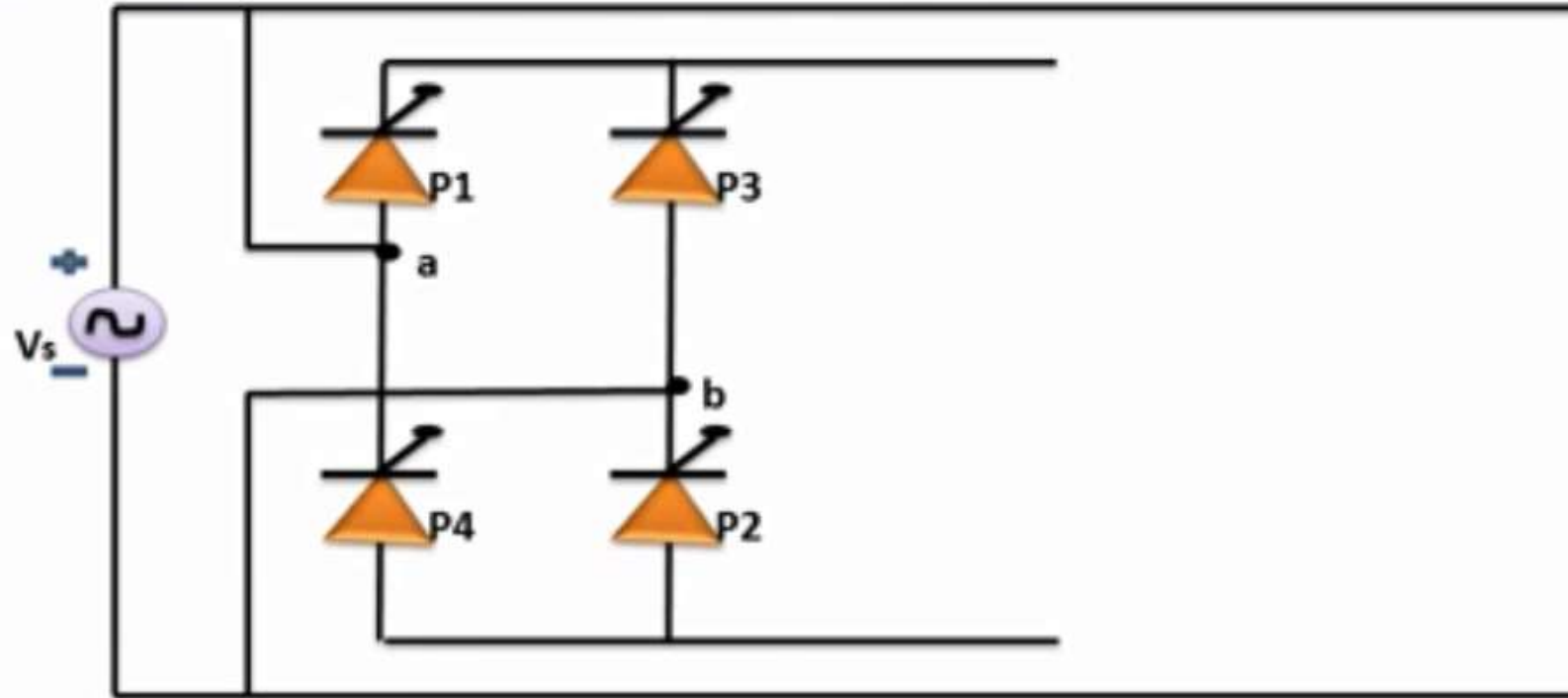


Cycloconverter



LEARN
AND
GROW

STEP UP (BRIDGE TYPE) CYCLOCONVERTER

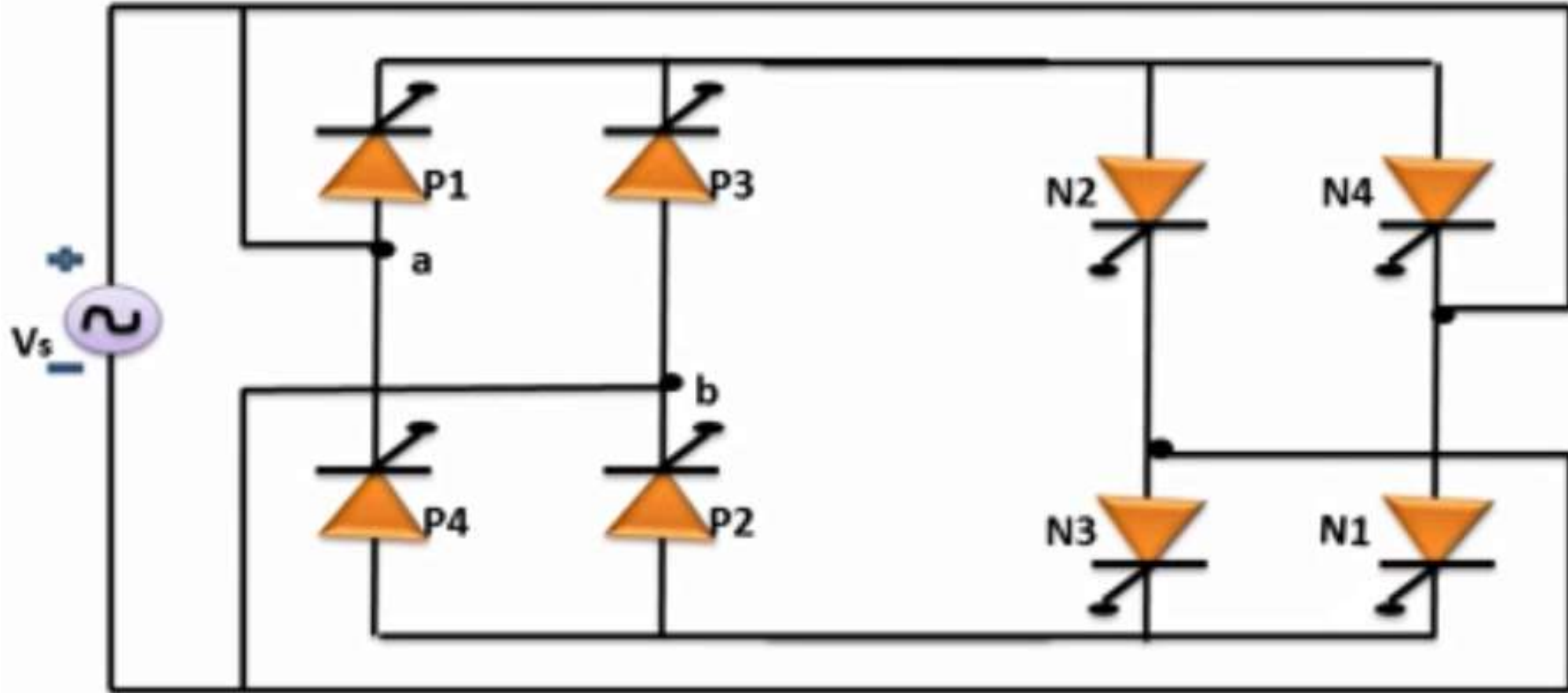




Single Phase Cycloconverter

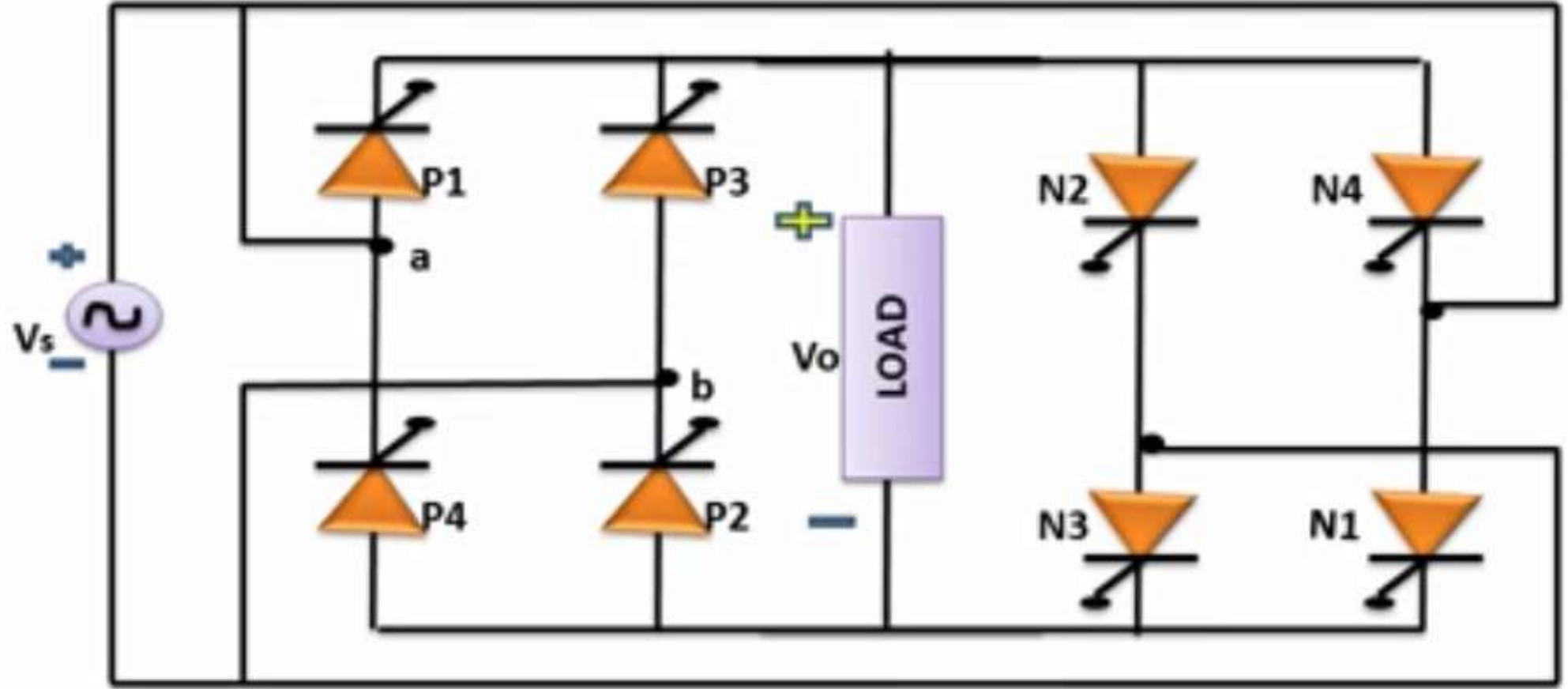


GROW



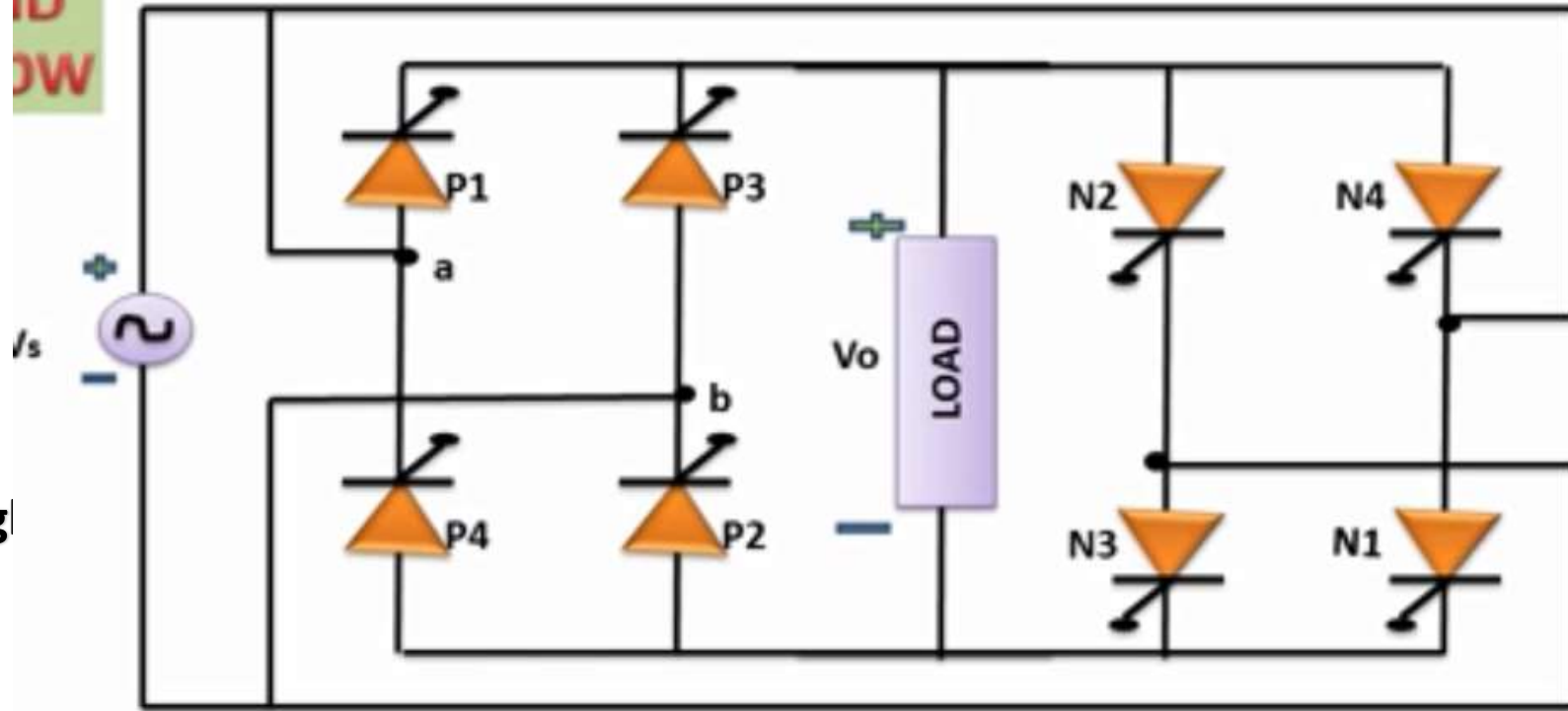


GROW

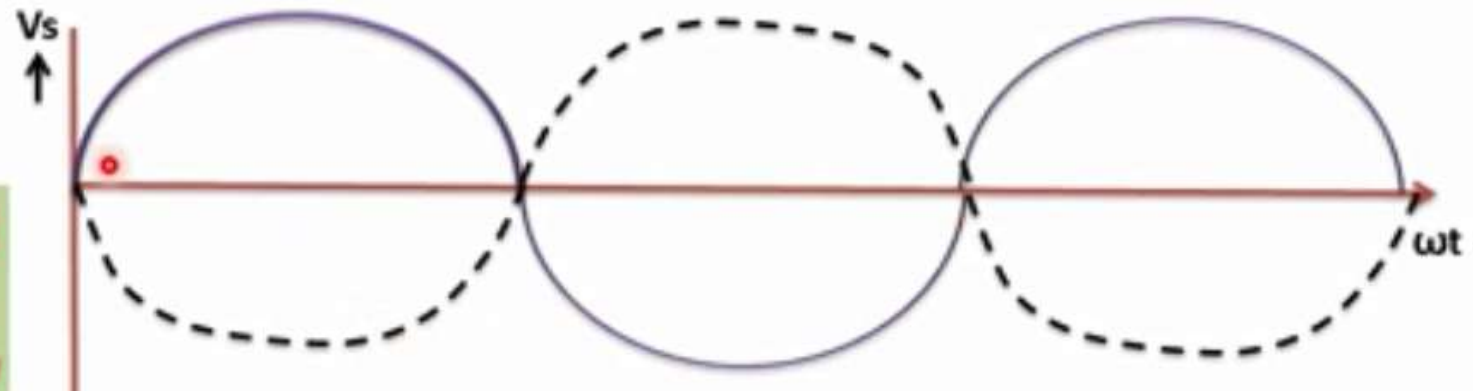




STEP UP (BRIDGE TYPE) CYCLOCONVERTER

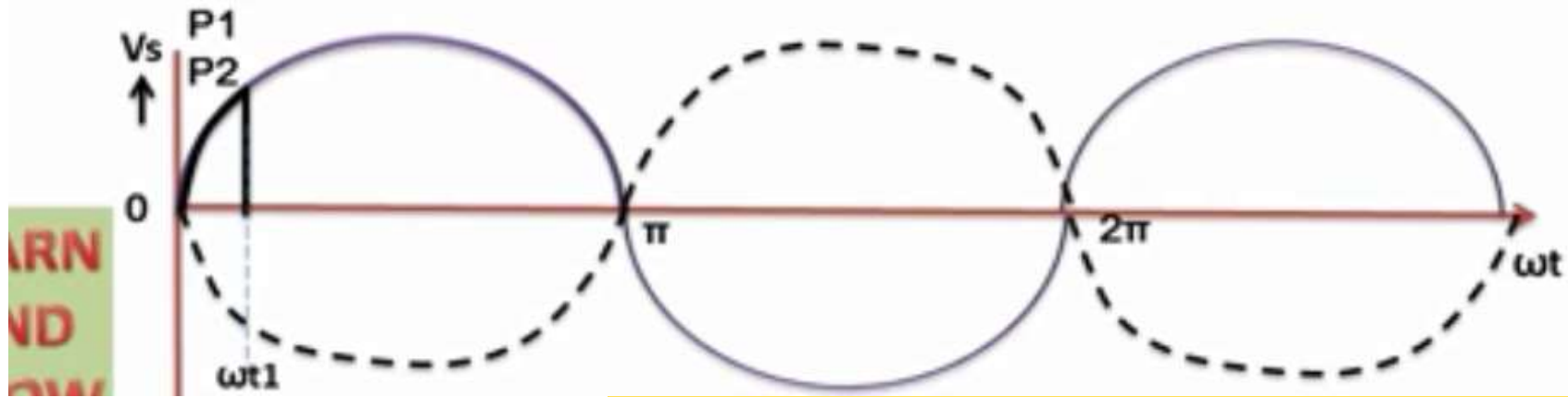
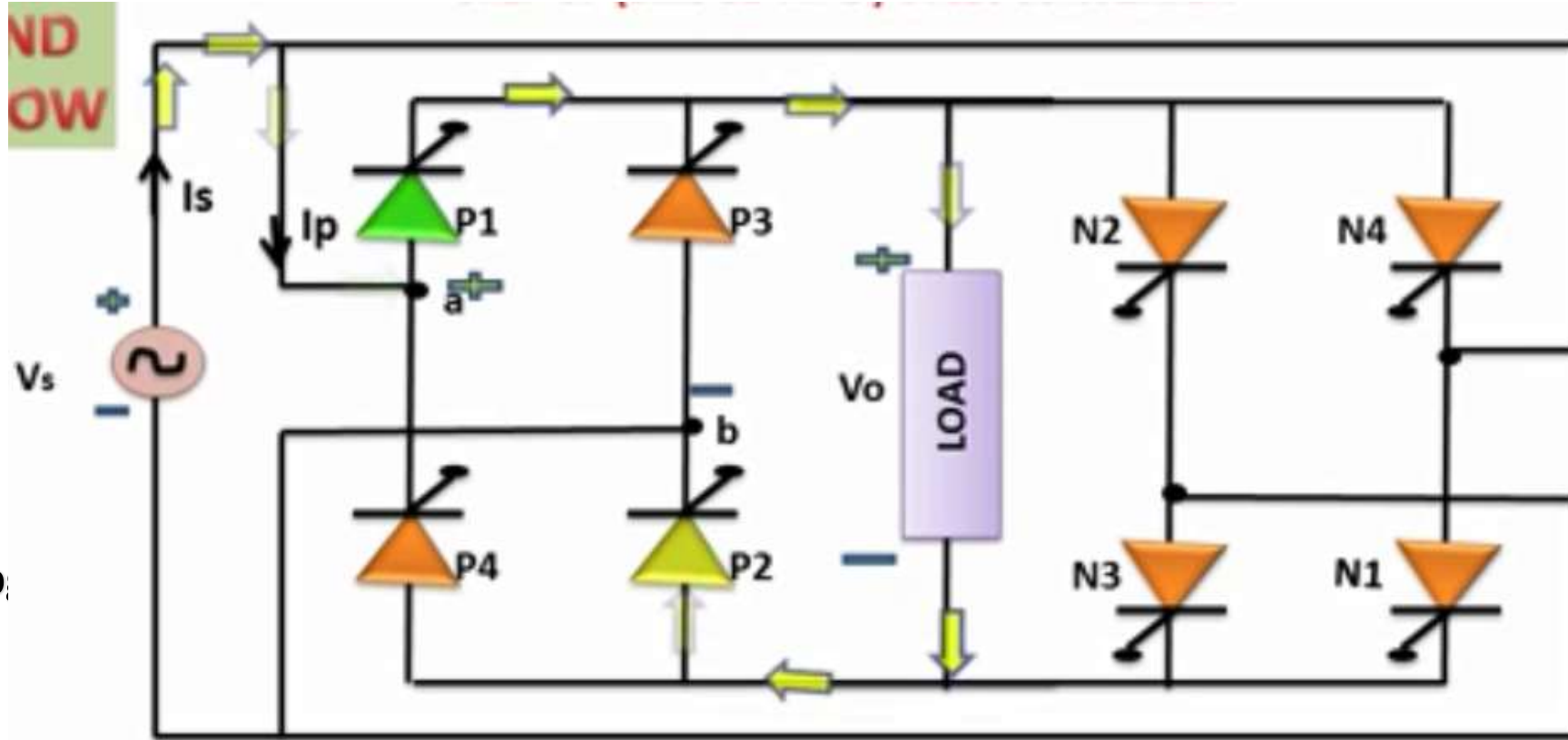


Sibg





Sib





Single Phase Full Bridge Rectifier

