



SNS COLLEGE OF TECHNOLOGY

Coimbatore-35
An Autonomous Institution

Accredited by NBA – AICTE and Accredited by NAAC – UGC with 'A+' Grade
Approved by AICTE, New Delhi & Affiliated to Anna University, Chennai



DEPARTMENT OF ARTIFICIAL INTELLIGENCE AND MACHINE LEARNING

19CSB302- COMPUTER NETWORKS

UNIT-4 TRANSPORT LAYER

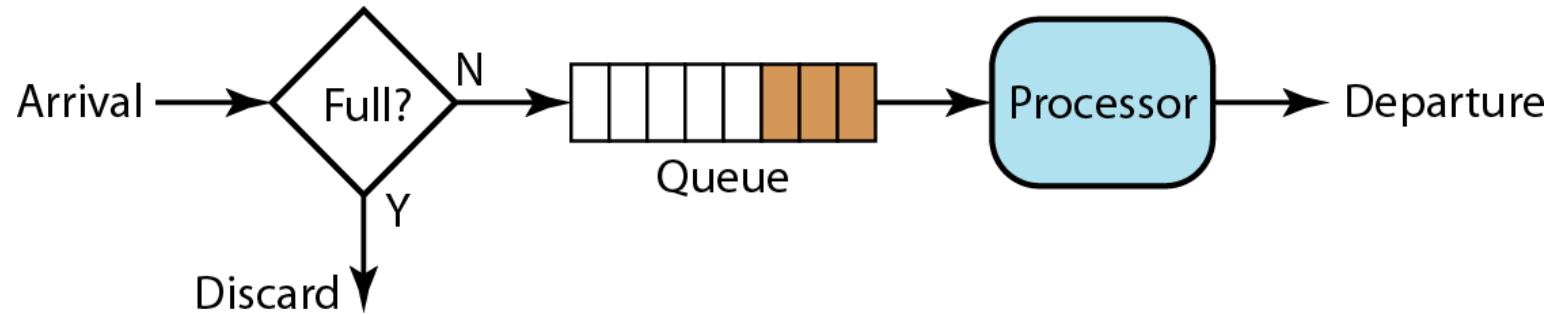


QOS



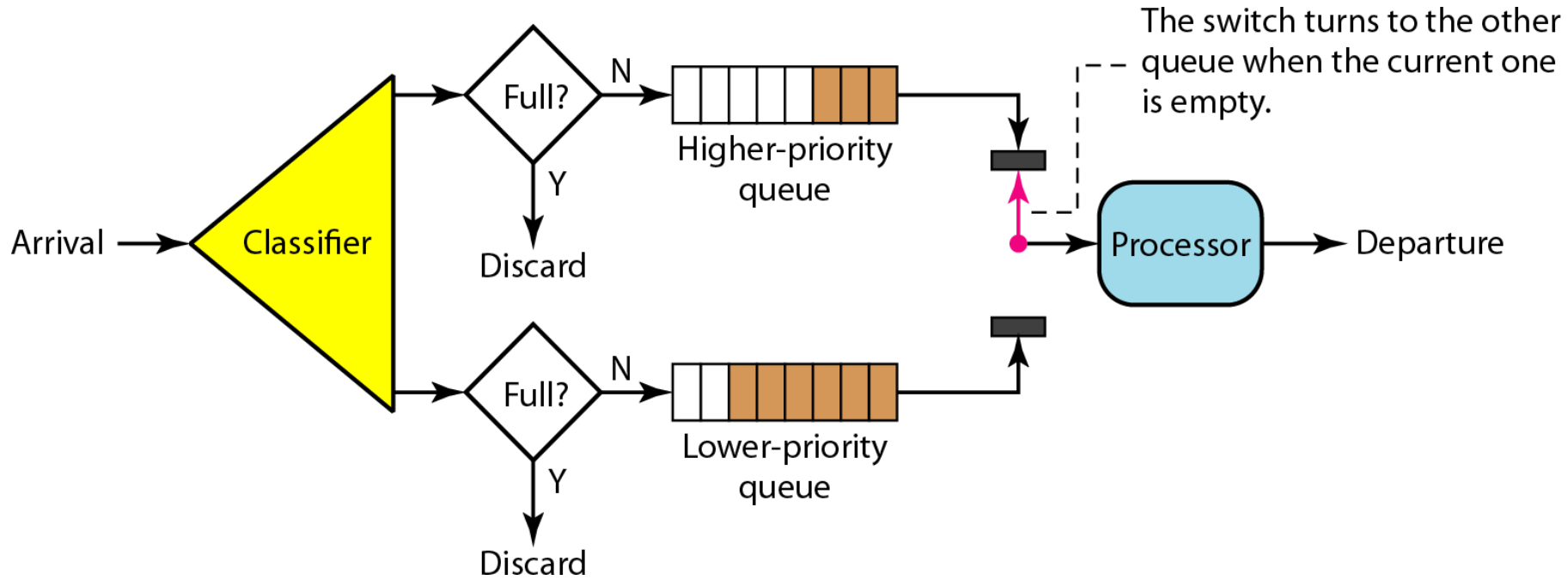
Quality of Service (QOS) determines a network's capability to support predictable service over various technologies

FIFO Queue



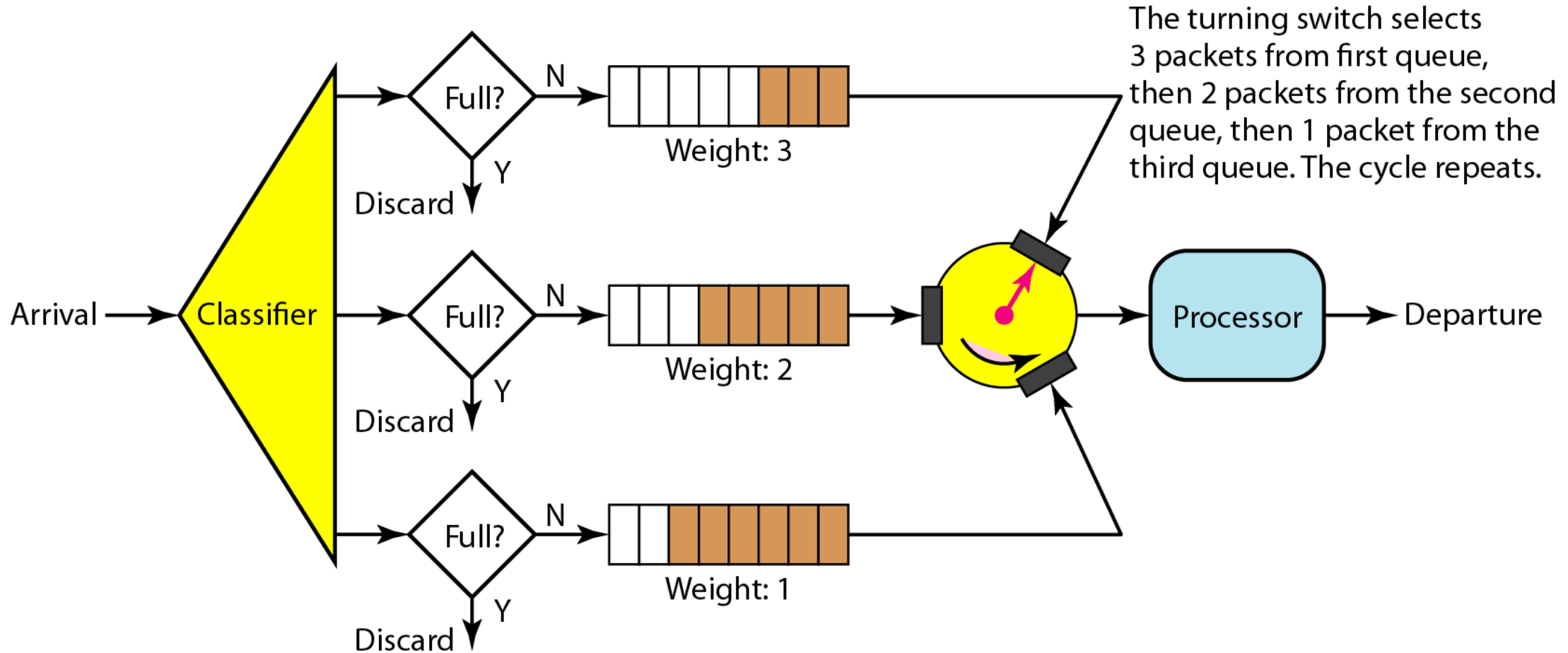


Priority Queuing



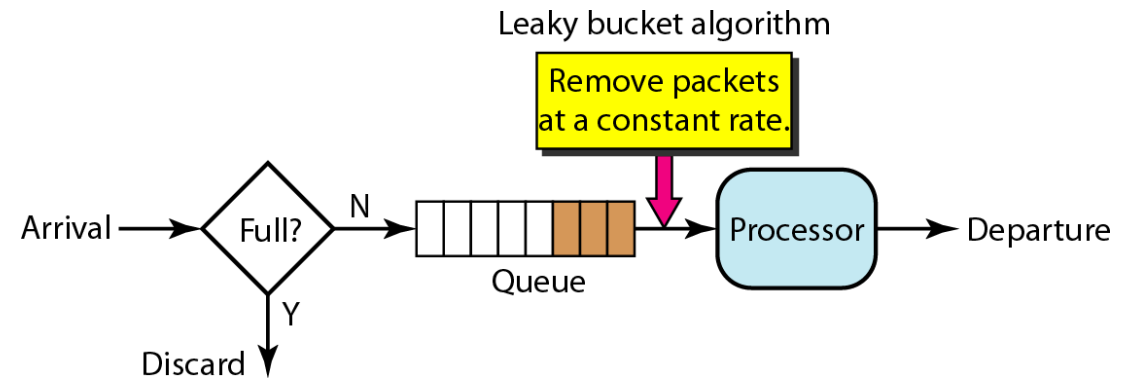
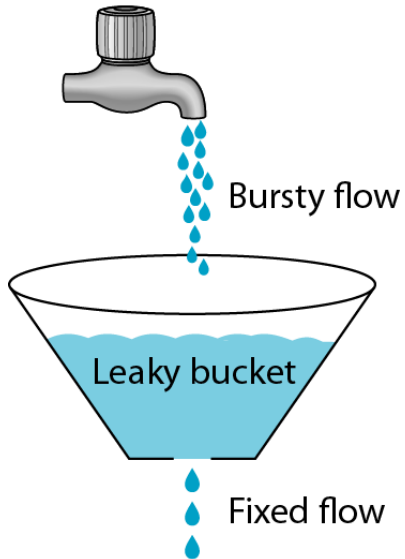


Weighted Fair Queuing





Leaky Bucket



A leaky bucket algorithm shapes bursty traffic into fixed-rate traffic by averaging the data rate. It may drop the packets if the bucket is full.