



# SNS COLLEGE OF TECHNOLOGY

Coimbatore-35  
An Autonomous Institution

Accredited by NBA – AICTE and Accredited by NAAC – UGC with 'A+' Grade  
Approved by AICTE, New Delhi & Affiliated to Anna University, Chennai

## DEPARTMENT OF MECHATRONICS

### **19MCB302 – INDUSTRIAL ELECTRONICS & APPLICATION** III YEAR V SEM

#### UNIT 3 – DC TO DC CONVERTER

#### TOPIC – Step Up Chopper

Mr. M.Anand., M.E.,(Ph.D.,)

ASSISTANT PROFESSOR,

DEPARTMENT OF MECHATRONICS,

SNSCT, Coimbatore.





# APPLICATION

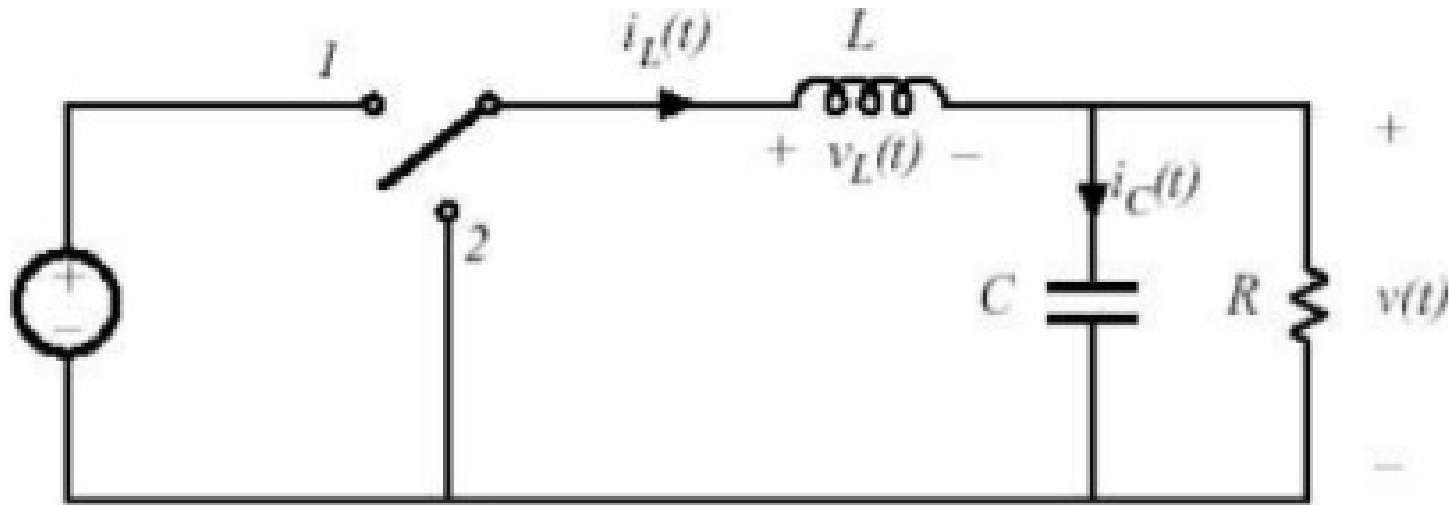


**LEARN  
AND  
GROW**

**LEARN  
AND  
GROW**

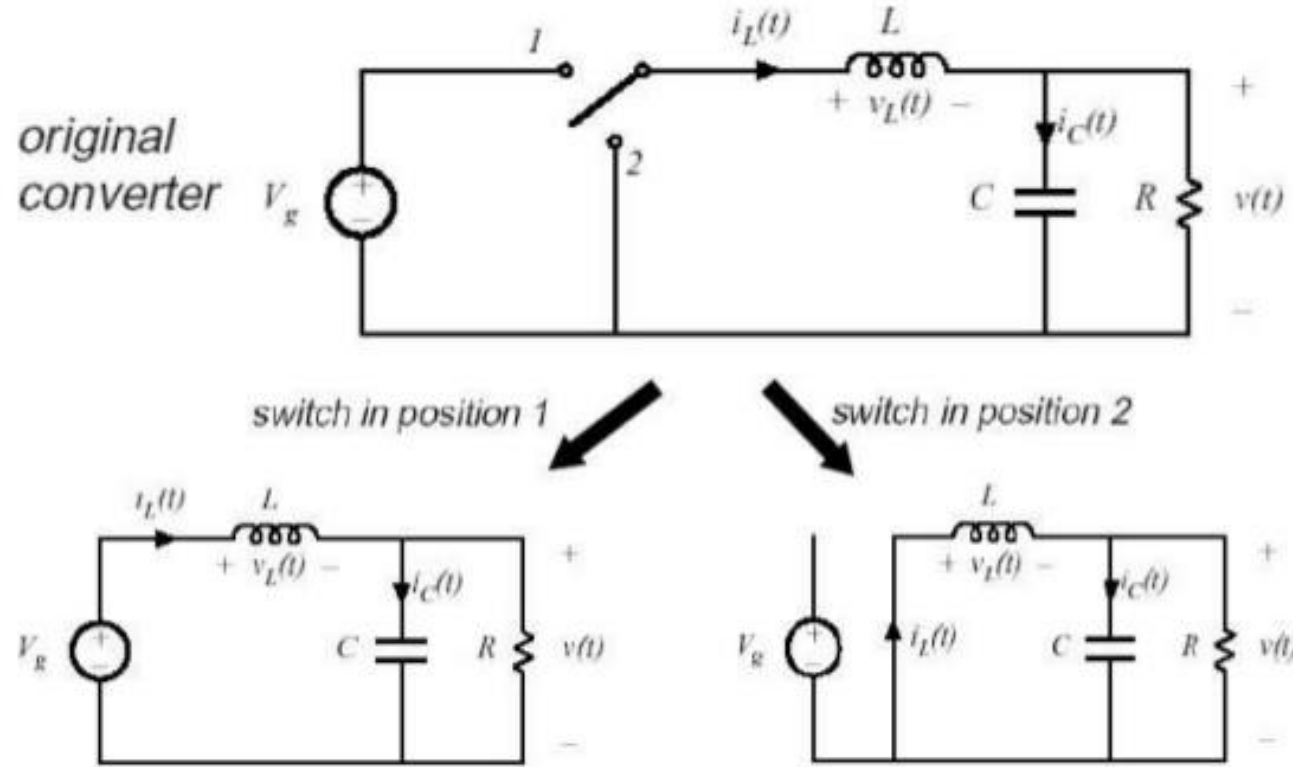


## Assessment - Draw the equivalent circuit for the Following.





# Buck converter (Step-down converter)



A. K. Gautam





## References

1. [https://www.tutorialspoint.com/power\\_electronics/power\\_electronics\\_introduction.htm#:~:text=Power%20Electronics%20refers%20to%20the,efficiency%20and%20reliability%20is%20100%25.](https://www.tutorialspoint.com/power_electronics/power_electronics_introduction.htm#:~:text=Power%20Electronics%20refers%20to%20the,efficiency%20and%20reliability%20is%20100%25.)
2. <http://www.egr.unlv.edu/~eebag/EE-442-642%20Introduction%20F14.pdf>
3. <https://www.youtube.com/watch?v=djbJm-xWo2w>
4. <https://www.youtube.com/watch?v=jx5l2Fbil8U>

