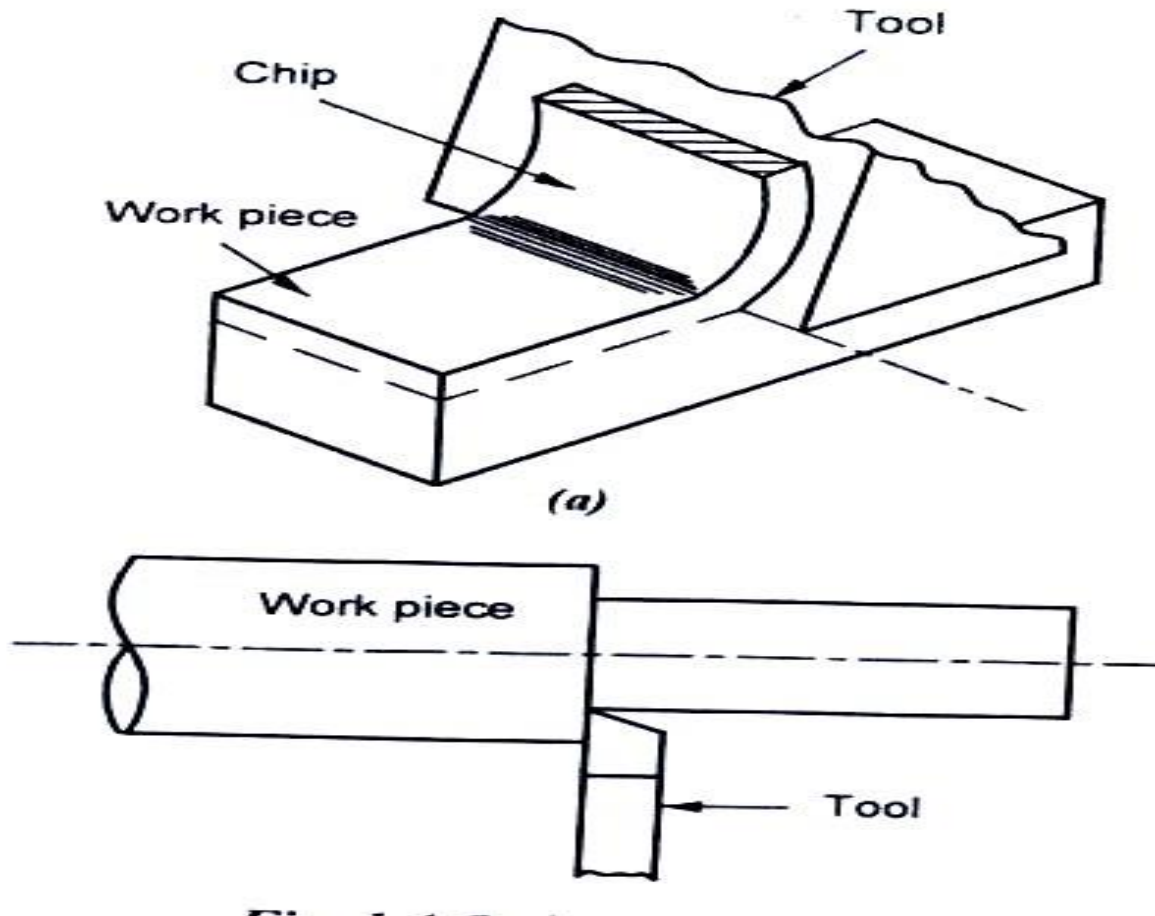
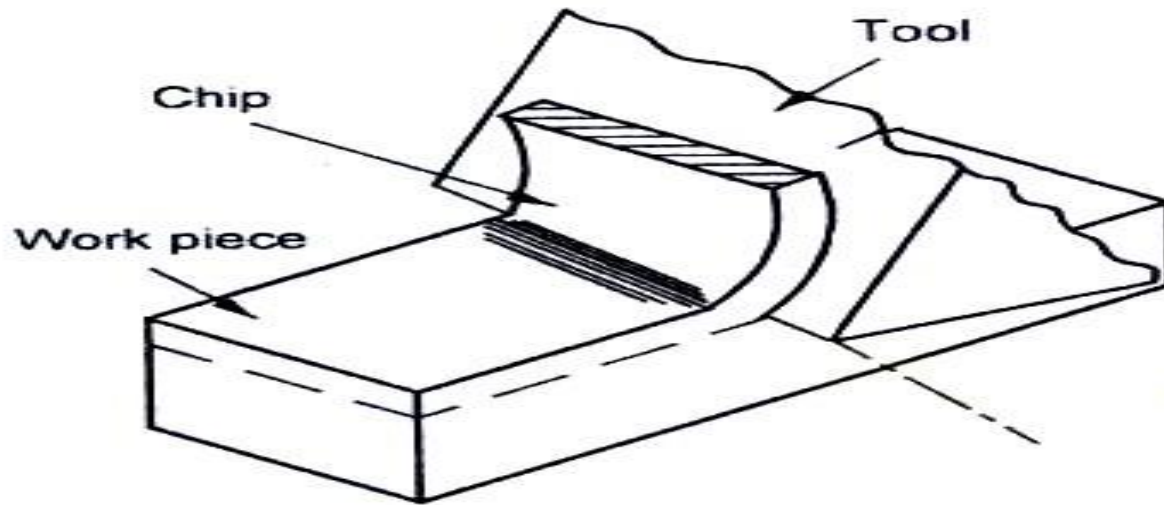


ORTHOGONAL CUTTING

Orthogonal Cutting Process



OBLIQUE CUTTING



(a)

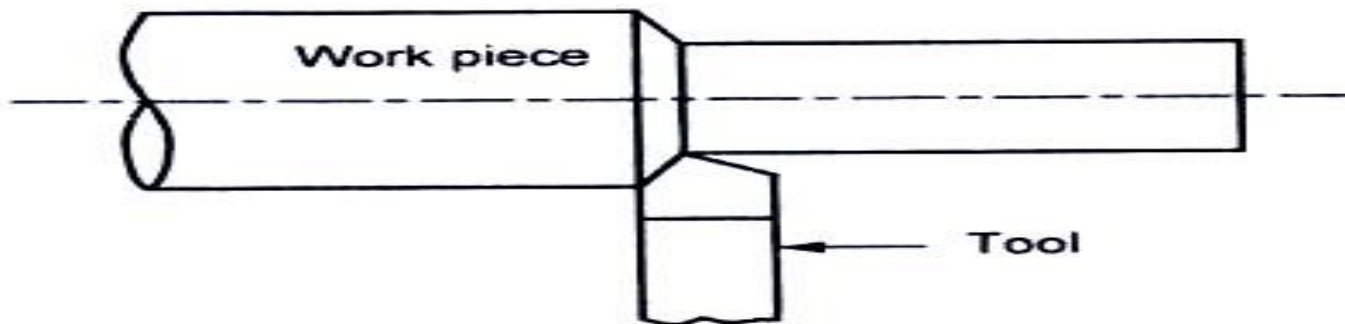


Fig. 1.5 Oblique cutting

CLASSIFICATION OF CUTTING TOOLS

- ✓ Single Point Cutting Tool
- ✓ Multi Point Cutting Tool