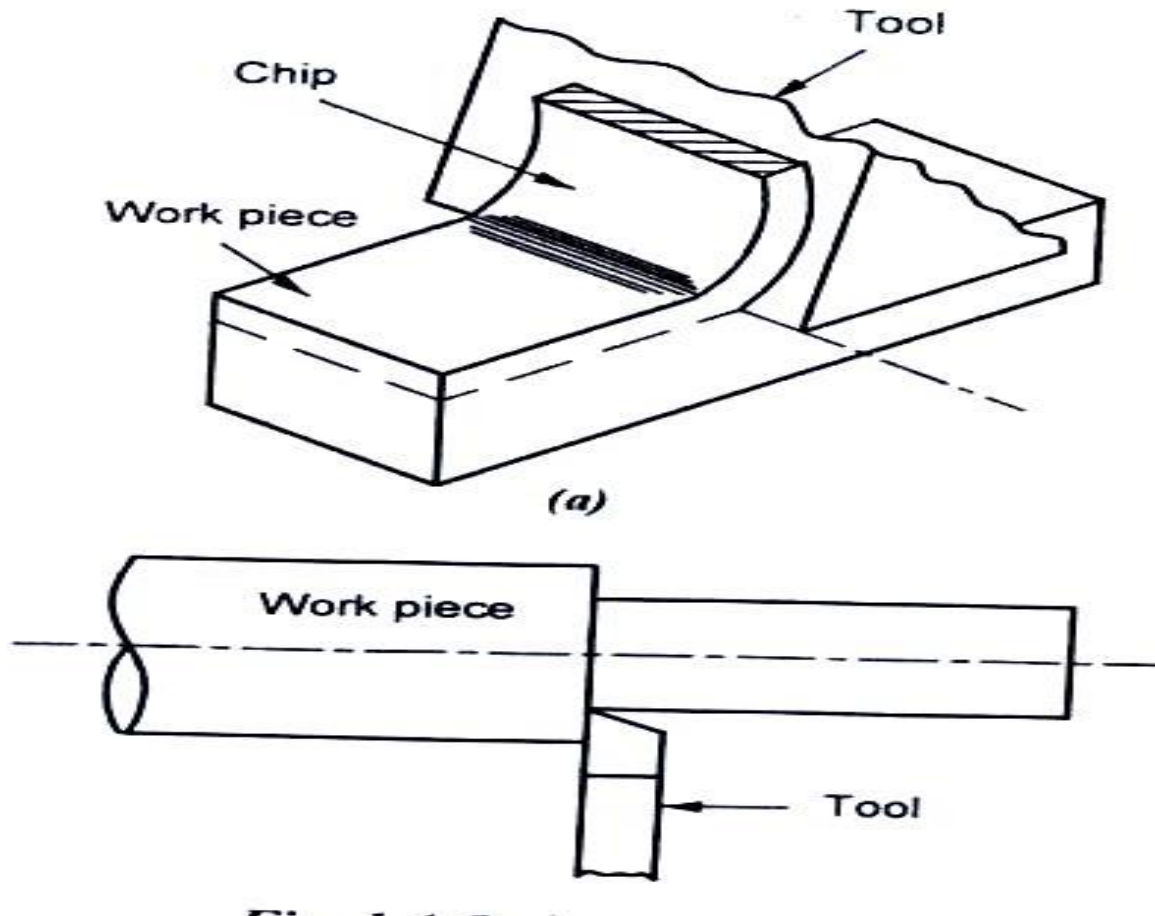
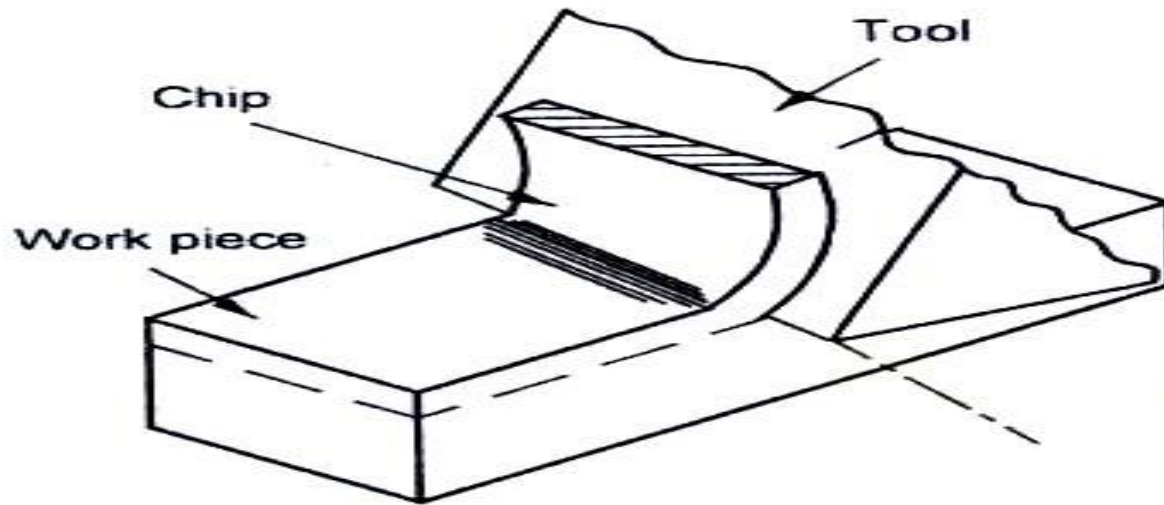


# ORTHOGONAL CUTTING

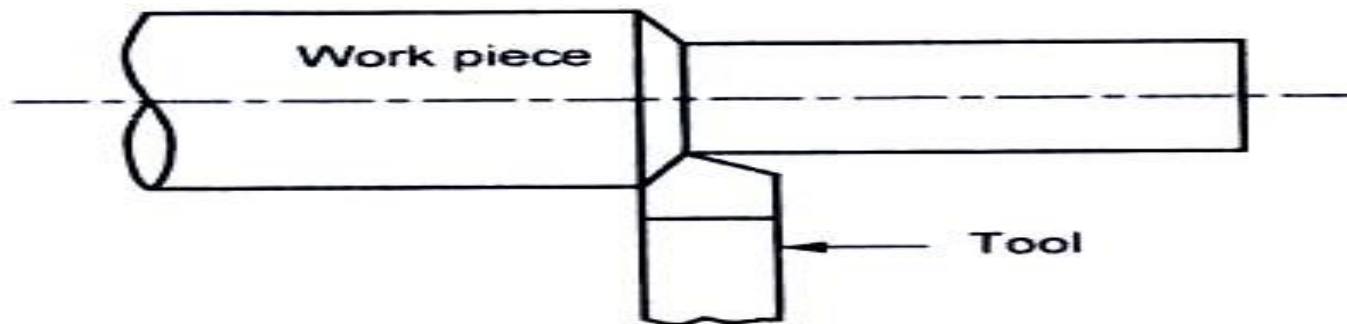
## Orthogonal Cutting Process



# OBLIQUE CUTTING



(a)



**Fig. 1.5 Oblique cutting**

# CLASSIFICATION OF CUTTING TOOLS

- ✓ Single Point Cutting Tool
- ✓ Multi Point Cutting Tool