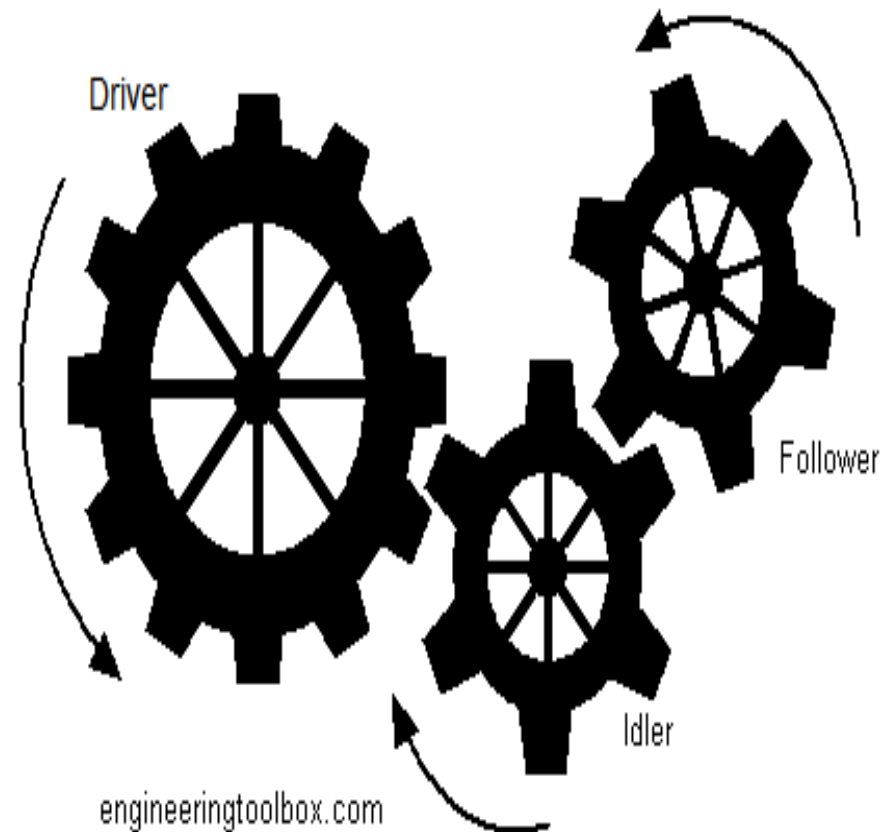


WHY WE USE IDLER GEAR ?

- The only function of the idler gear is to change the direction of rotation.
- It has no affect on the gear ratio.



ADVANTAGES OF SIMPLE GEAR TRAIN

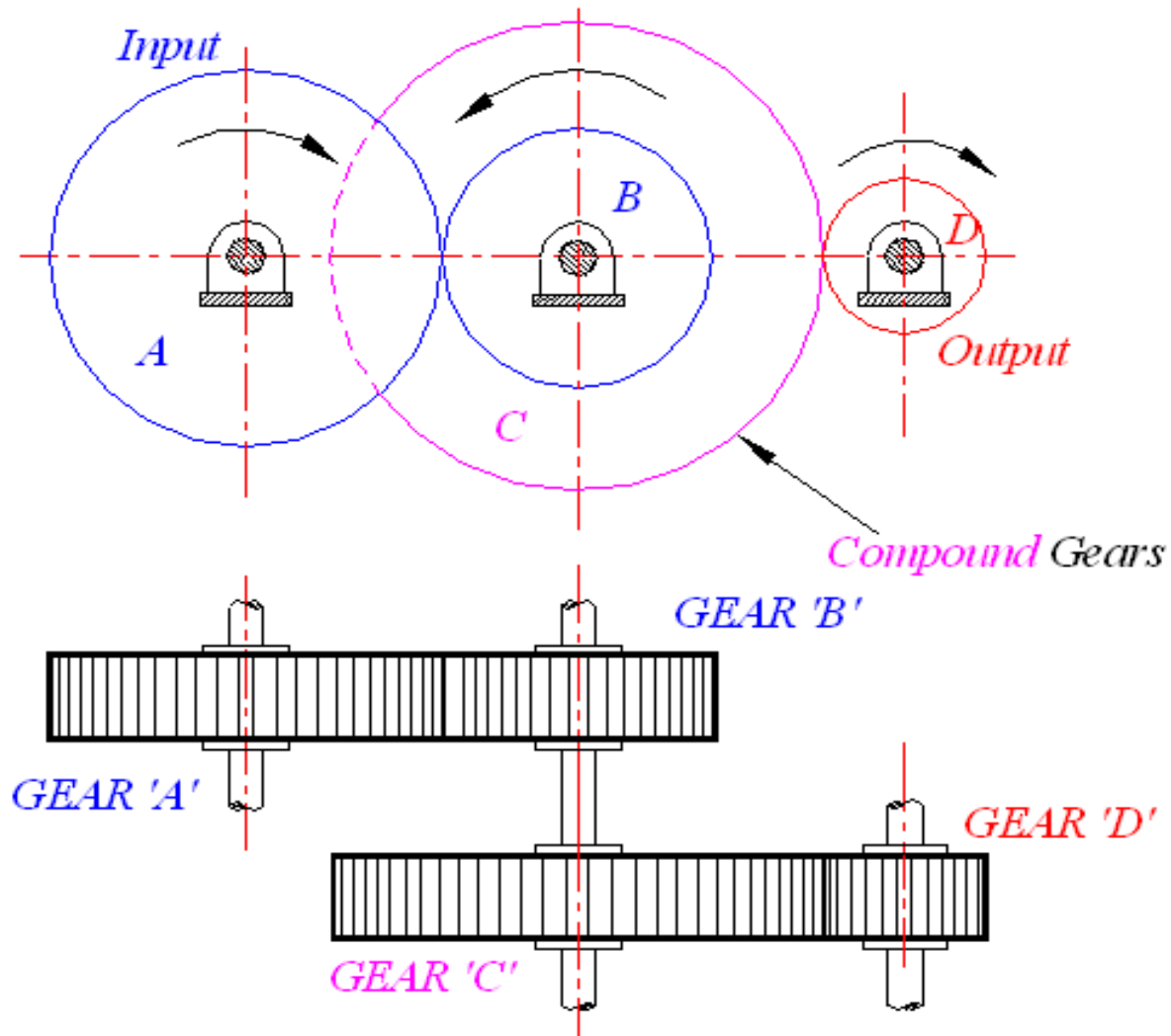
- to connect gears where a large center distance is required
- to obtain desired direction of motion of the driven gear (CW or CCW)
- to obtain high speed ratio

COMPOUND GEAR TRAIN

➤ When there are more than one gear on a shaft, it is called a



COMPOUND GEAR TRAIN



ADVANTAGES OF COMPOUND GEAR TRAIN

- A much larger speed reduction from the first shaft to the last shaft can be obtained with small gear.
- If a simple gear trains used to give a large speed reduction, the last gear has to be very large.