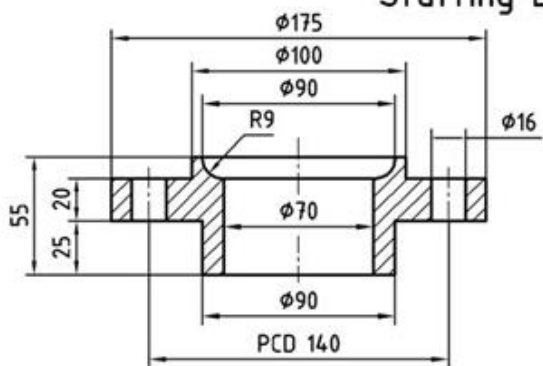


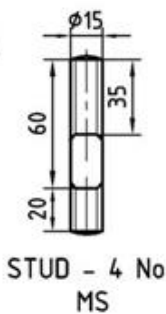
BILL OF MATERIALS

PART NO	NAME	MATERIAL	NO. OFF
01.	GLAND	CI	1
02.	BODY	CI	1
03.	STUD	MS	2
04.	NUT & LOCK NUT	MS	2
05.	BUSH	BRASS	1

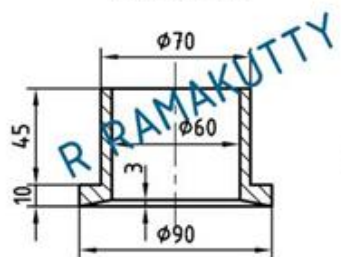
Stuffing Box (II)



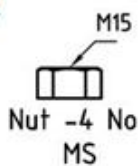
GLAND - CI



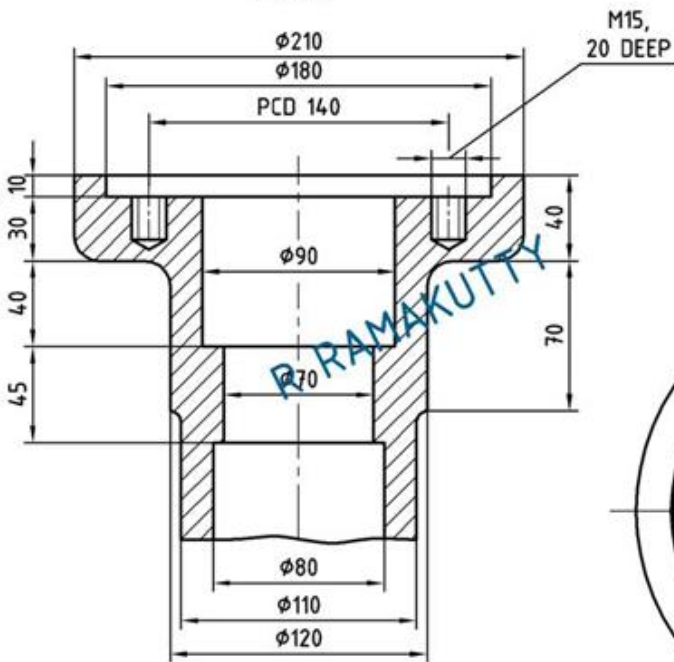
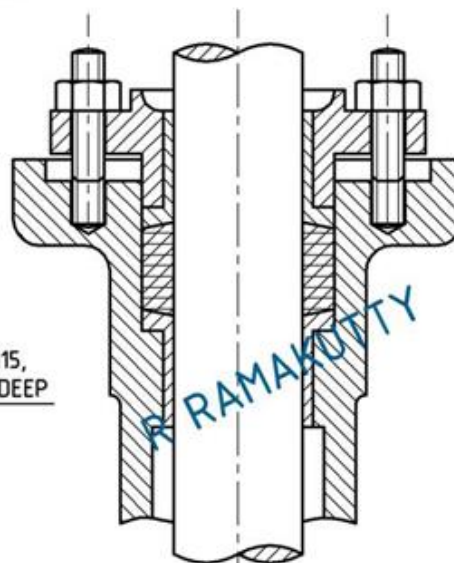
STUD - 4 No
MS



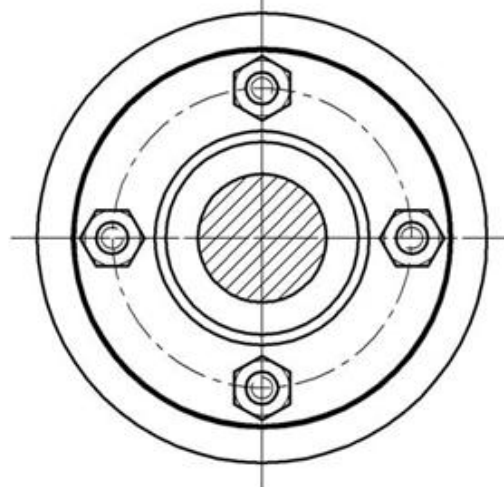
BUSH - 2 No.
BRASS



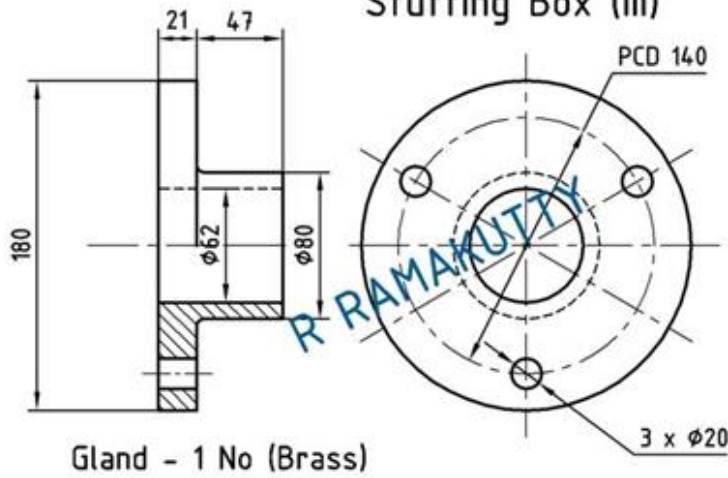
Nut - 4 No
MS



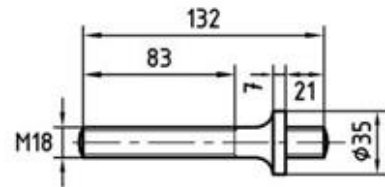
BODY - CI



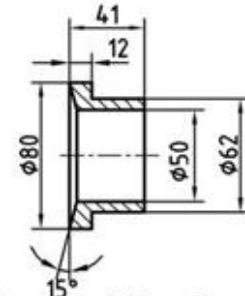
Stuffing Box (III)



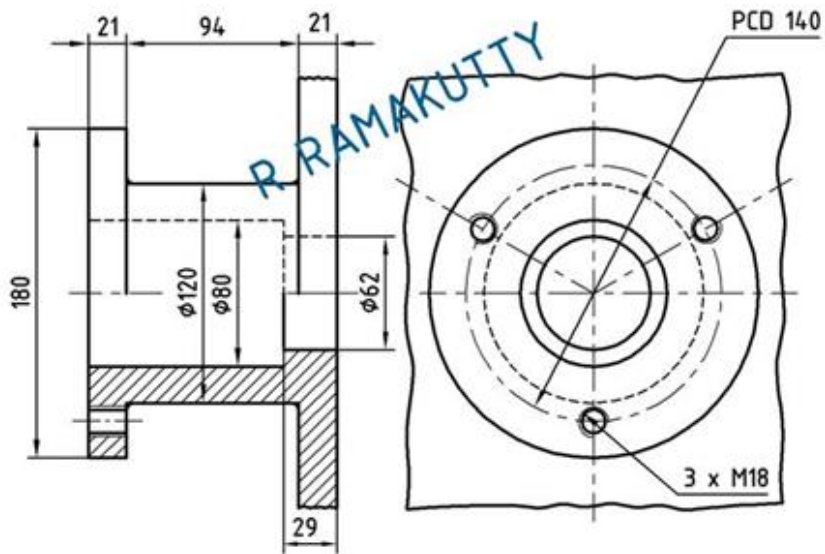
Gland - 1 No (Brass)



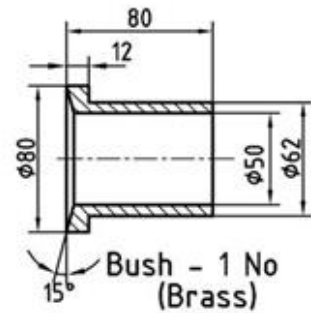
Stud - 3 No (MS)



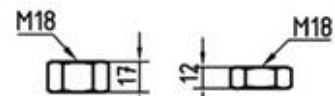
Bush - 1 No (Brass)



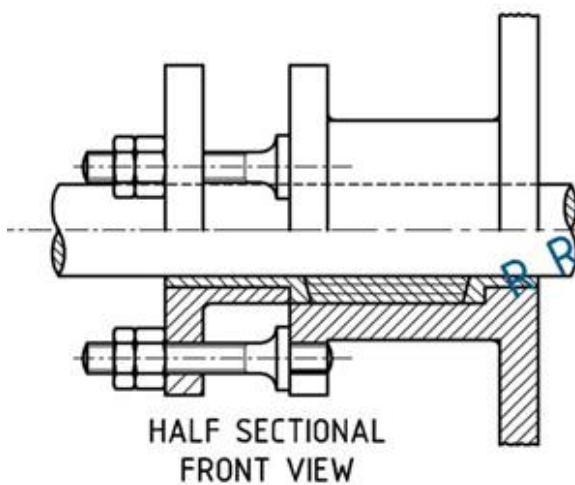
Body - 1 No (CI)



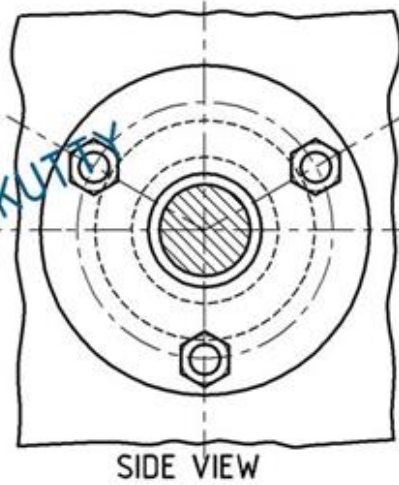
Bush - 1 No (Brass)



Nut & Lock Nut - 3 No (MS)



HALF SECTIONAL FRONT VIEW



SIDE VIEW

