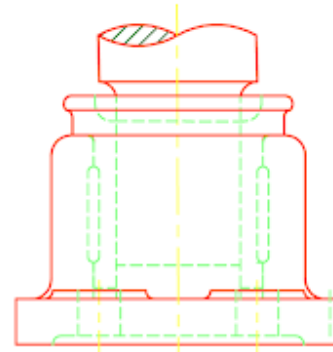
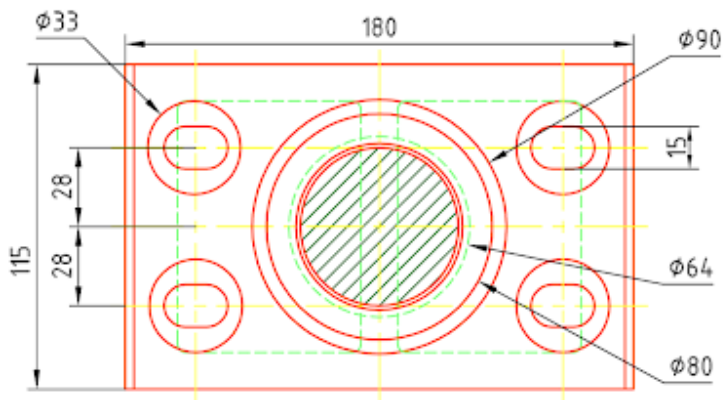


Sectional Front View



Side View



Top View

S.No.	PART NAME	MATERIAL	NO. OFF
1.	BODY	CAST IRON	1
2.	BUSH	BRASS	1
3.	DISC OR PAD	BRASS	1
4.	SHAFT	STEEL	1

FOOTSTEP BEARING

