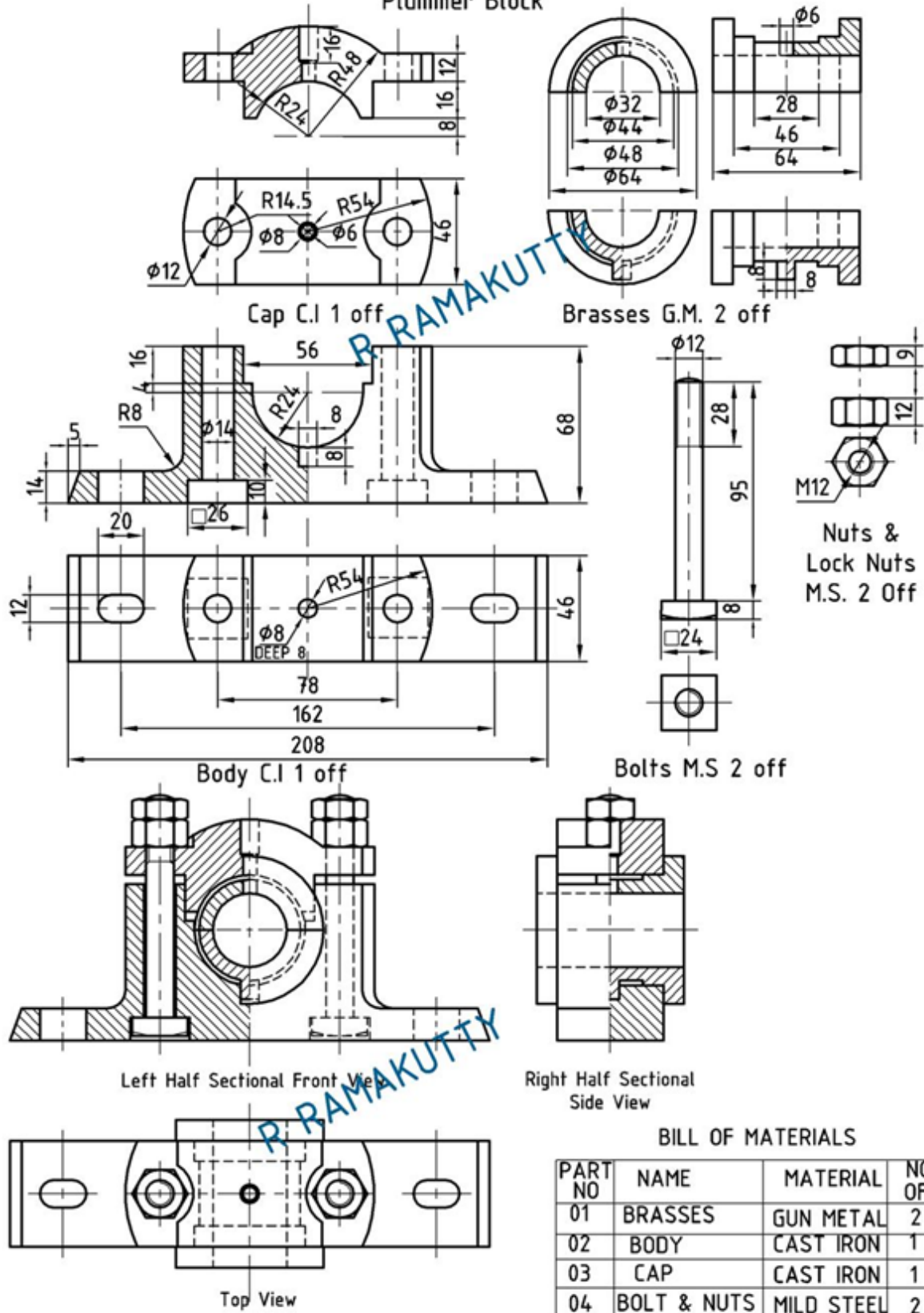


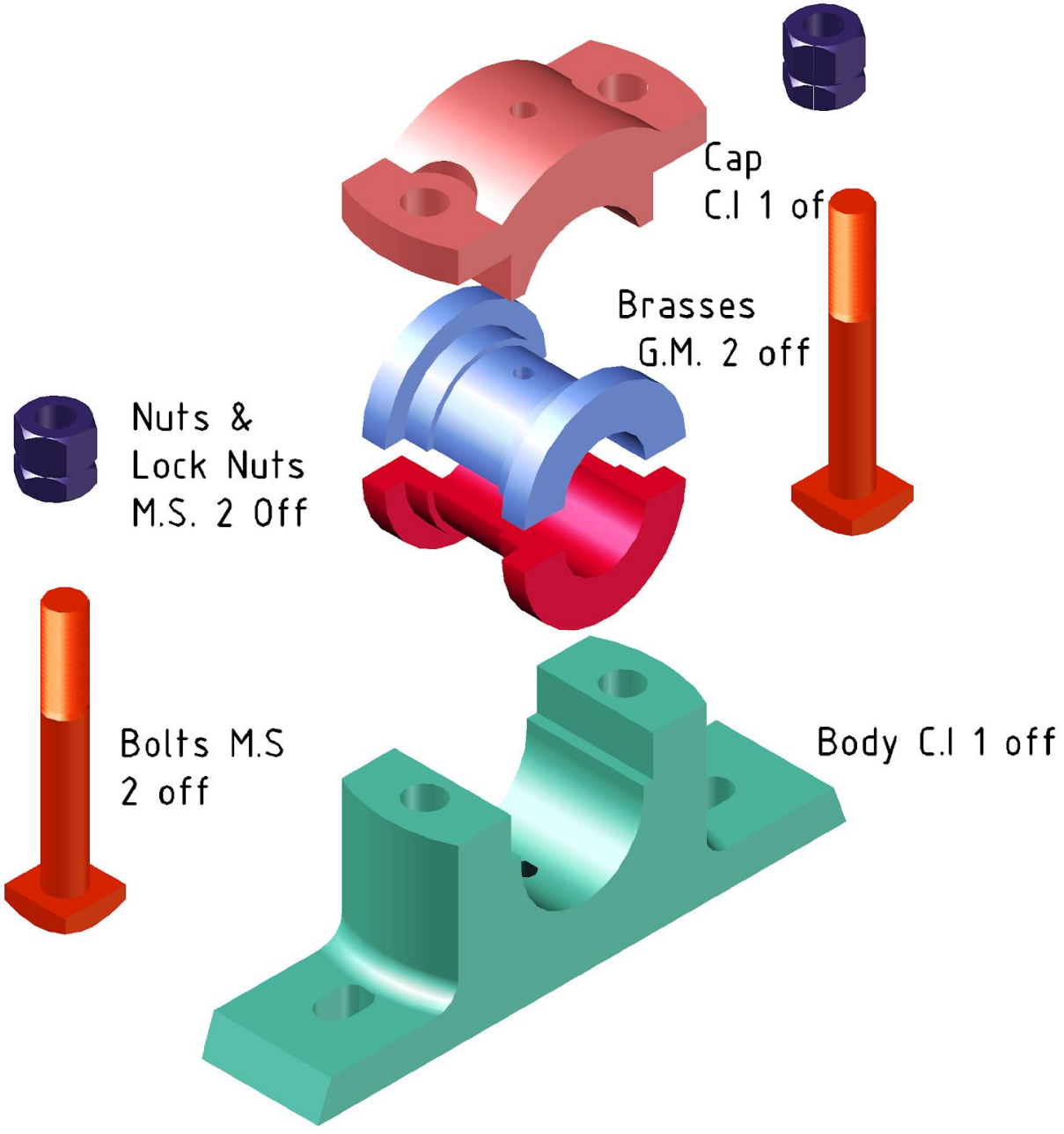
Plummer Block



BILL OF MATERIALS

PART NO	NAME	MATERIAL	NO OFF
01	BRASSES	GUN METAL	2
02	BODY	CAST IRON	1
03	CAP	CAST IRON	1
04	BOLT & NUTS	MILD STEEL	2

Assembly drawing of Plummer Block



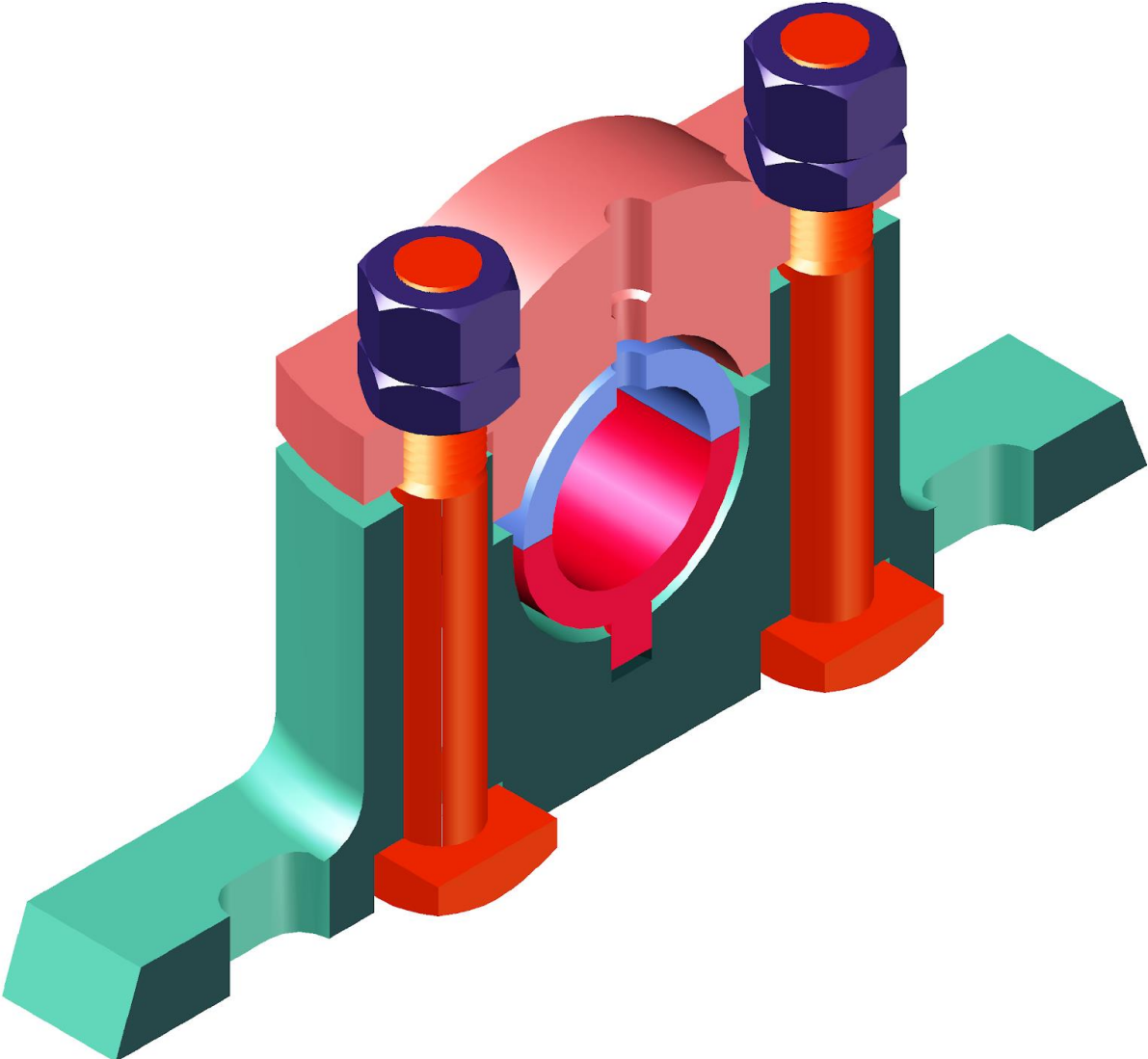
Cap
C.I. 1 of

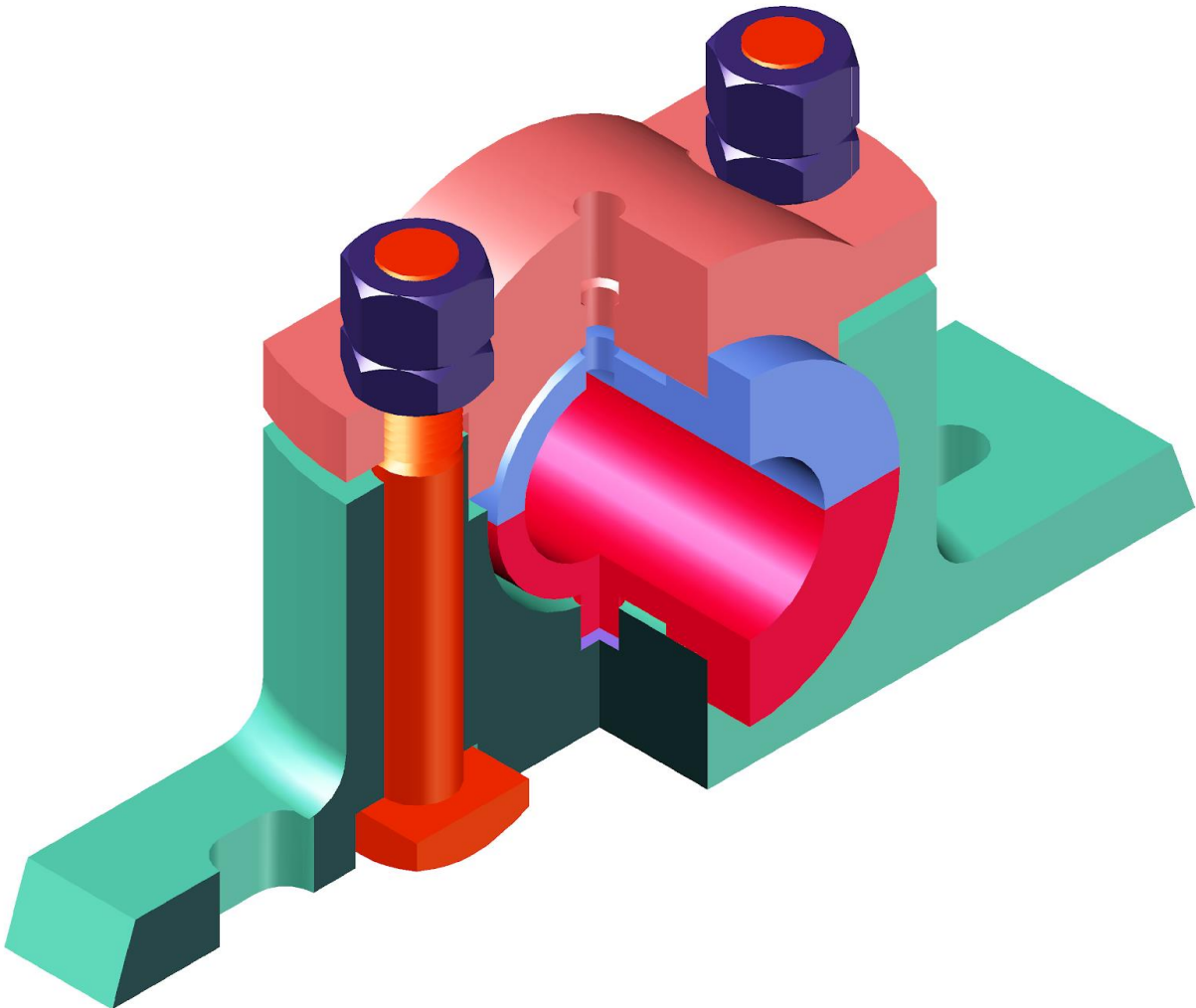
Brasses
G.M. 2 off

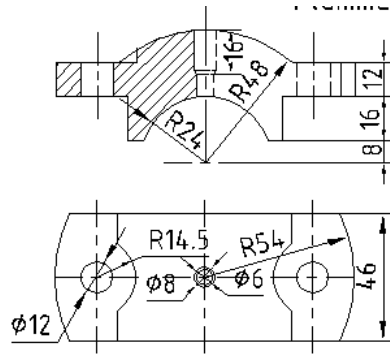
Nuts &
Lock Nuts
M.S. 2 Off

Bolts M.S
2 off

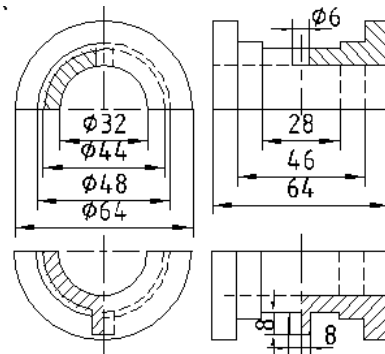
Body C.I 1 off



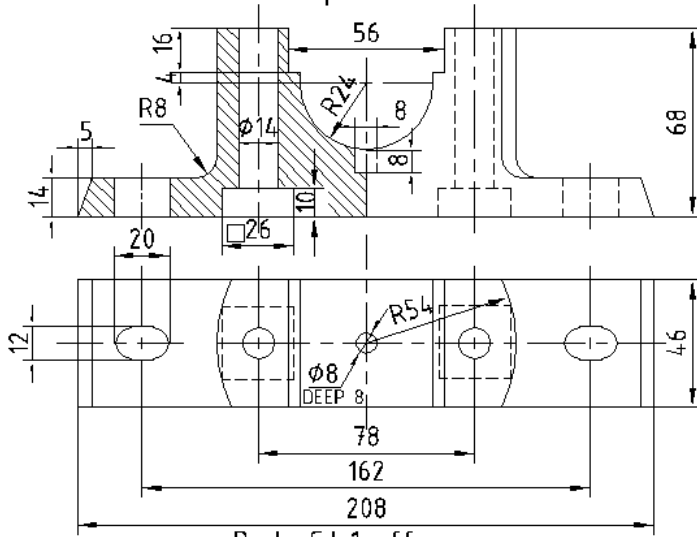




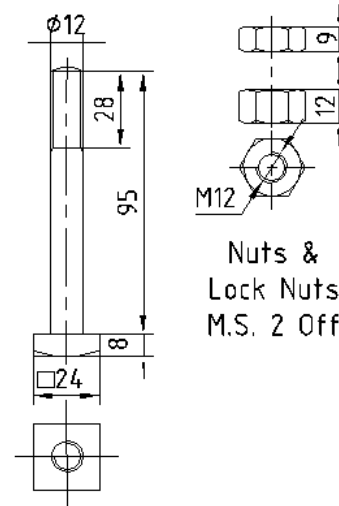
Cap C.I. 1 off



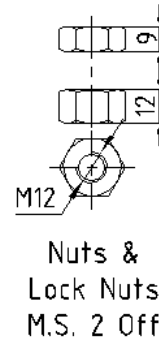
Brasses G.M. 2 off



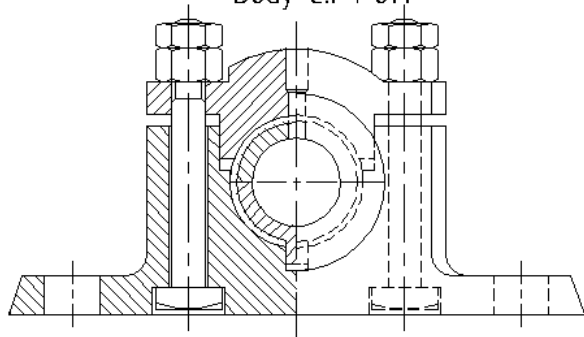
Body C.I. 1 off



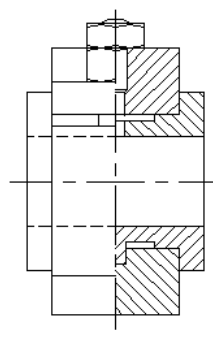
Bolts M.S. 2 off



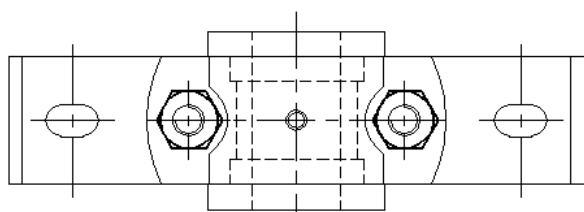
Nuts & Lock Nuts M.S. 2 Off



Left Half Sectional Front View



Right Half Sectional Side View



Top View

BILL OF MATERIALS

PART NO	NAME	MATERIAL	NO OFF
01	BRASSES	GUN METAL	2
02	BODY	CAST IRON	1
03	CAP	CAST IRON	1
04	BOLT & NUTS	MILD STEEL	2

Assembly drawing of Plummer Block

