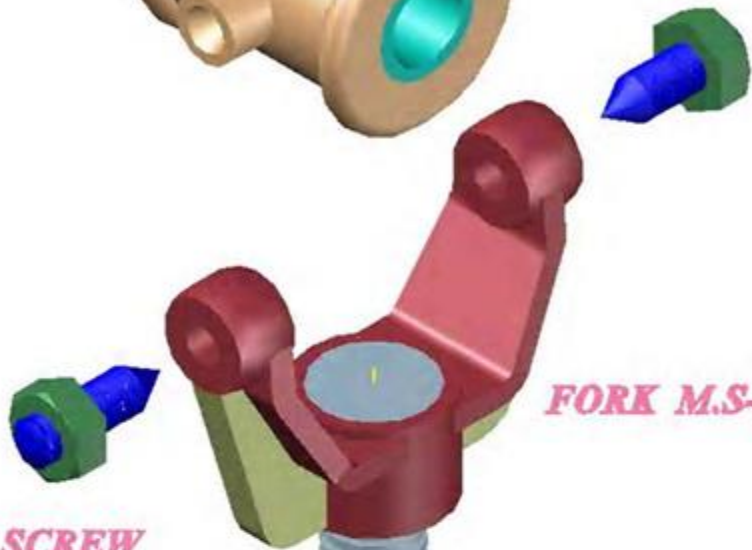




**BEARING C.I-1 OFF &  
BUSH BRASS-1 OFF**



**FORK M.S-1 OFF**

**SET SCREW  
AND  
NUT  
M.S-2 OFF**



**SPINDLE  
M.S-1 OFF**

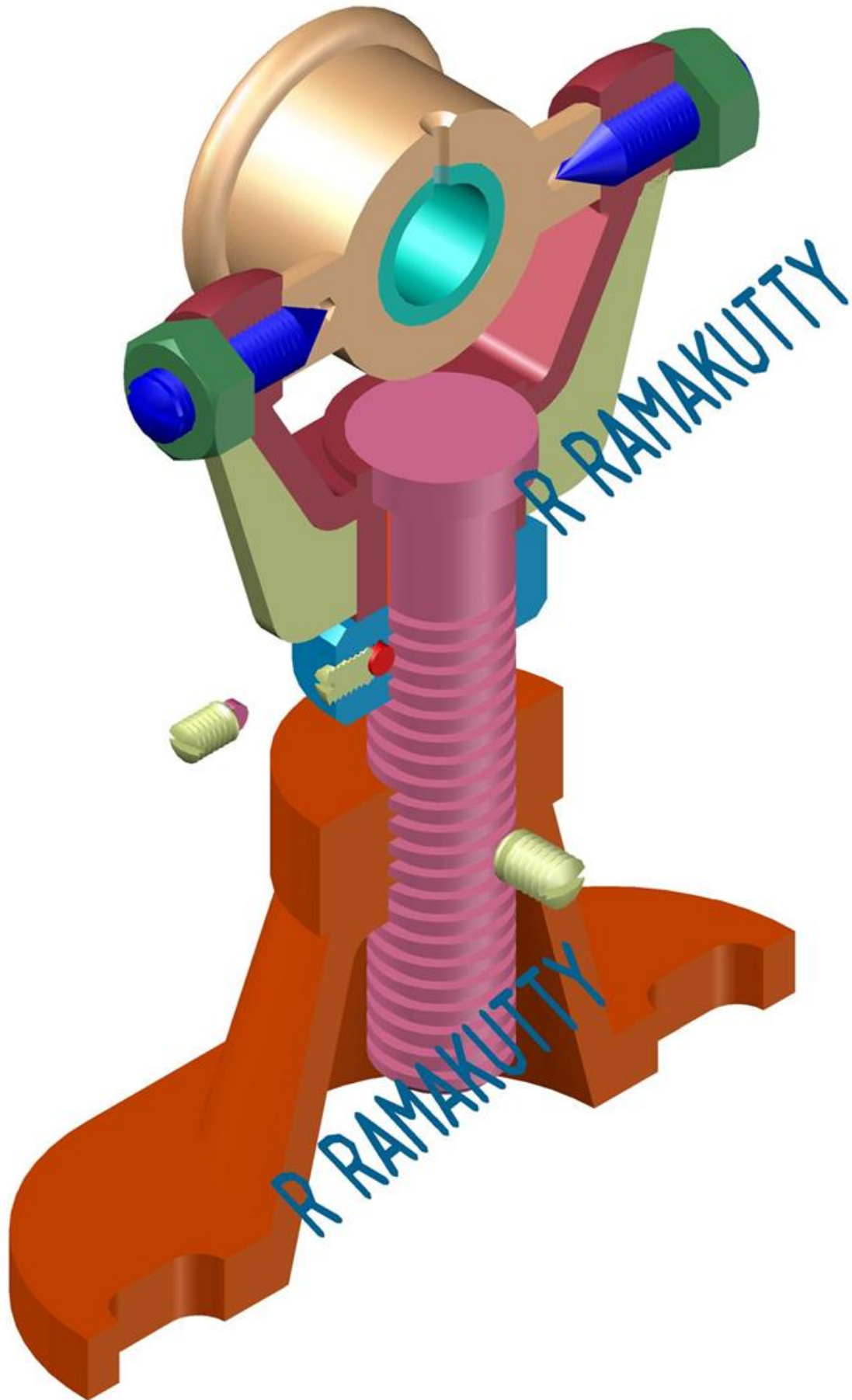


**KNURLED NUT  
M.S-1 OFF**

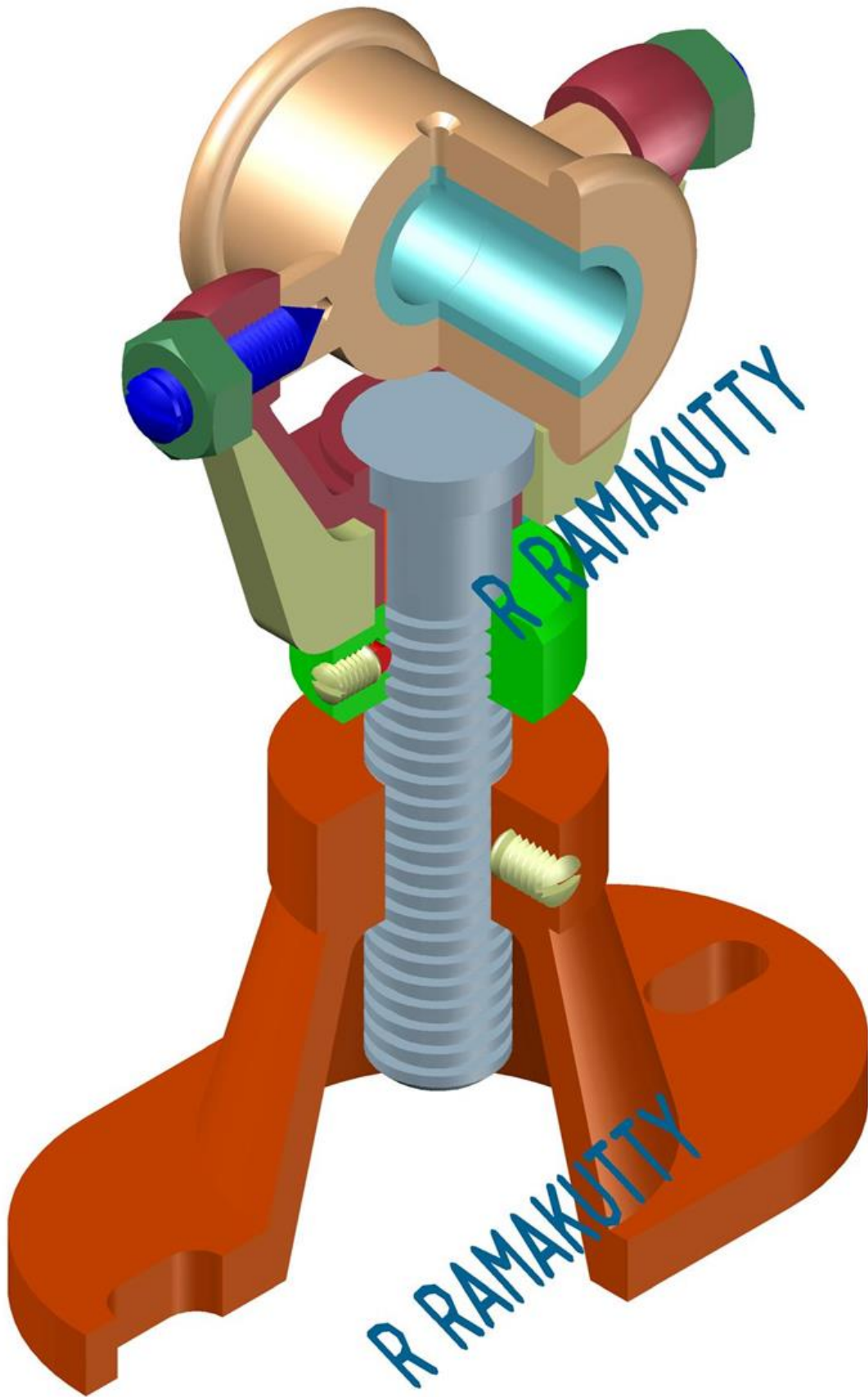
**SET SCREW  
M.S-1 OFF**



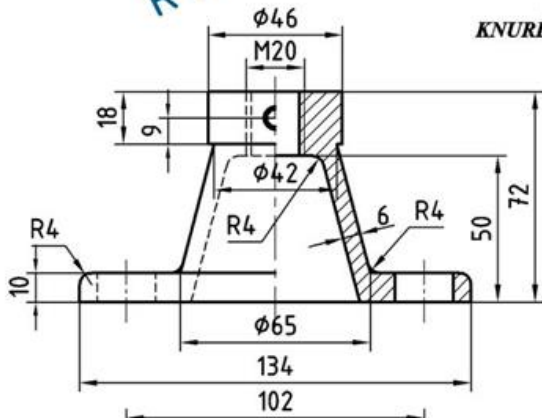
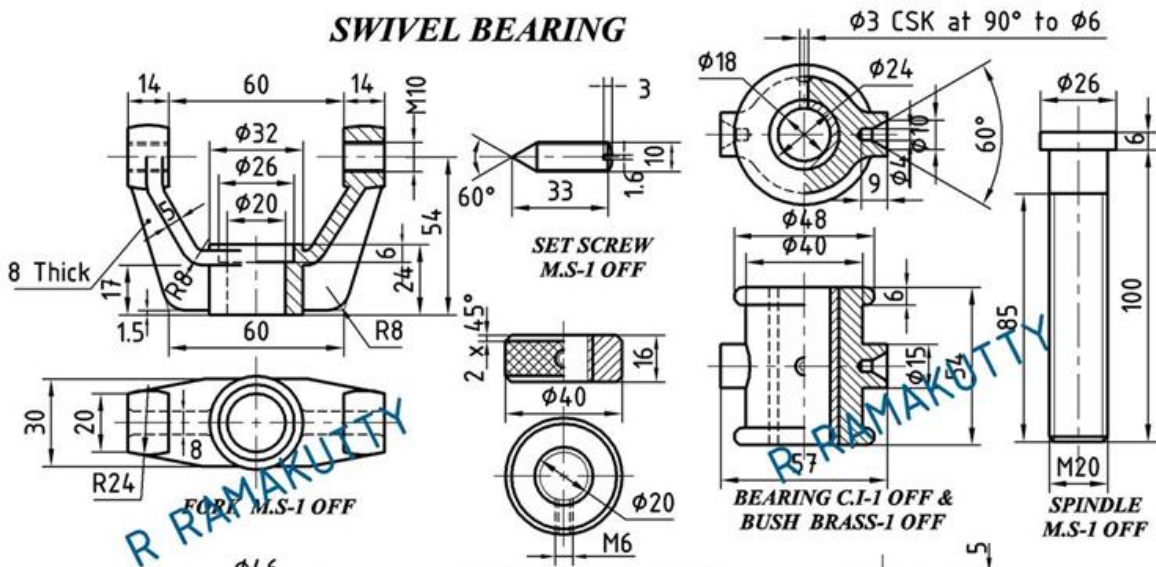




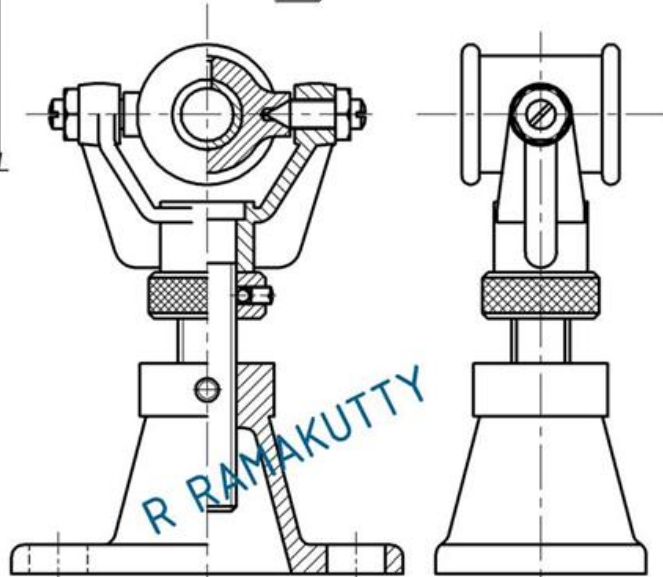
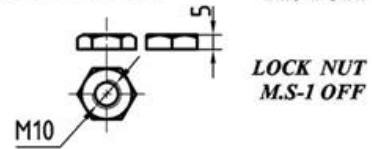




# SWIVEL BEARING

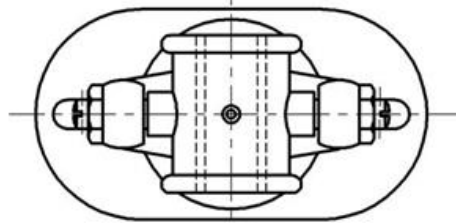


KNURLED NUT M.S-1 OFF

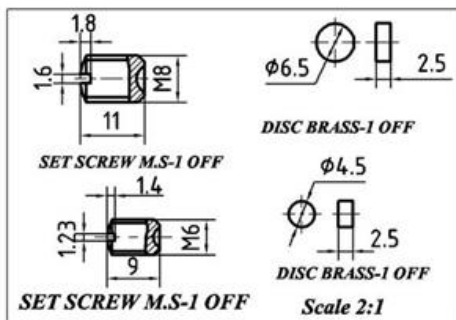


Half Sectional Elevation

Side view



Top view



Scale 2:1



# SWIVEL BEARING

