



SNS COLLEGE OF TECHNOLOGY

Coimbatore-35
An Autonomous Institution

Accredited by NBA – AICTE and Accredited by NAAC – UGC with 'A+' Grade
Approved by AICTE, New Delhi & Affiliated to Anna University, Chennai



DEPARTMENT OF AUTOMOBILE ENGINEERING

19AUT303 – Additive Manufacturing and its applications

III YEAR / V SEM

UNIT – 5 ADDITIVE MANUFACTURING APPLICATIONS

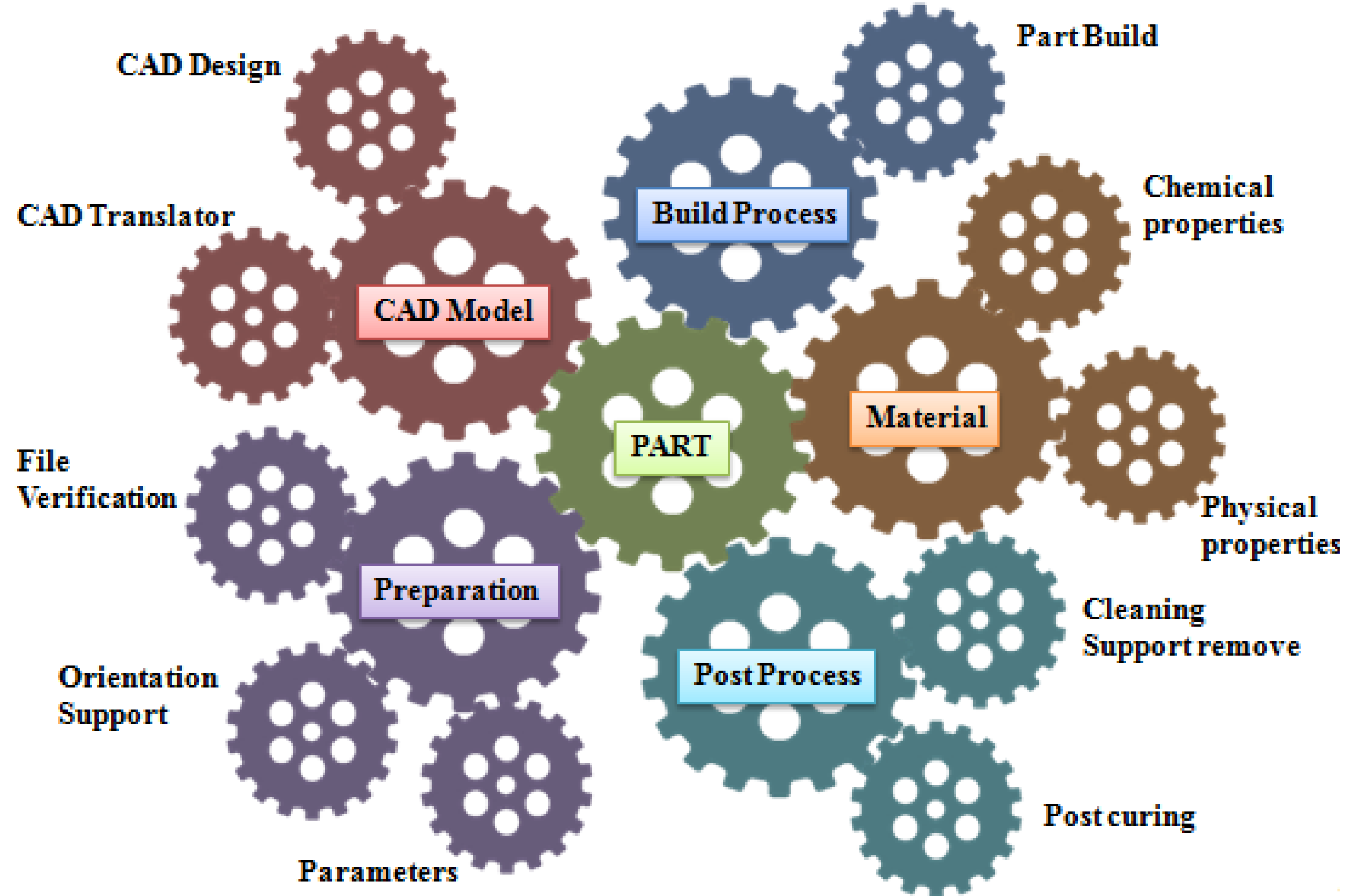
Topic – Applications of additive manufacturing in product design

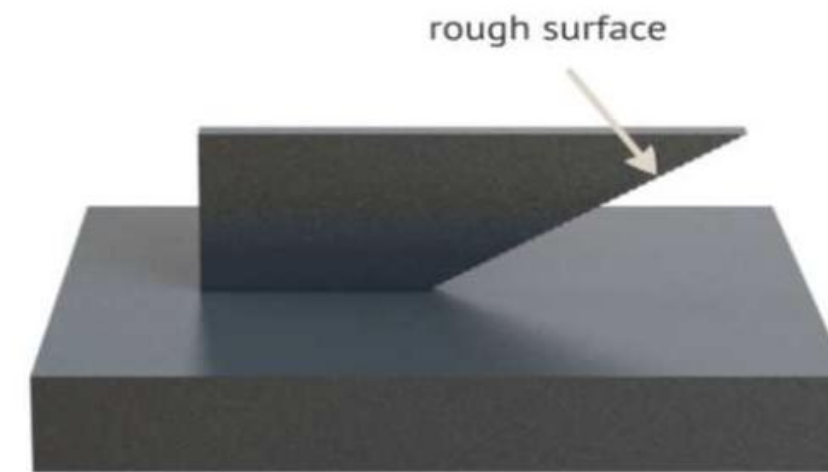
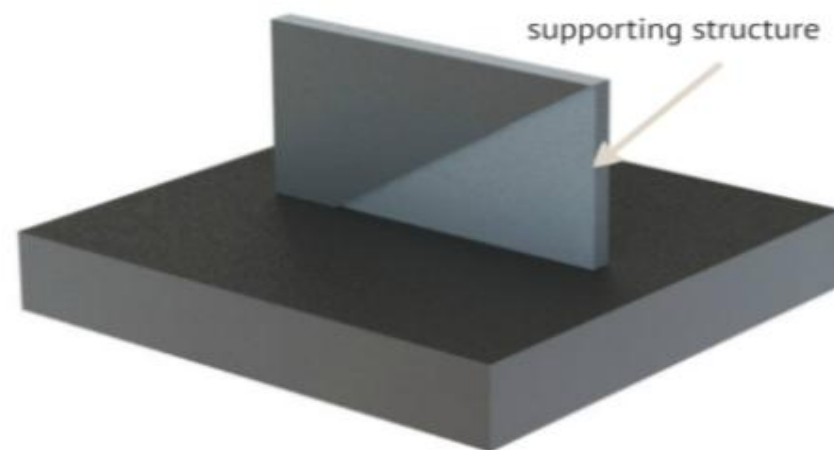
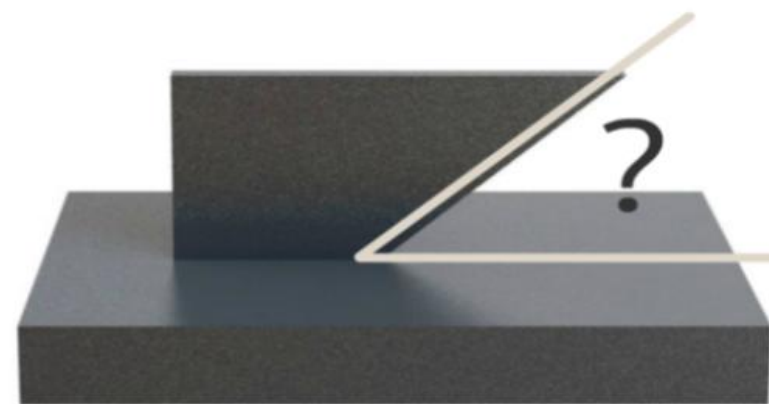
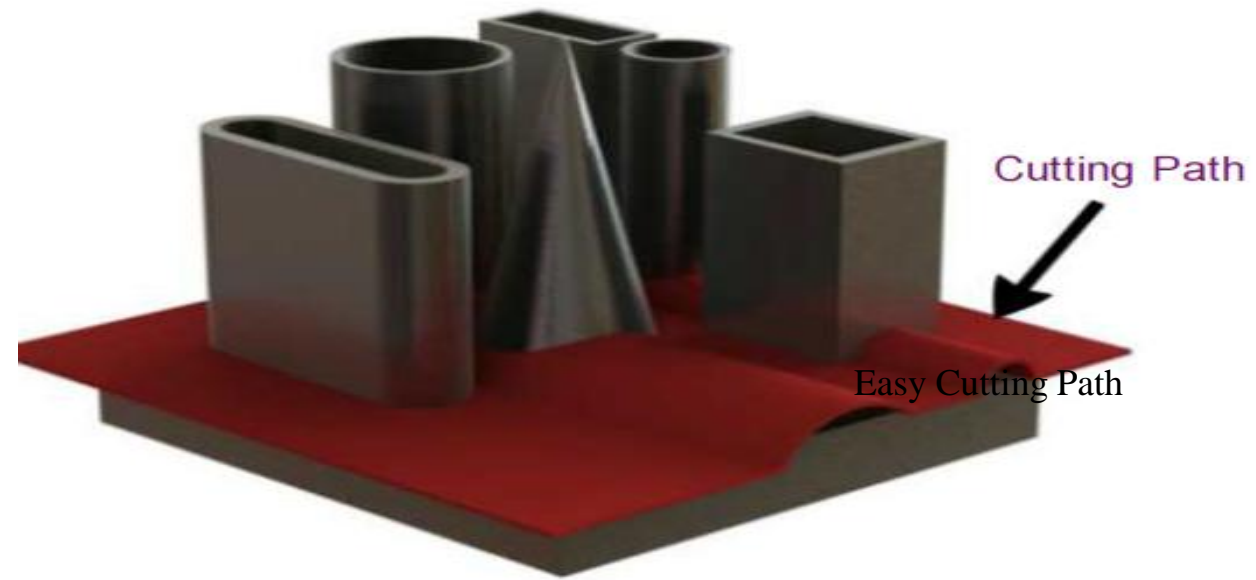


Applications



Additive manufacturing makes **prototyping more affordable for not only wealthy companies but for small businesses and entrepreneurs** who would otherwise not be able to test their products generously. It also allows you to **test multiple colors, materials, and other aesthetic functions of a product in real life.**





Angled surfaces



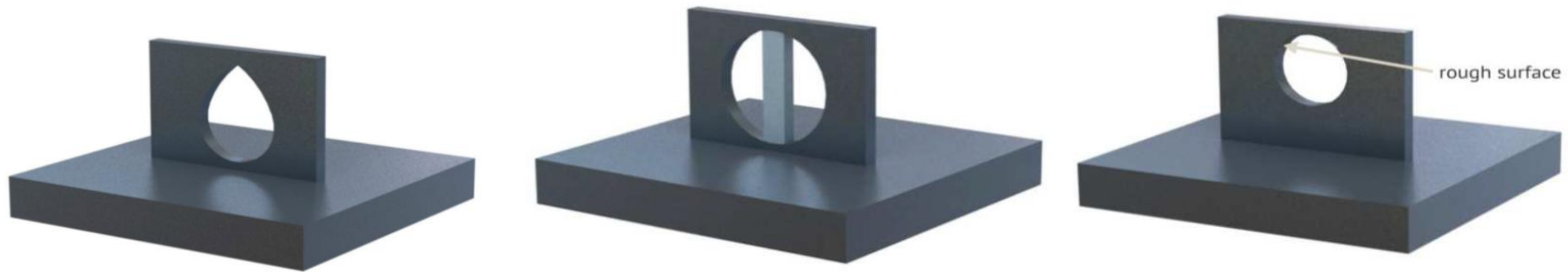
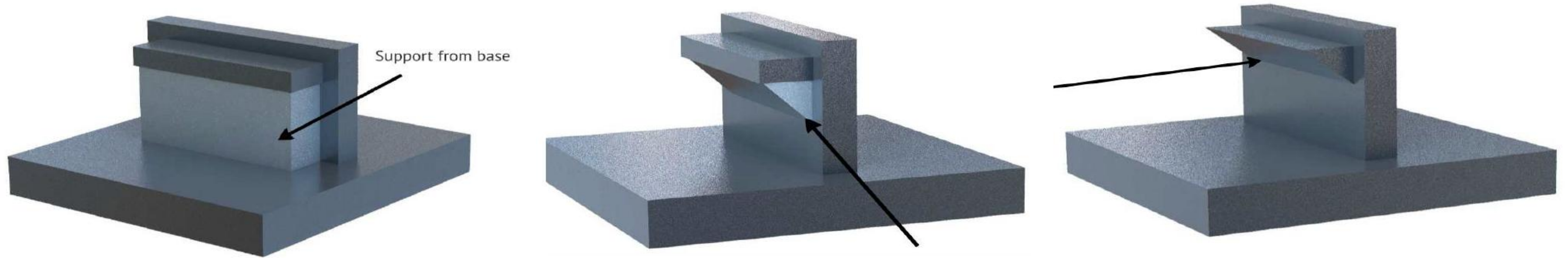
IN718



Ti64



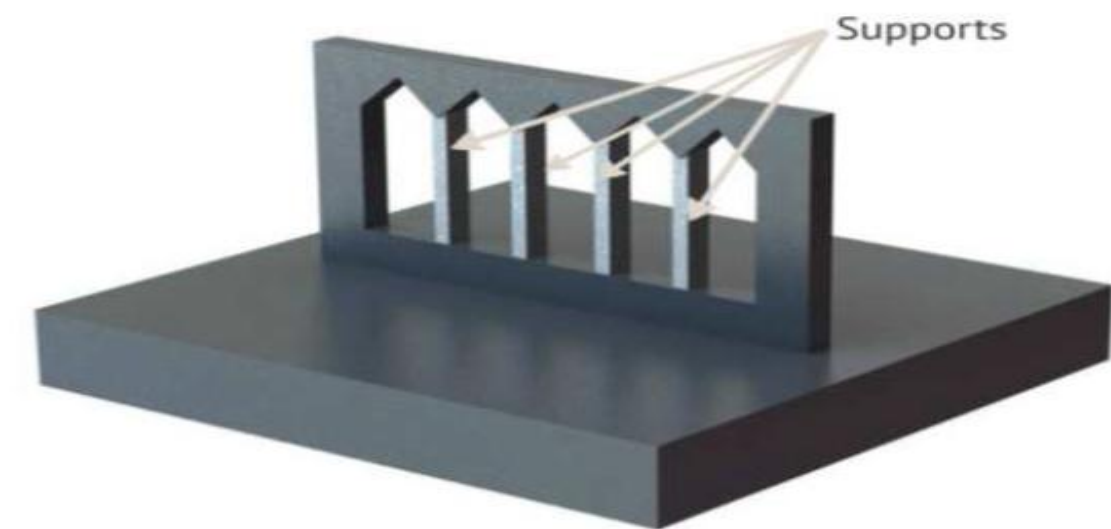
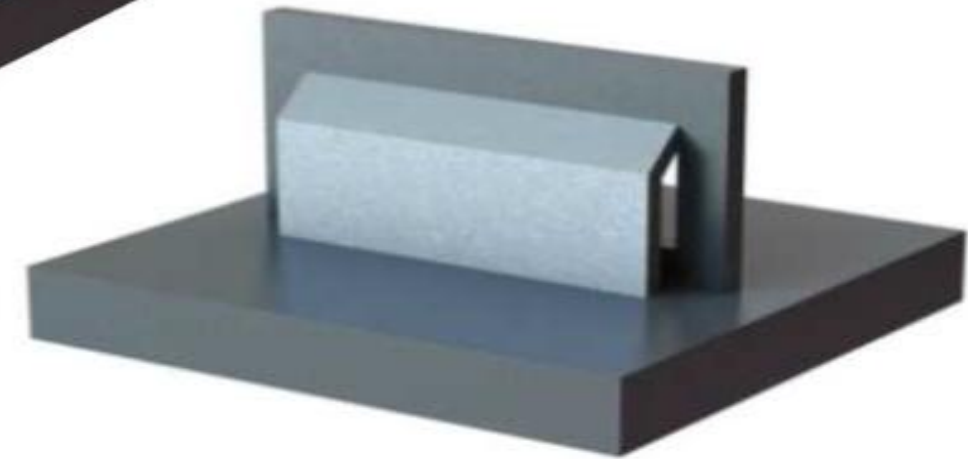
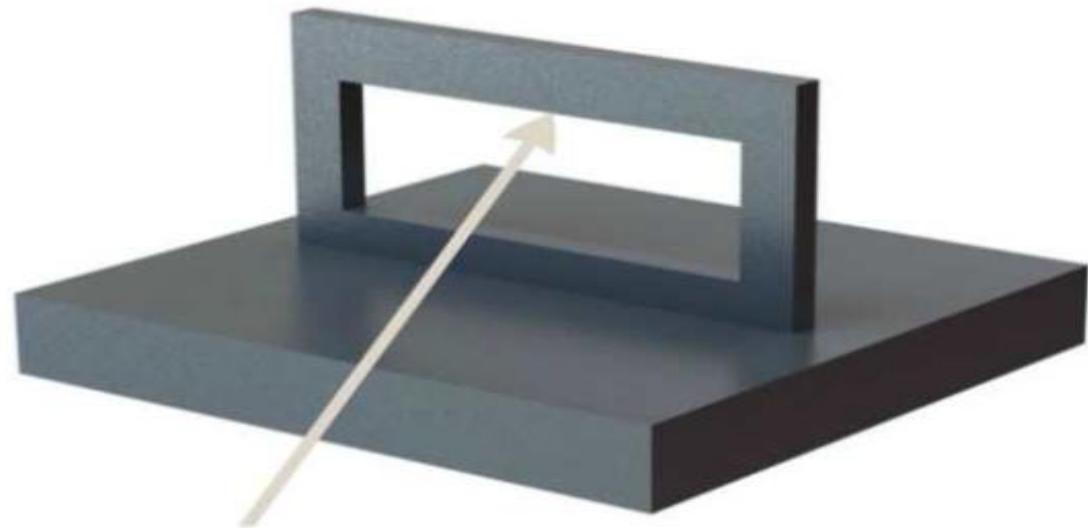
Supports



Holes

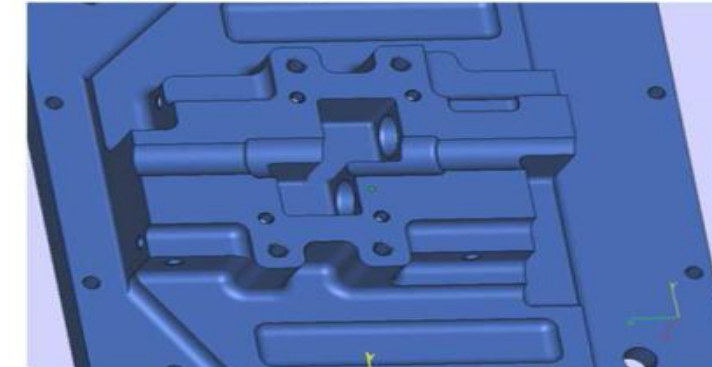
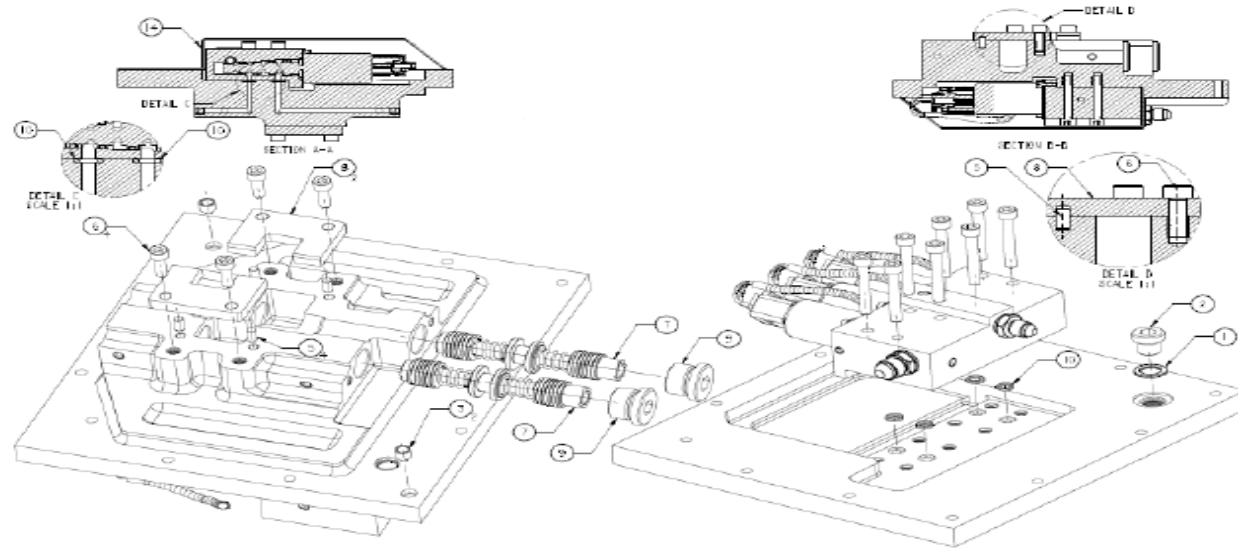


Down Ward Facing Surfaces

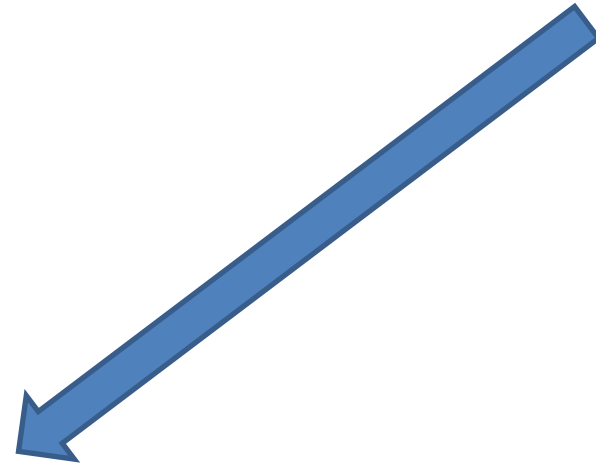




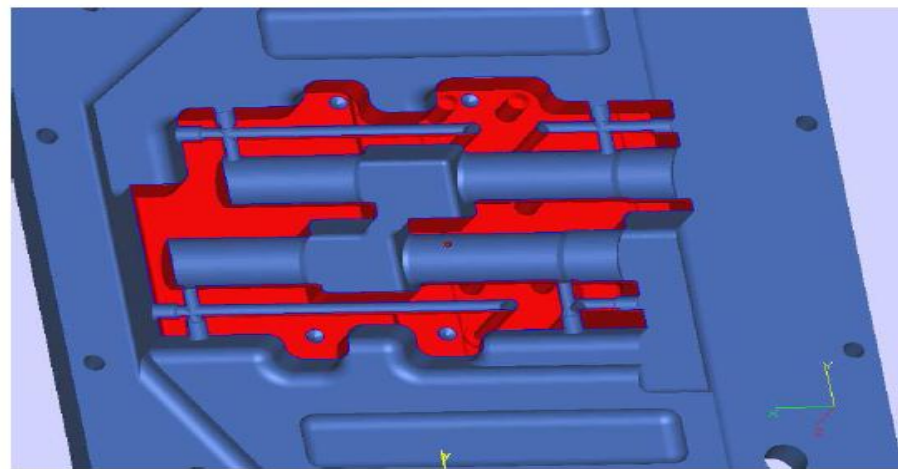
Increased Performance of a Hydraulic Actuator



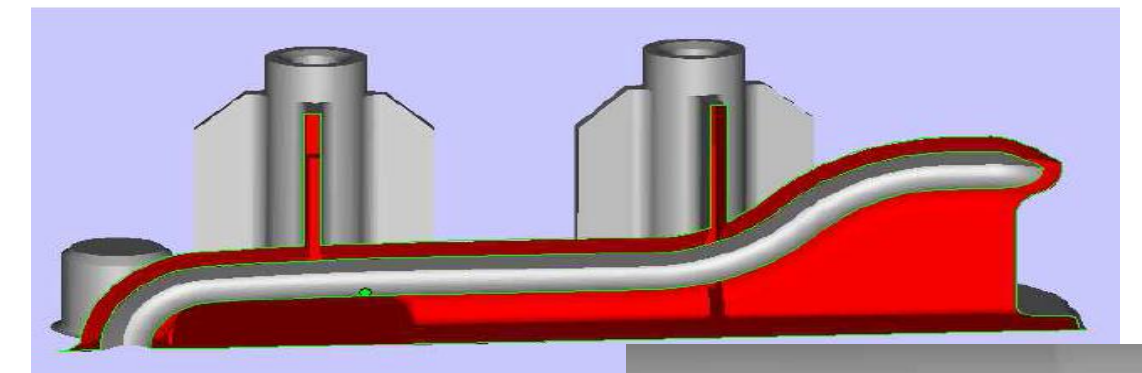
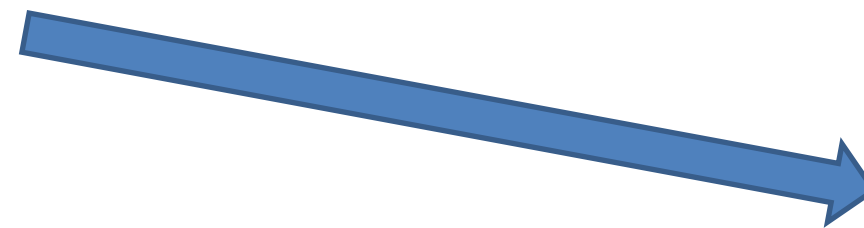
Original design



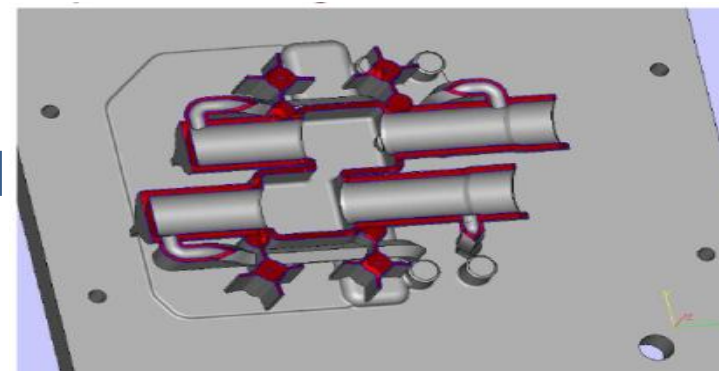
Redesign of supports and channels
With new channel shape



Building
cavities



Optimized design





Thank You