



SNS COLLEGE OF TECHNOLOGY

Coimbatore-35

An Autonomous Institution



Accredited by NBA – AICTE and Accredited by NAAC – UGC with ‘A++’ Grade
Approved by AICTE, New Delhi & Affiliated to Anna University, Chennai

DEPARTMENT OF ELECTRONICS & COMMUNICATION ENGINEERING

19ECT301- COMMUNICATION NETWORKS

III YEAR/ V SEMESTER

UNIT 2 –DATA-LINK LAYER & NETWORK LAYER

TOPIC – INTERNETWORKING



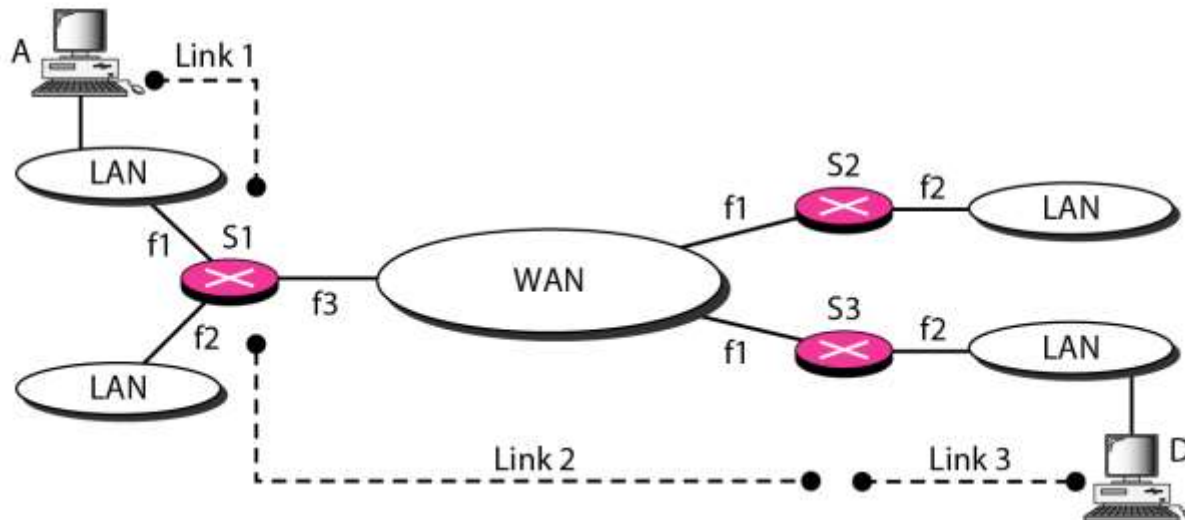
INTERNETWORKING



Internetworking - connecting networks together to make an internetwork or an internet.

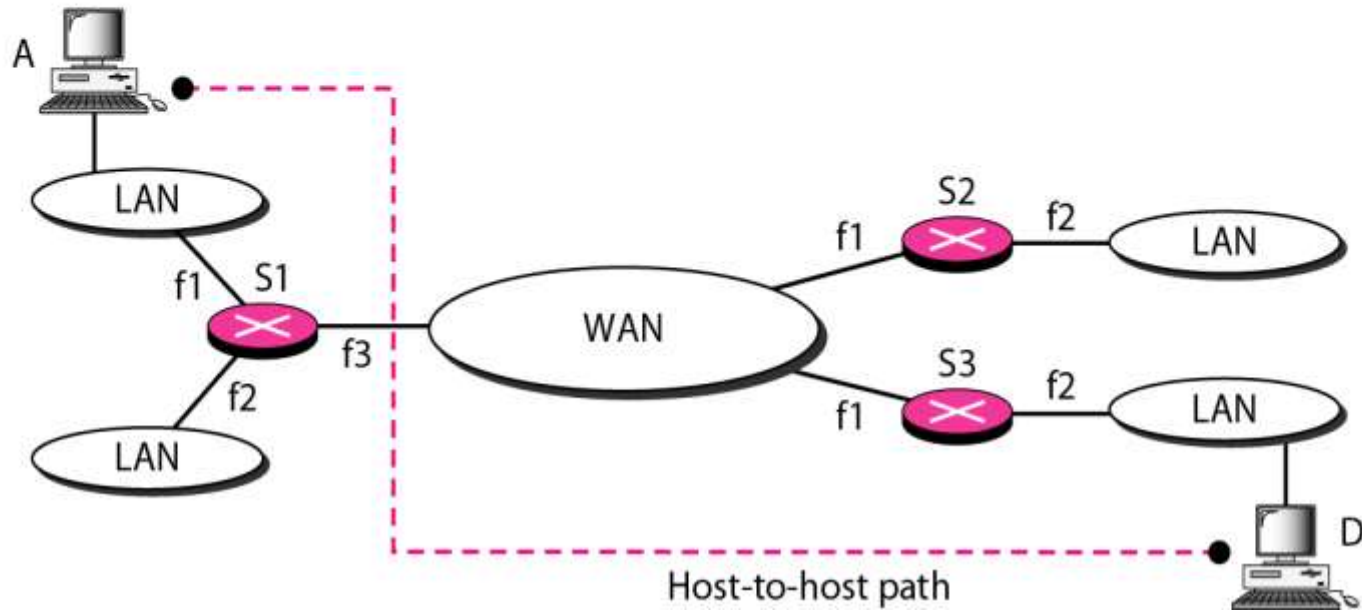


Links between two hosts



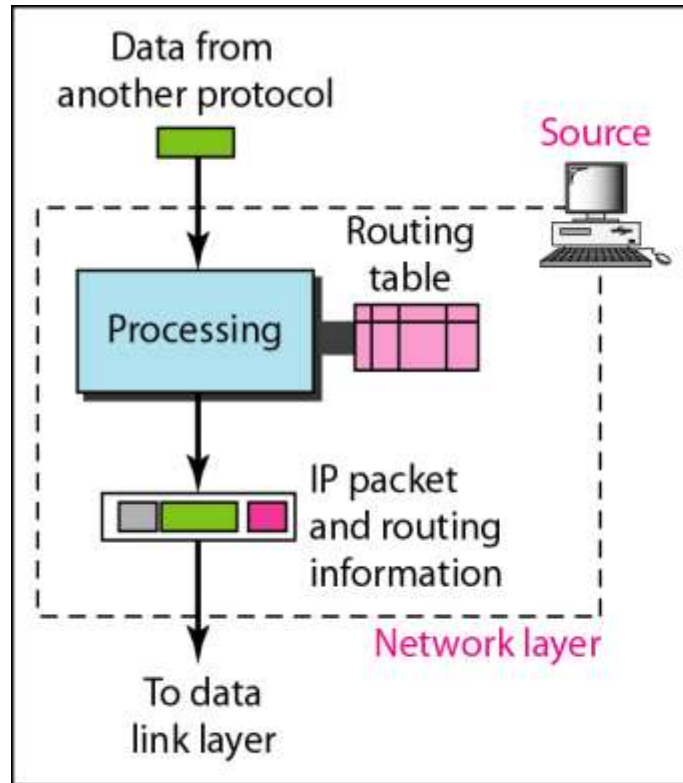


Network layer in an internetwork

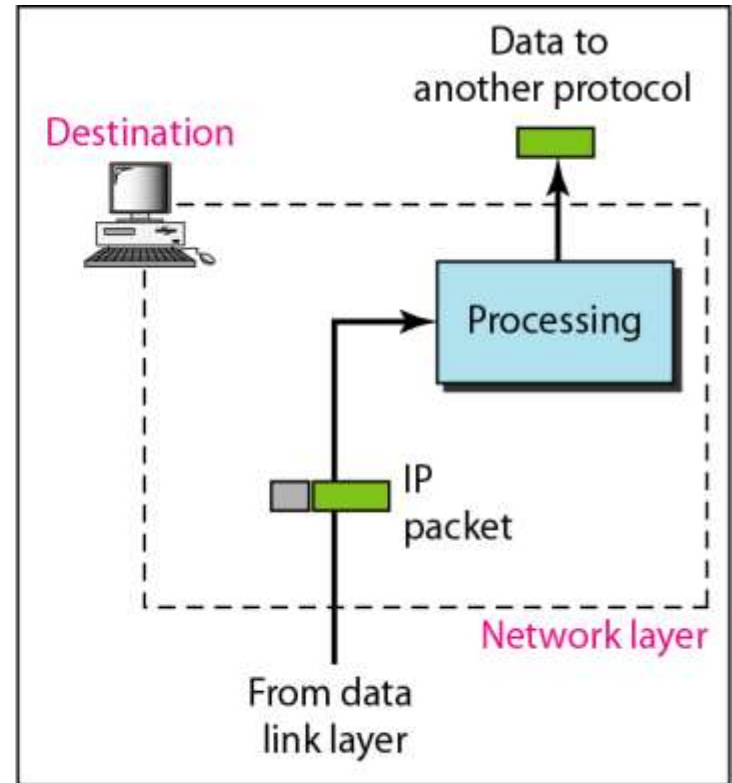




Network layer at the source, router, and destination



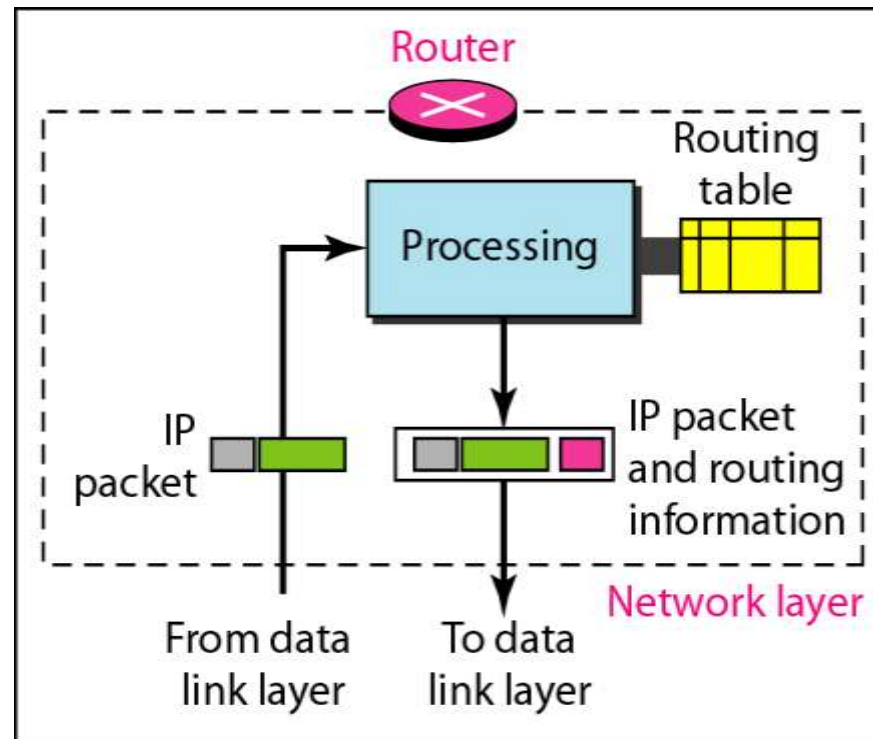
a. Network layer at source



b. Network layer at destination



Network layer at the source, router, and destination
(continued)



c. Network layer at a router



Note

Switching at the network layer in the Internet uses the datagram approach to packet switching.



Note

Communication at the network layer in the Internet is connectionless.



THANK YOU