



SNS COLLEGE OF TECHNOLOGY

Coimbatore-36.

An Autonomous Institution

**Accredited by NBA – AICTE and Accredited by NAAC – UGC with ‘A++’ Grade
Approved by AICTE, New Delhi & Affiliated to Anna University, Chennai**



COURSE NAME : 19CSB301 COMPUTER NETWORKS

III YEAR/ V SEMESTER

UNIT – II DATA LINK LAYER AND MEDIA ACCESS

Topic: Virtual LAN

Dr.V.Savitha

Associate Professor

Department of Computer Science and Engineering



VIRTUAL LANs

- *Virtual Local Area Network (VLAN) as a local area network configured by software, not by physical wiring.*

Going through the subsections

Membership

Configuration

Communication between Switches

IEEE Standard

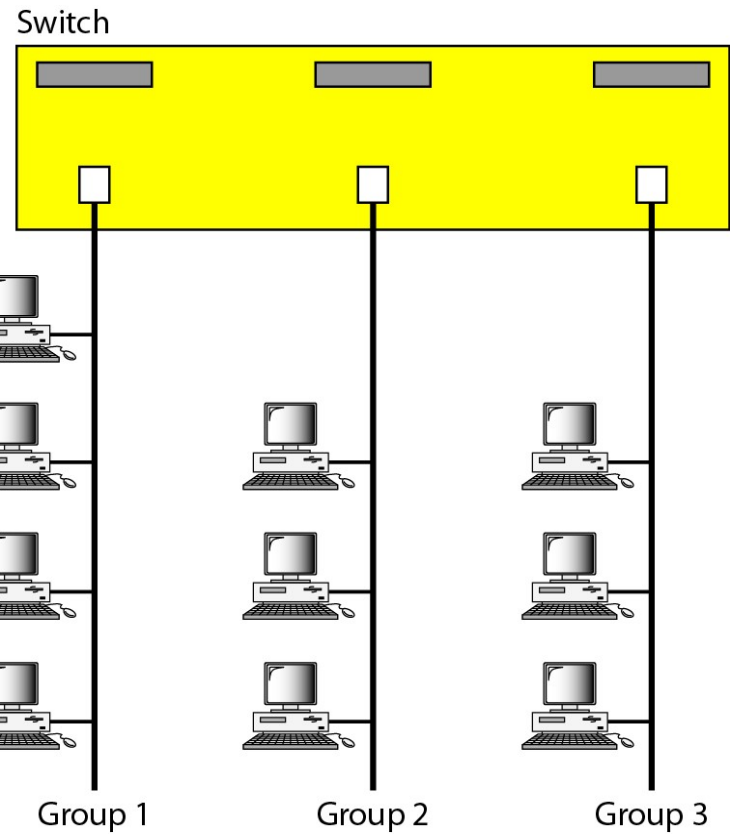
Advantages



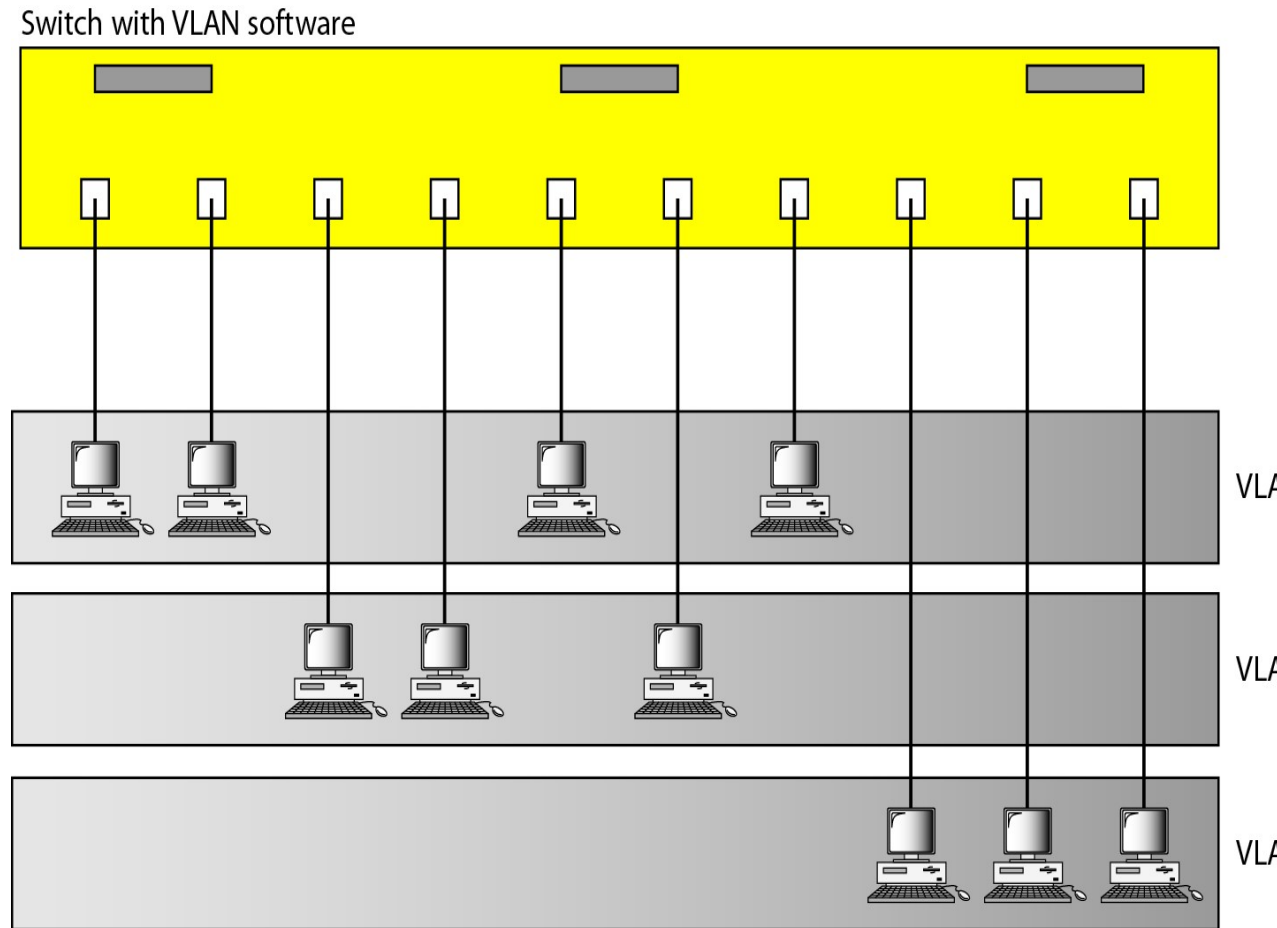
Switching among LANs & VLAN



Switching among 3 LANs



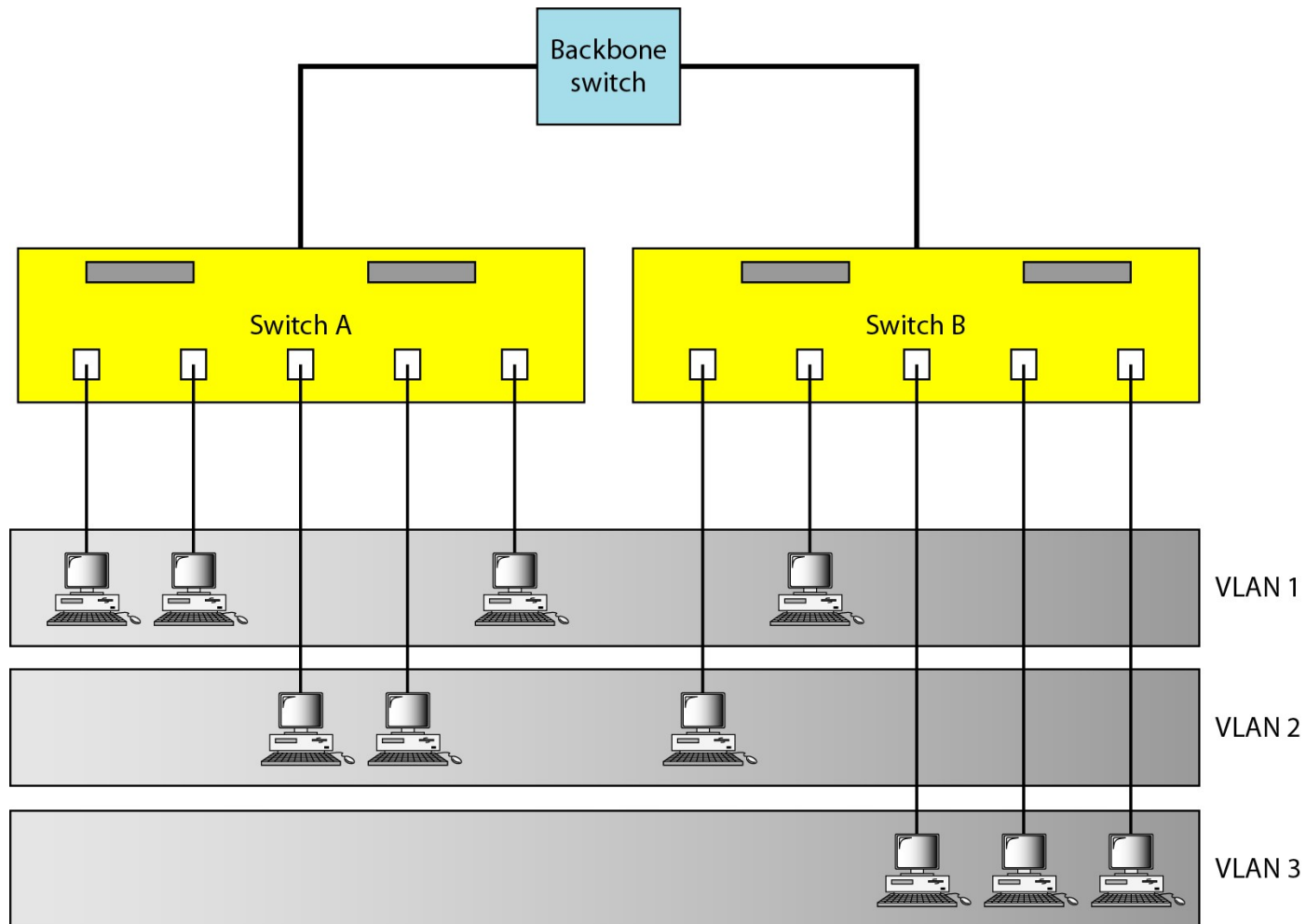
A Switch using VLAN software





Switching among LANs & VLAN

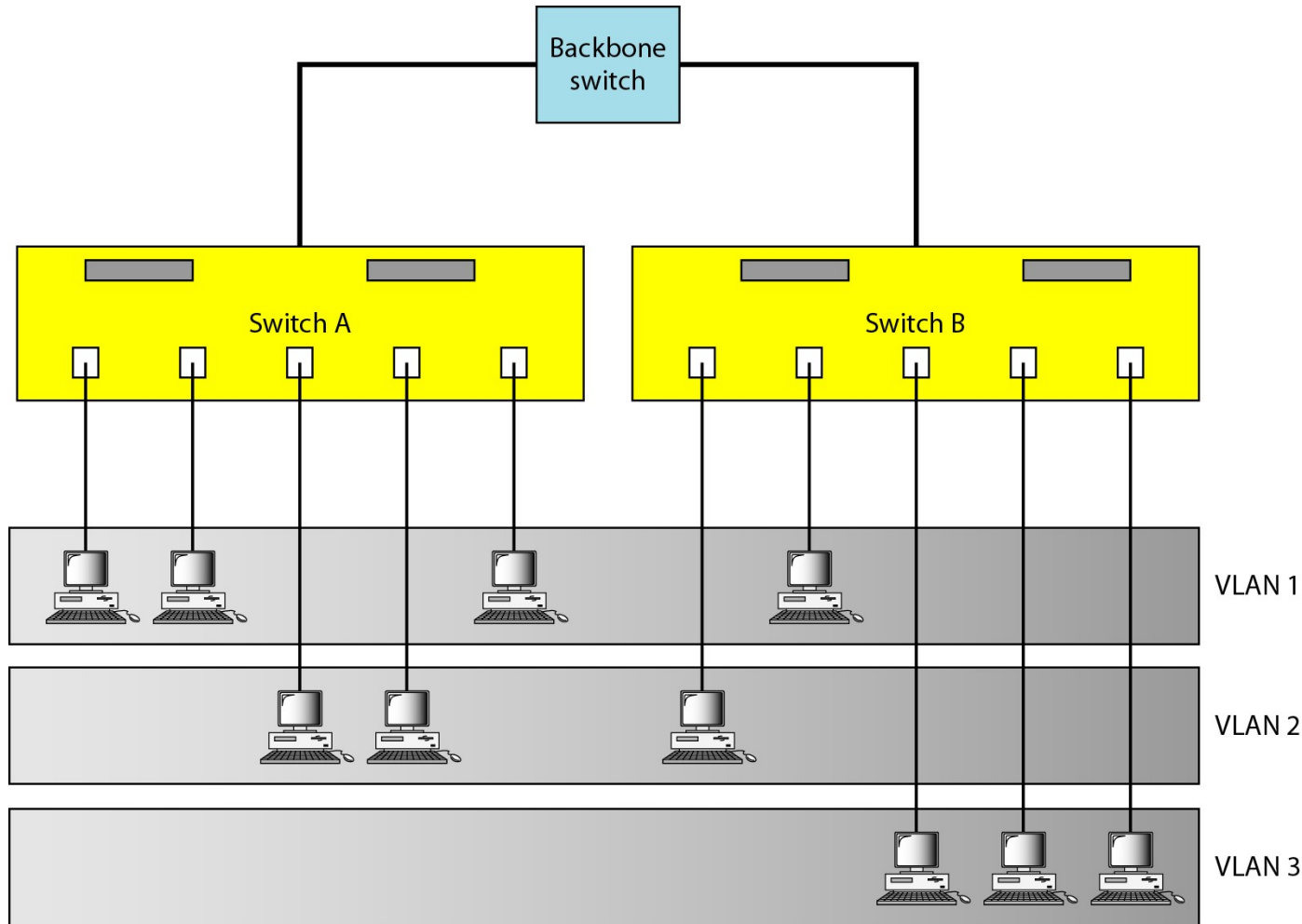
Two switches in a backbone using VLAN software





Switching among LANs & VLAN

Two switches in a backbone using VLAN software



VLANs create broadcast domains.



References

- Behrouz A. Forouzan, “Data communication and Networking”, Fourth Edition, Tata McGraw – Hill, 2011
- Larry L. Peterson, Bruce S. Davie, “Computer Networks: A systems approach”, Fifth Edition, Morgan Kaufmann Publishers, 2011.
- James F. Kurose, Keith W. Ross, “Computer Networking - A Top-Down Approach Featuring the Internet”, Fifth Edition, Pearson Education, 2009

