

A Burglar Alarm

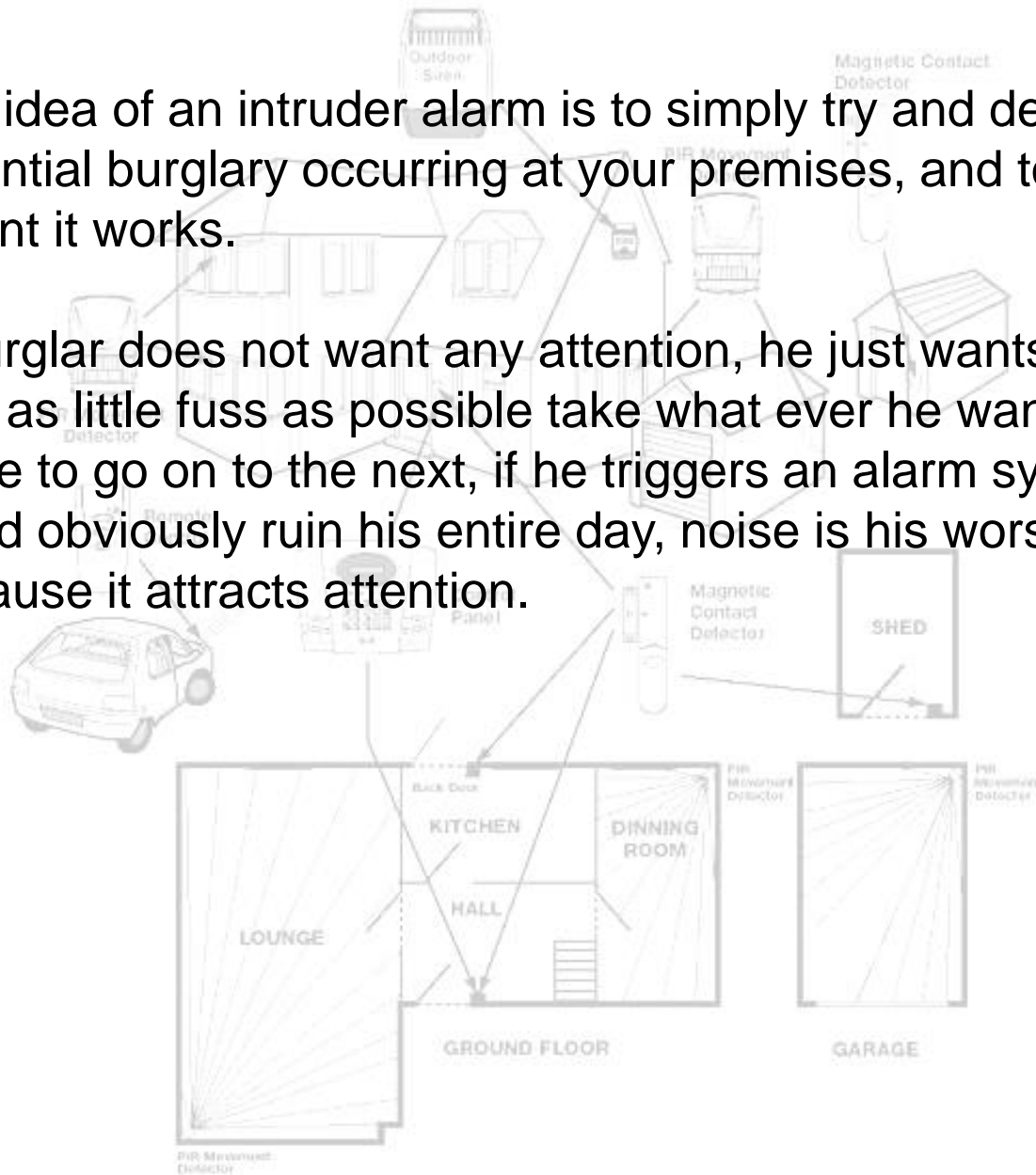


A Burglar / Intruder Alarm

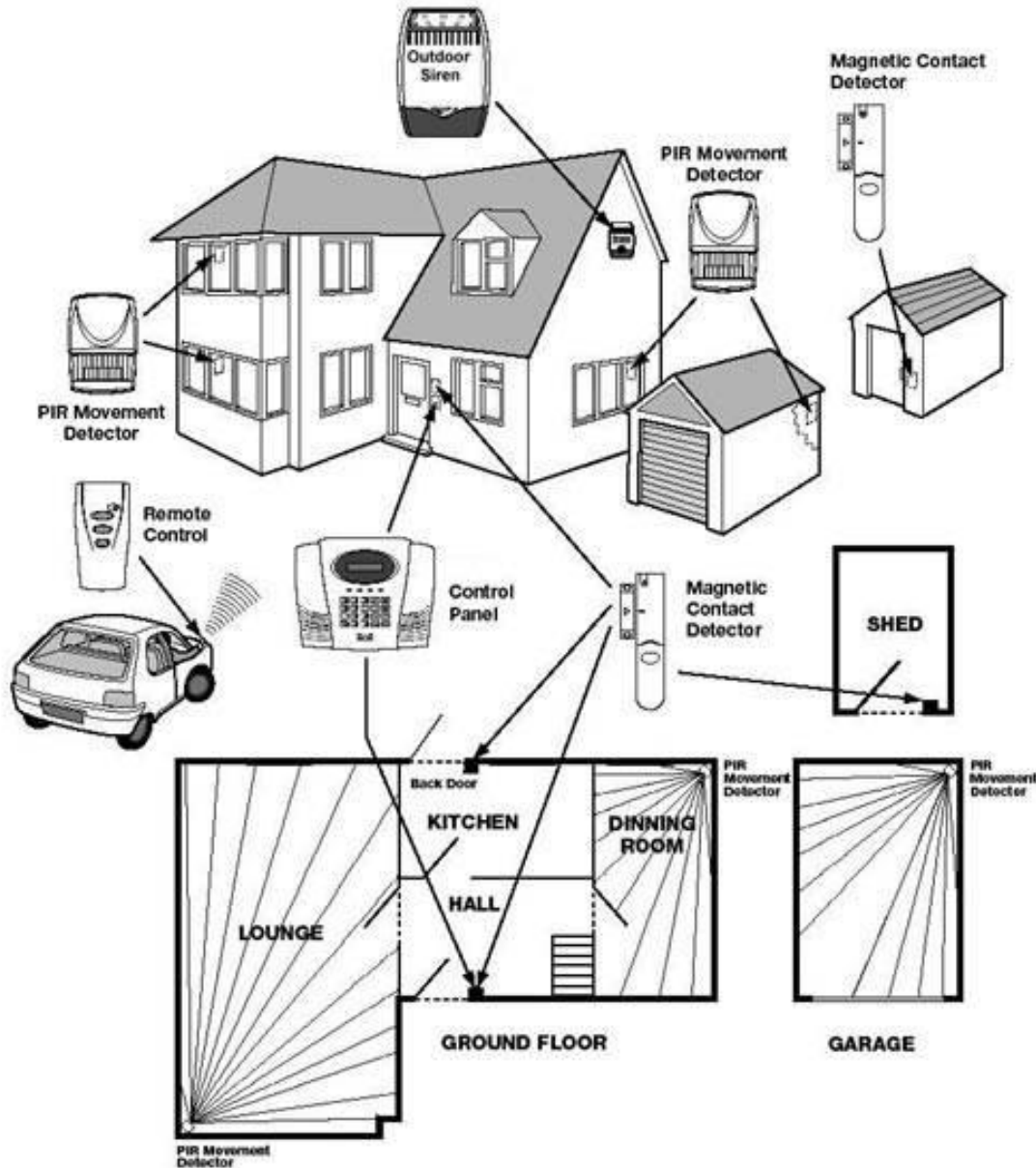


The idea of an intruder alarm is to simply try and deter a potential burglary occurring at your premises, and to an extent it works.

A burglar does not want any attention, he just wants to get in with as little fuss as possible take what ever he wants and leave to go on to the next, if he triggers an alarm system it could obviously ruin his entire day, noise is his worst enemy because it attracts attention.



A Burglar / Intruder Alarm

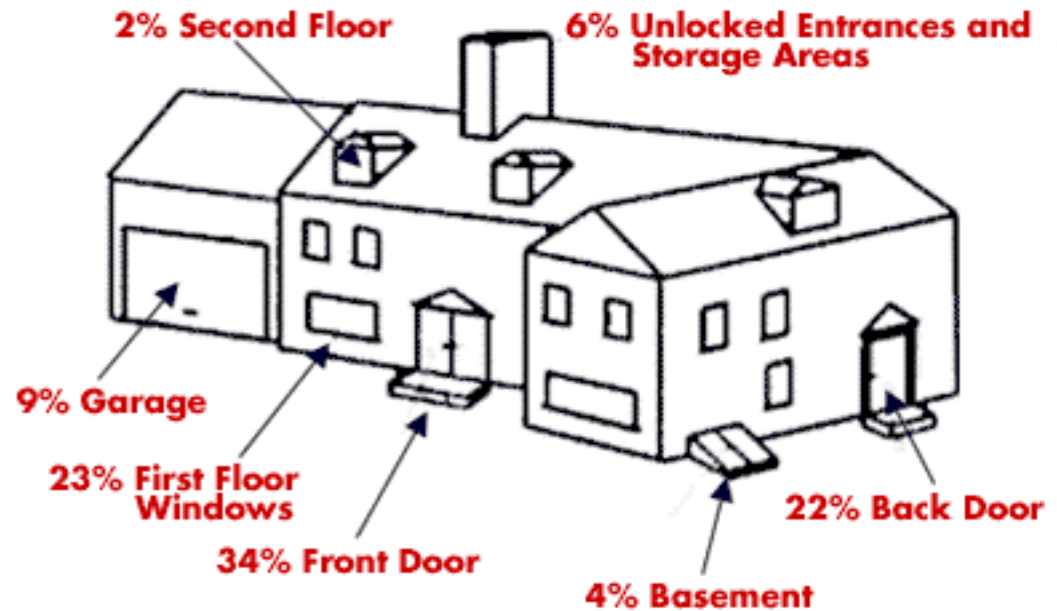


A Burglar / Intruder Alarm



This is an interesting diagram which highlights the forced areas of entry helping to inform us of high risk areas in our homes.

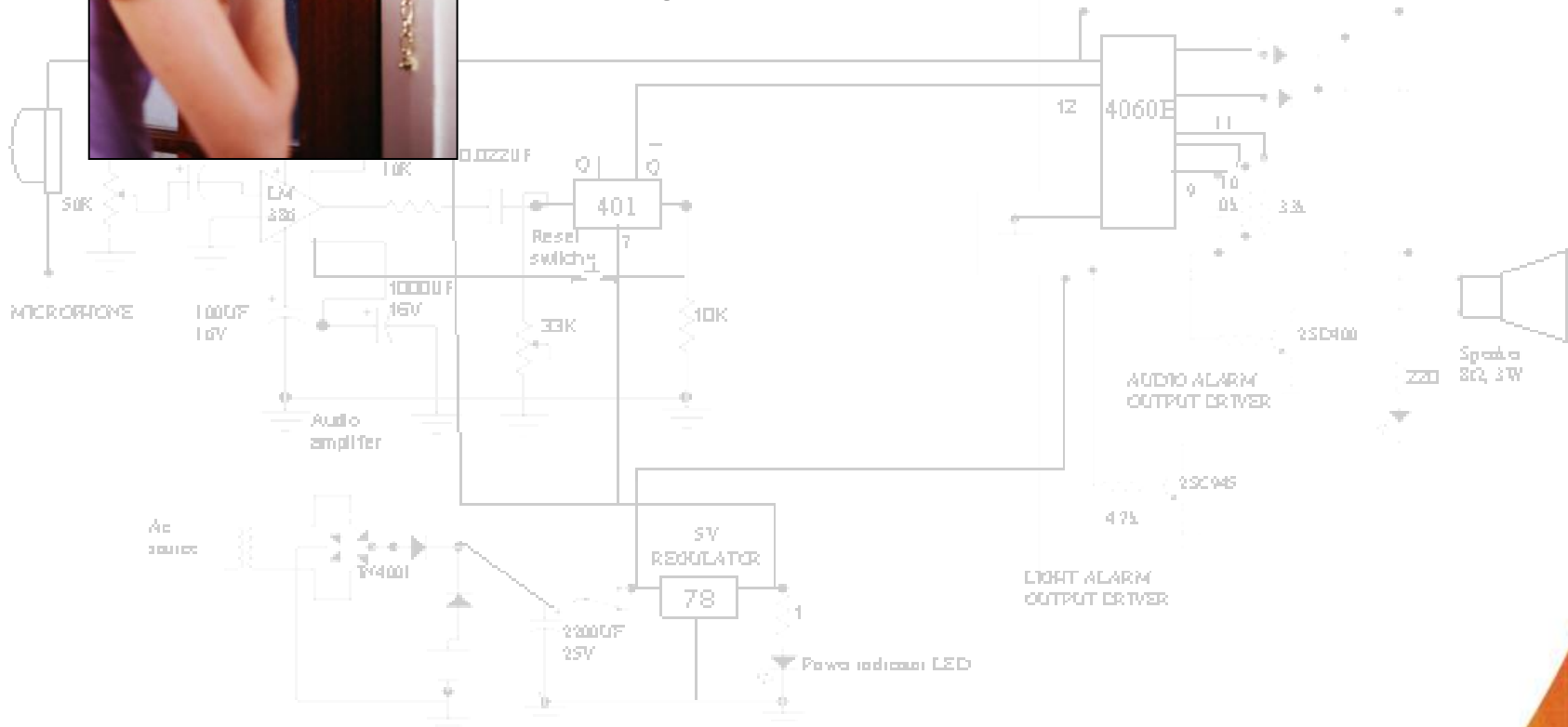
How They Break In:



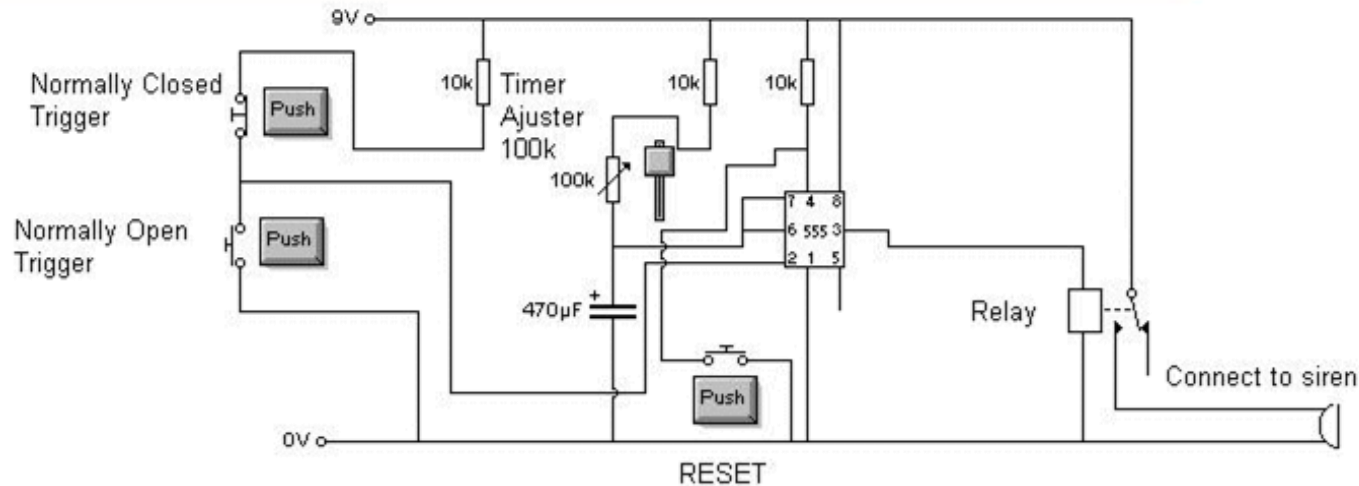
A Burglar / Intruder Alarm



A security chain helps to make your home feel more secure as it's another device to use in conjunction with locks. Door chains allow you to check who is calling before allowing access.



A Burglar / Intruder Alarm



This is a simple but effective alarm circuit which can reset its self after a time that you select. it has normally open and normally closed triggers which make this circuit very practical. This alarm has normally open and normally closed triggers. It's on a 555 timer so the alarm will reset it's self after a certain amount of time. The time is adjustable with the variable resistor in the circuit. The alarm has a reset switch which you can replace with a key switch to make it more secure, and you can change the triggers to other types of door or window switched too. The alarm uses a relay which is connected to a siren but you can replace the siren with whatever you want. The circuit is running off 9VOLTS but can range from 4V - 16V.