



SNS COLLEGE OF TECHNOLOGY

Coimbatore-35
An Autonomous Institution

Accredited by NBA – AICTE and Accredited by NAAC – UGC with 'A+' Grade
Approved by AICTE, New Delhi & Affiliated to Anna University, Chennai

DEPARTMENT OF CIVIL ENGINEERING **&** **CIVIL ENGINEERING PLANNING**

19CET 205 –HIGHWAY AND RAILWAY ENGINEERING

II YEAR– IV SEM

UNIT- V - SIGNALS, POINTS AND CROSSING

TOPIC 3 : RAILWAY STATIONS: REQUIREMENTS





RAILWAY STATIONS - REQUIREMENTS

RAILWAY STATION :

- ❖ A train station, also called a railroad station or railway station and often shortened to just station, is defined as any place on a railway line where traffic is booked and dealt with and is a railway facility where trains regularly stop to load or unload passengers or freight.
- ❖ It generally consists of a platform next to the track and a station building (depot) providing related services such as ticket sales and waiting rooms.
- ❖ If a station is on a single track main line, it usually has a passing loop to facilitate the traffic.
- ❖ The smallest stations are referred to as 'stops' or, mainly in the British Commonwealth, 'halts' (flag stops). Connections may be available to intersecting rail lines or other transport modes such as buses or rapid transit systems Development



RAILWAY STATIONS - REQUIREMENTS



REQUIREMENTS OF RAILWAY STATION :

Requirement of Locomotive

- ❖ Arrangement for supplying fuel, water to engines
- ❖ Arrangement for clearing and examining the locomotives.
- ❖ Arrangement vehicles, Turn table.
- ❖ Residential accommodation waiting room for loco staff.

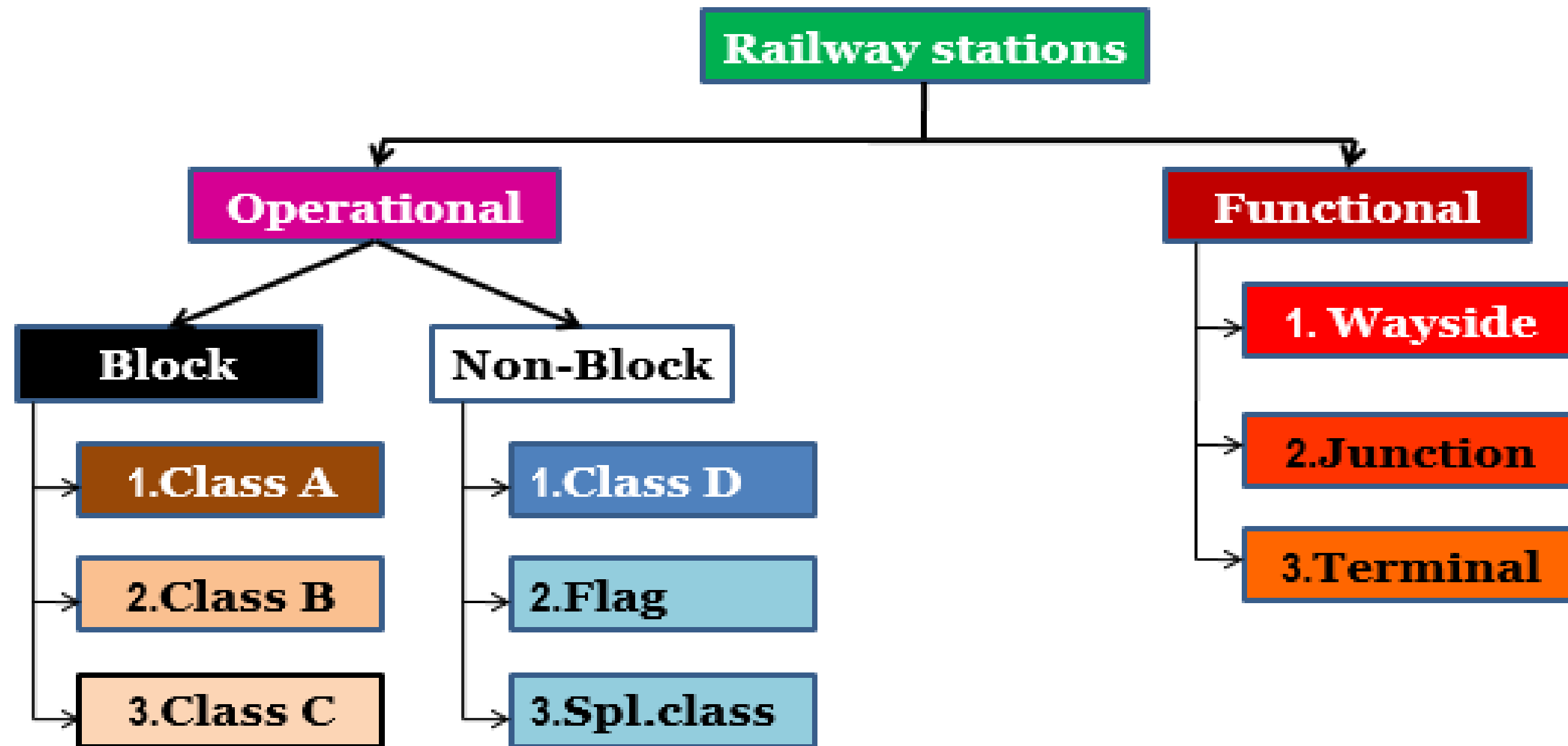
Public Requirements:

- ❖ Booking office Platform ,Waiting room ,Arrangements, water, Retiring Room
- ❖ Replacement Room ,Sanitary arrangement , Lighting Arrangement , Enquiry office
- ❖ Public telephone , Name boards of station , Clock room



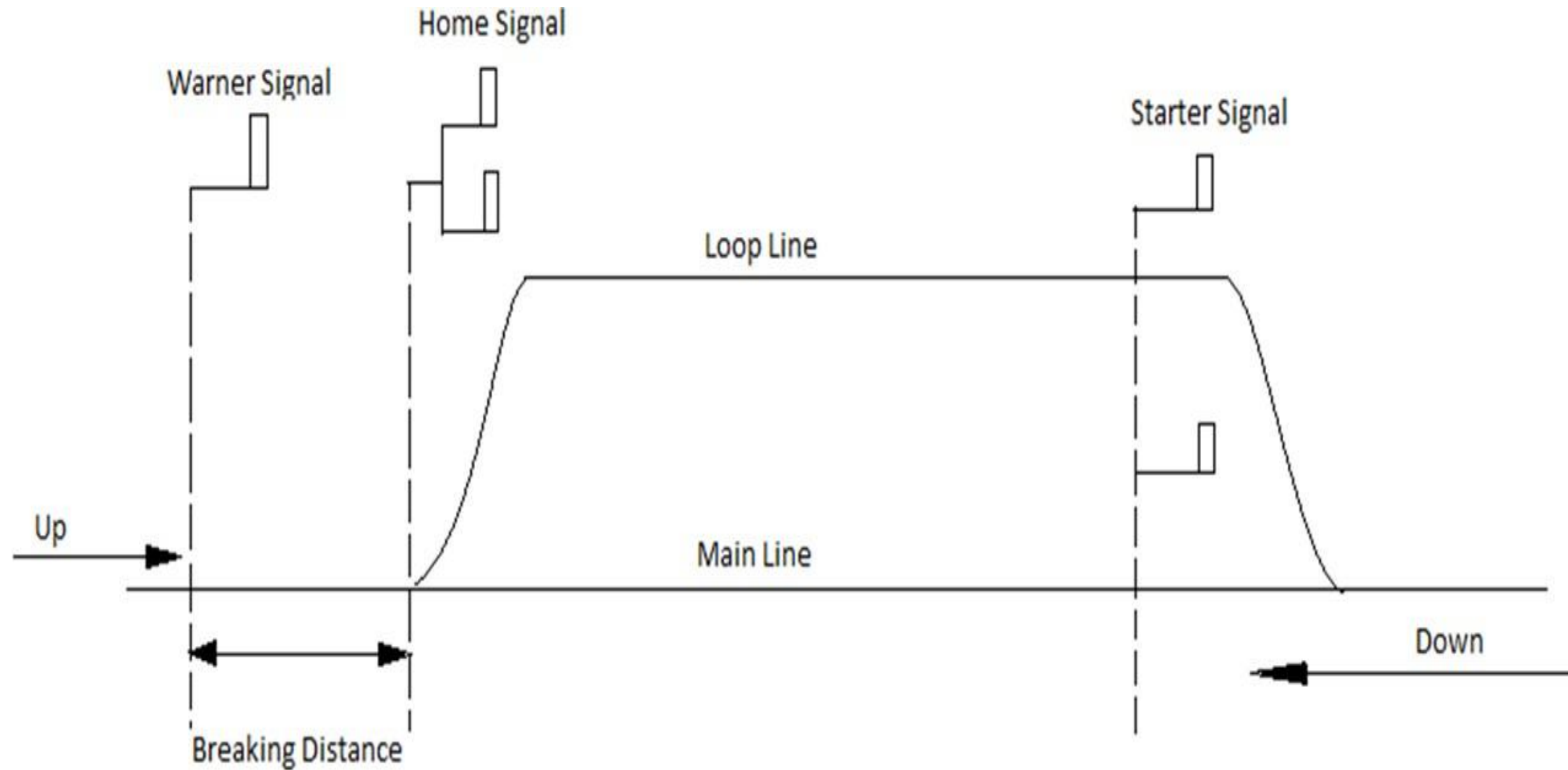
RAILWAY STATIONS - REQUIREMENTS

Classifications of Railway stations:





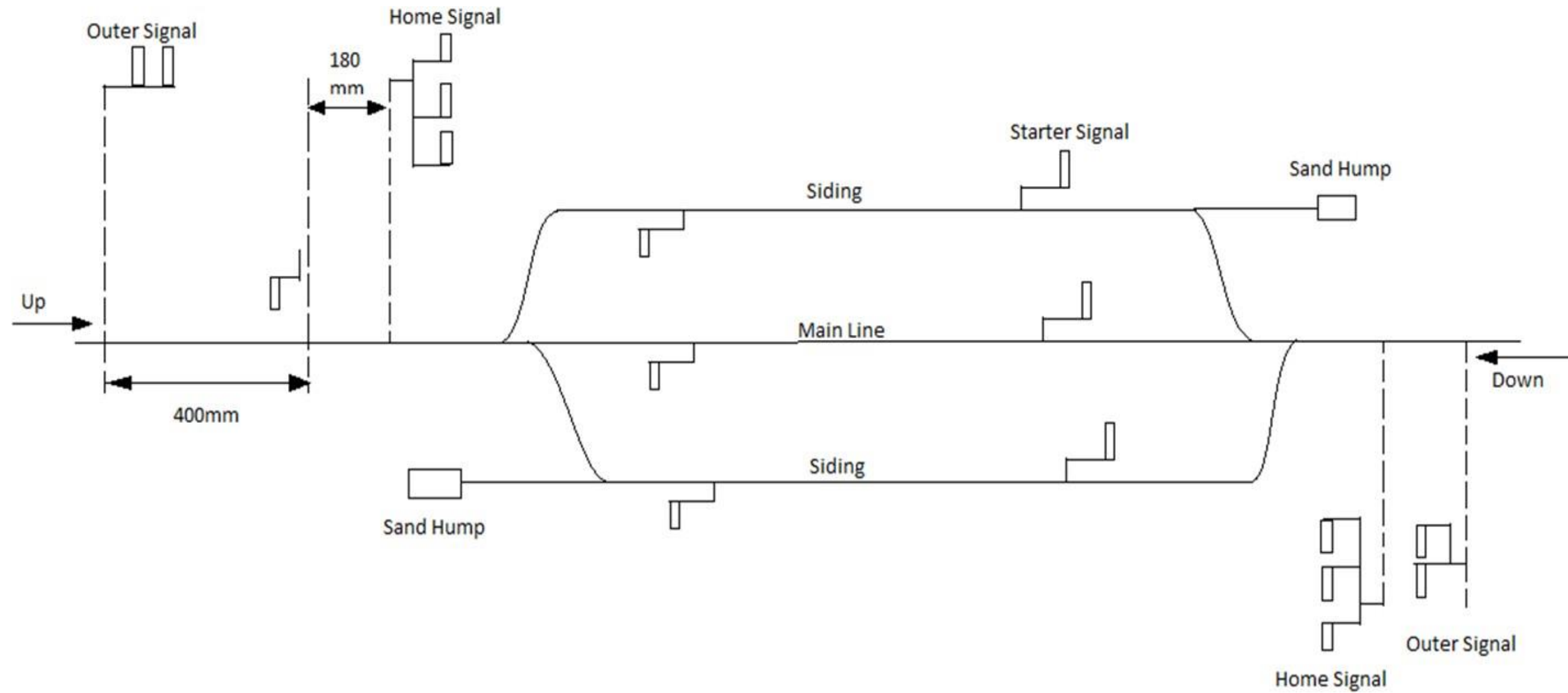
RAILWAY STATIONS - REQUIREMENTS



CLASS 'A' STATION



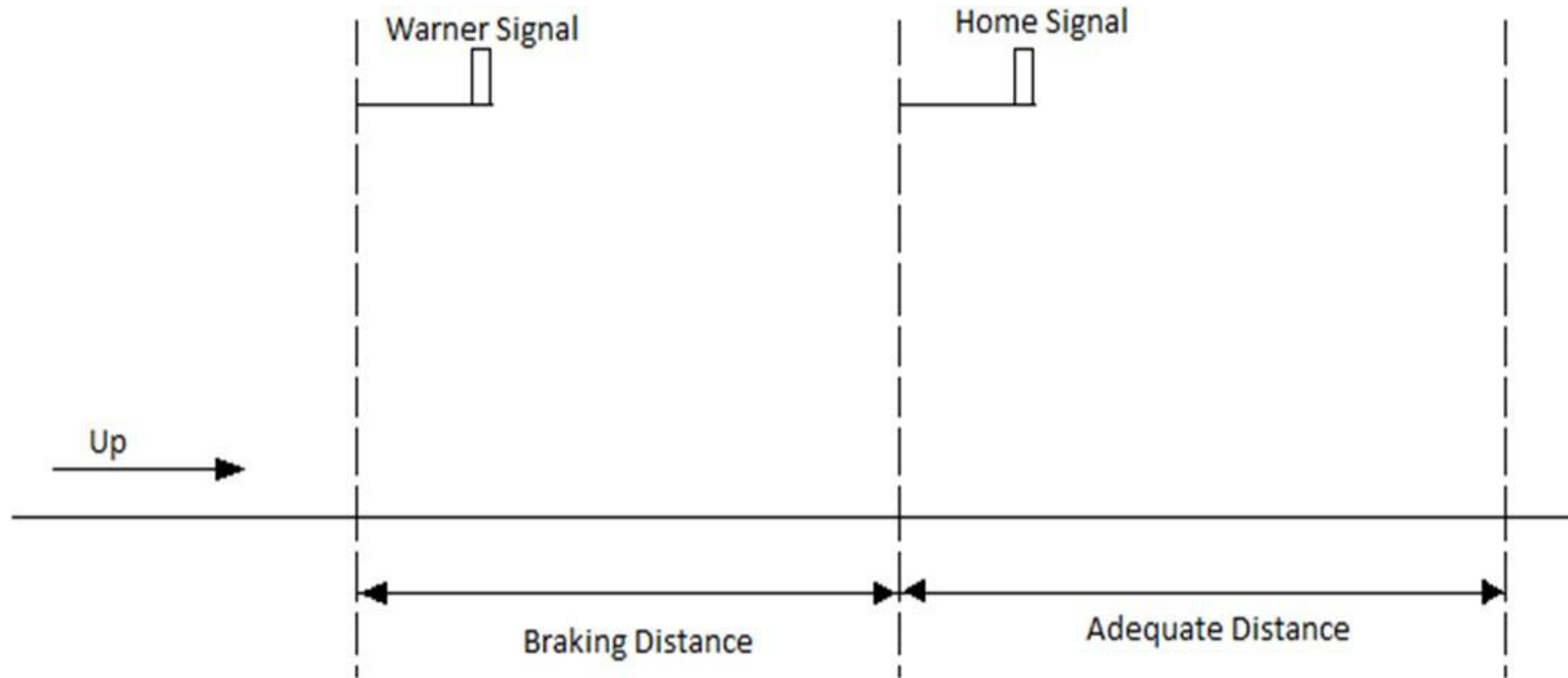
RAILWAY STATIONS - REQUIREMENTS



CLASS 'B' STATION



RAILWAY STATIONS - REQUIREMENTS



CLASS 'C' STATION



References



- <https://nptel.ac.in/courses/105/101/105101006/>
- <https://nptel.ac.in/courses/105/106/105106151/>

Thank You