

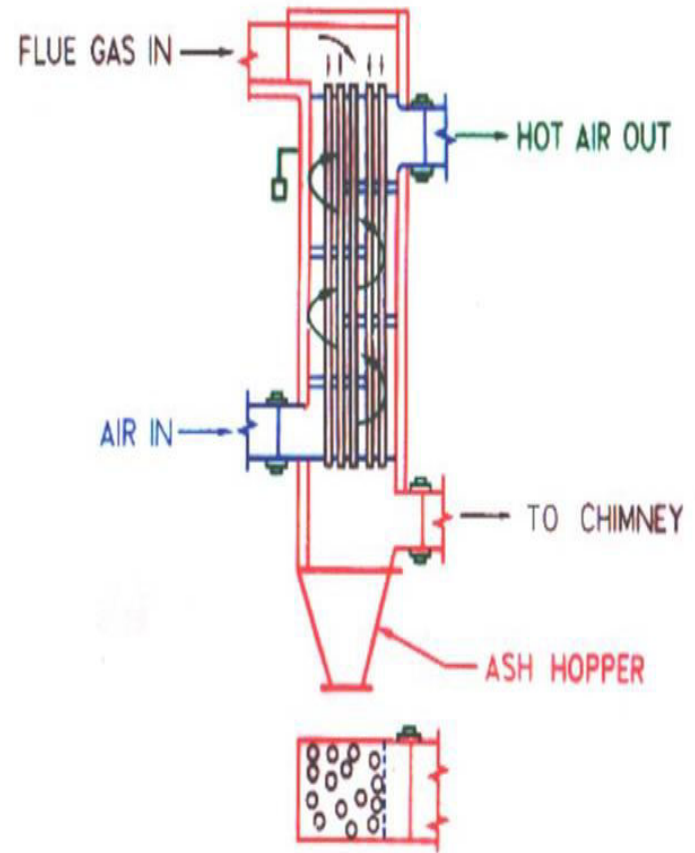
BOILER ACCESSORIES

The devices used to improve the performance and operation of the boilers are called boiler accessories. Main accessories used are:

Air prehaeter

Function:

The function of the air pre-heater is to increase the temperature of air before it enters the furnance. It is generally placed after the economiser.



Economiser

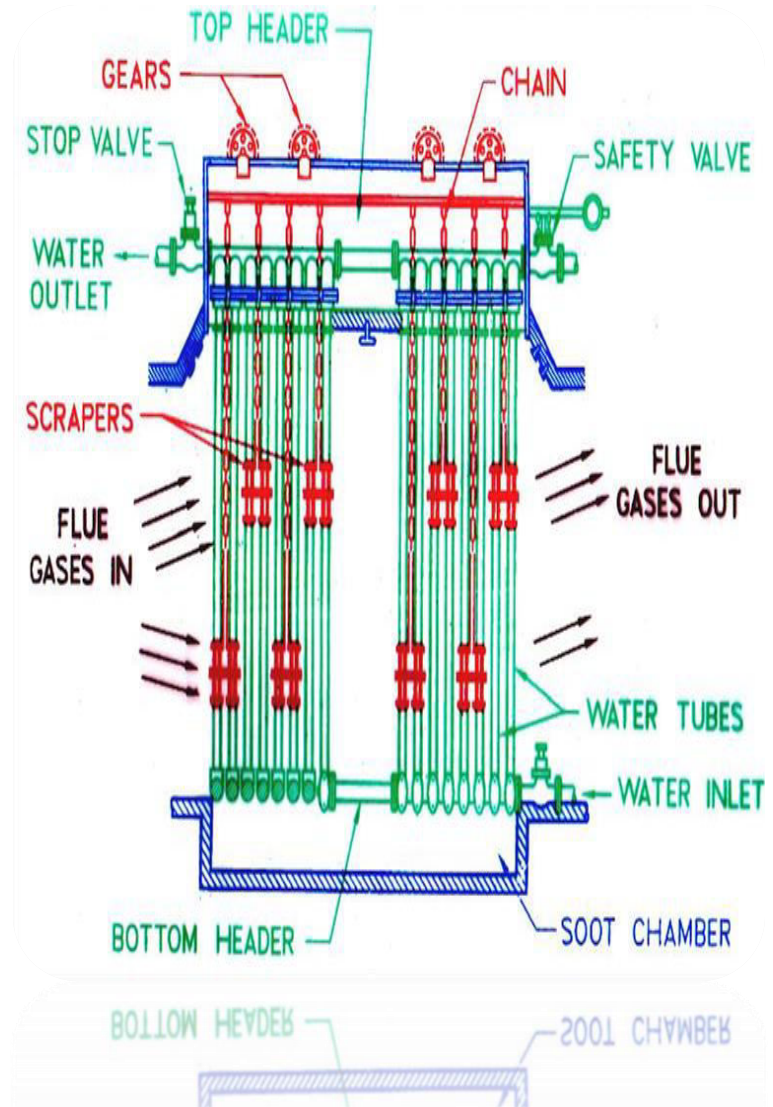
Function:

An economiser is a device in which the waste heat of the flue gases is utilised for heating the feed water.

Economiser are of two types :

Independent type, and

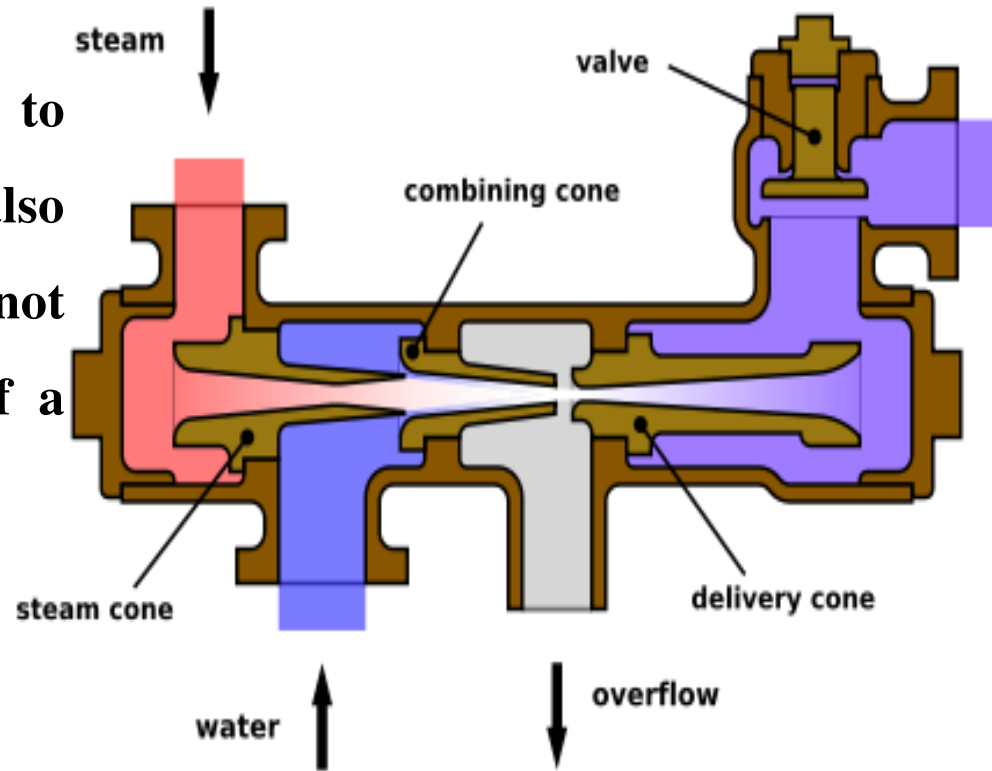
Integral type



Injector

Function:

The function of an injector is to feed water into the boiler. It is also used where the space is not available for the installation of a feed pump



Feed pump

Function:

Its is a pump which is used to deliver feed water to the boiler.

The appliances in common use for delivering the feed-water into the steam boilers are:

Reciprocating pump

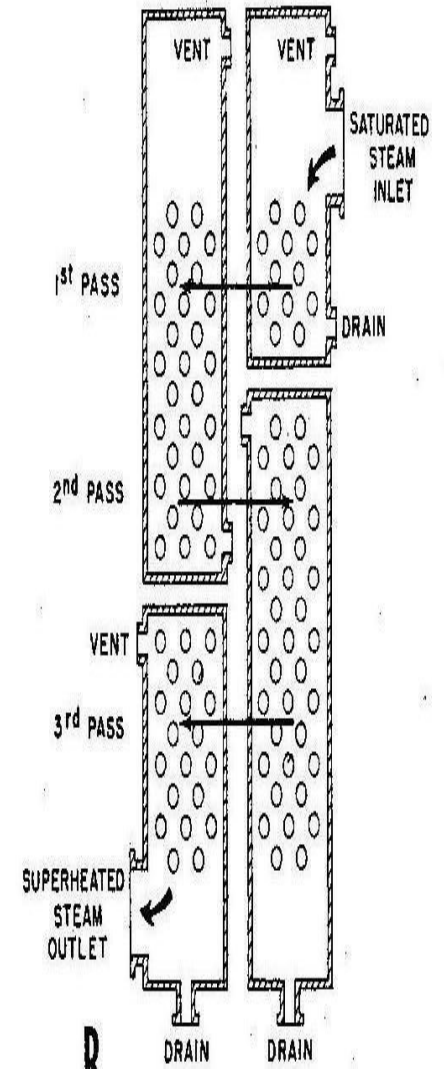
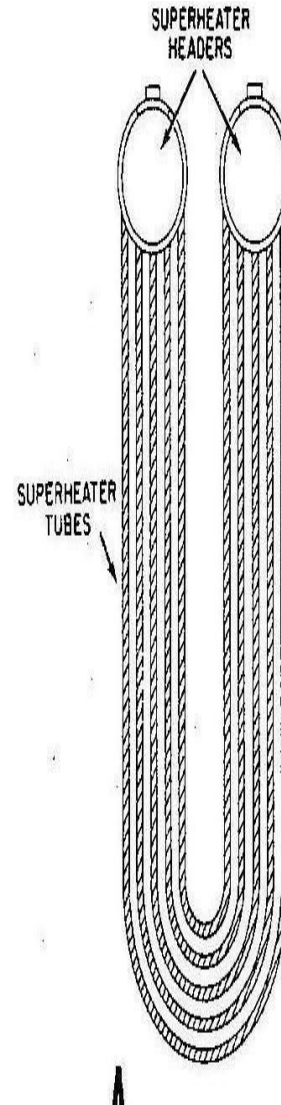
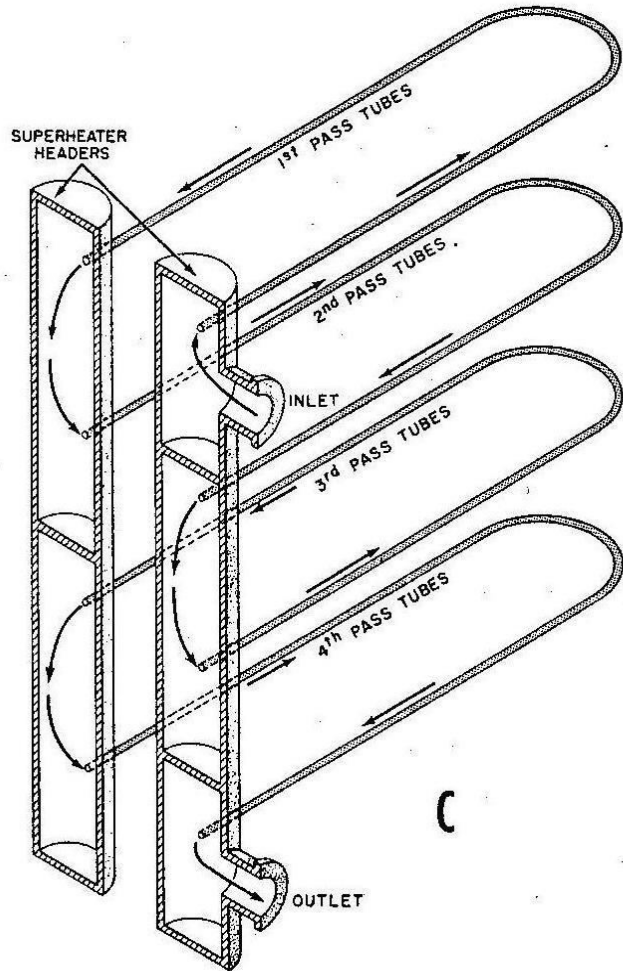
Rotary pump



Superheater

Superheater is a component of a steam-generating unit in which steam, after it has left the boiler drum, is heated above its saturation temperature. The super heater may consist of one or more stages of tube banks arranged to effectively transfer heat from the products of combustion. Super heaters are classified as convection , radiant or combination of these.

Superheaters



THANK YoU..

