

# compressorsPuzzles

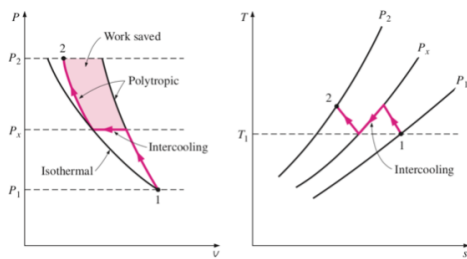


Intercooler

Workdone

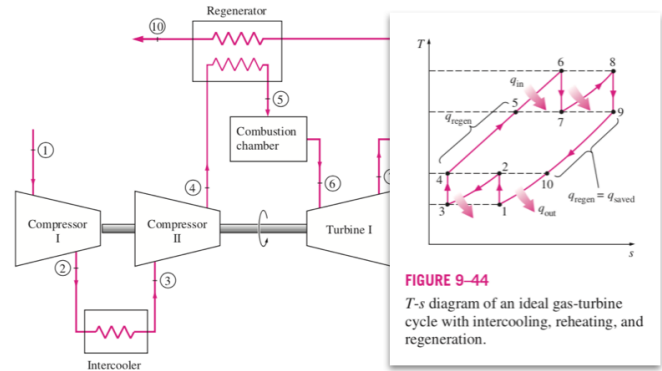
Locate pressure difference

**FIGURE 8-46**  
*P-v* and *T-s* diagrams for a two-stage steady-flow compression process.



Çengel: Introduction to Thermodynamics and Heat Transfer

**FIGURE 9-43**  
 A gas-turbine engine with two-stage compression with intercooling, two-stage expansion with reheating, and regeneration.



**FIGURE 9-44**  
*T-s* diagram of an ideal gas-turbine cycle with intercooling, reheating, and regeneration.

Çengel: Thermodynamics - An Engineering Approach

