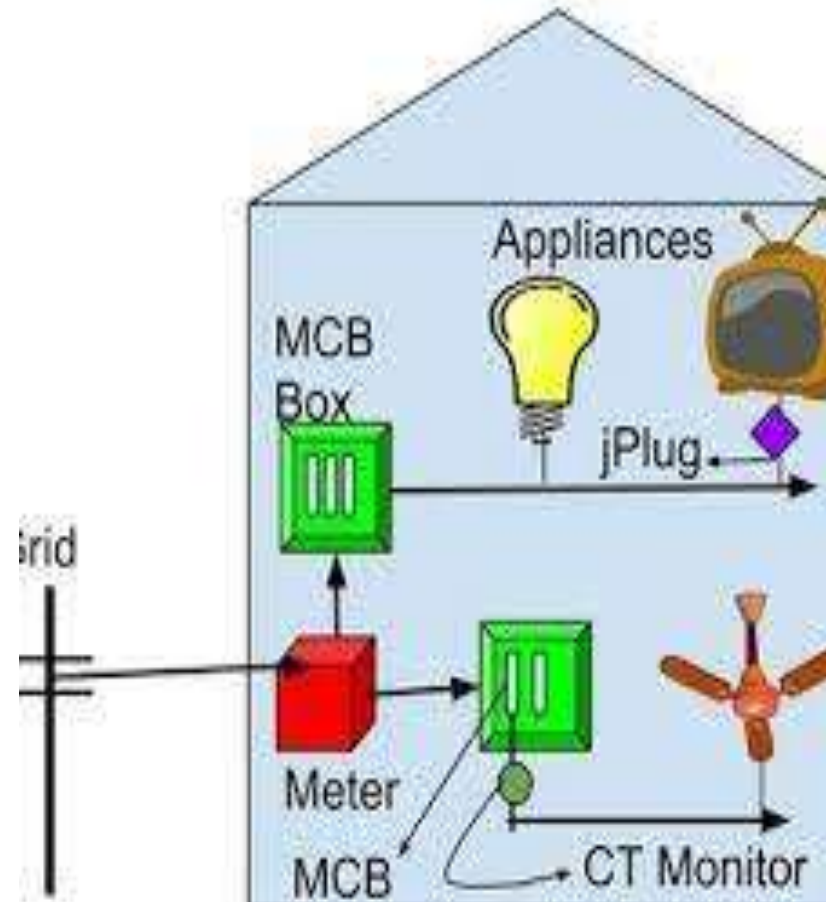




RESIDENTIAL WIRING



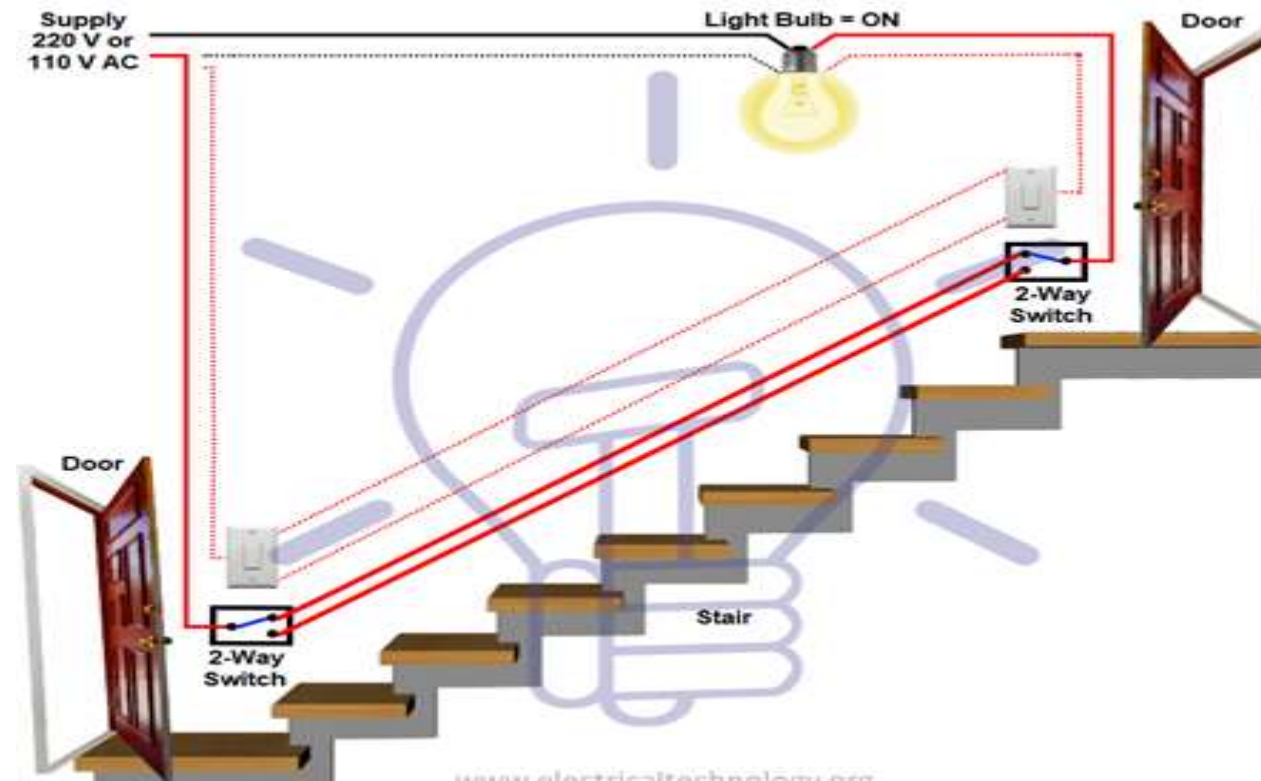
- Residential electrical wiring systems **start with the utility's power lines and equipment that provide power to the home**, known collectively as the service entrance.
- The power is run through an electric meter, which records how much energy is used in the home and is the basis for the monthly electric bill.





LAYOUT OF HOUSEHOLD WIRING

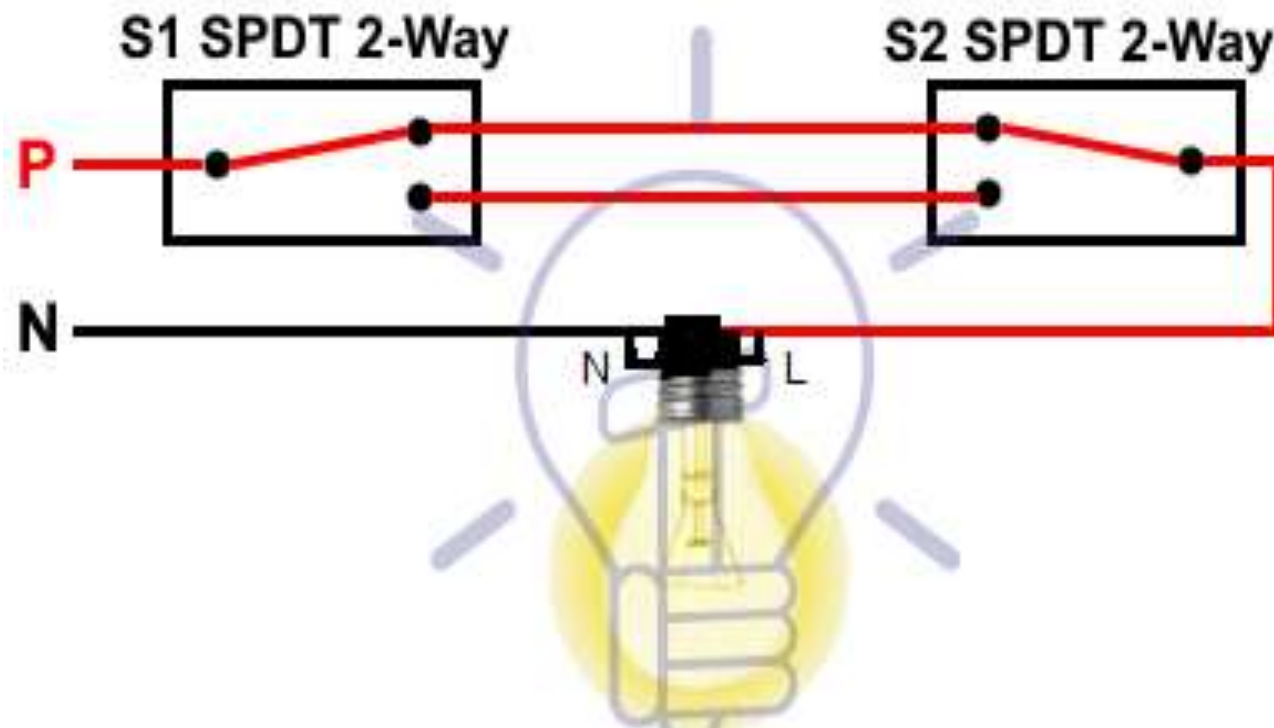
- **Staircase Wiring Circuit Diagram Connection**
- Here we can control a bulb from two different places by using two 2-way switches.





LAYOUT OF HOUSEHOLD WIRING

- **Staircase Wiring Circuit Diagram Connection**
- Here we can control a bulb from two different places by using two 2-way switches.

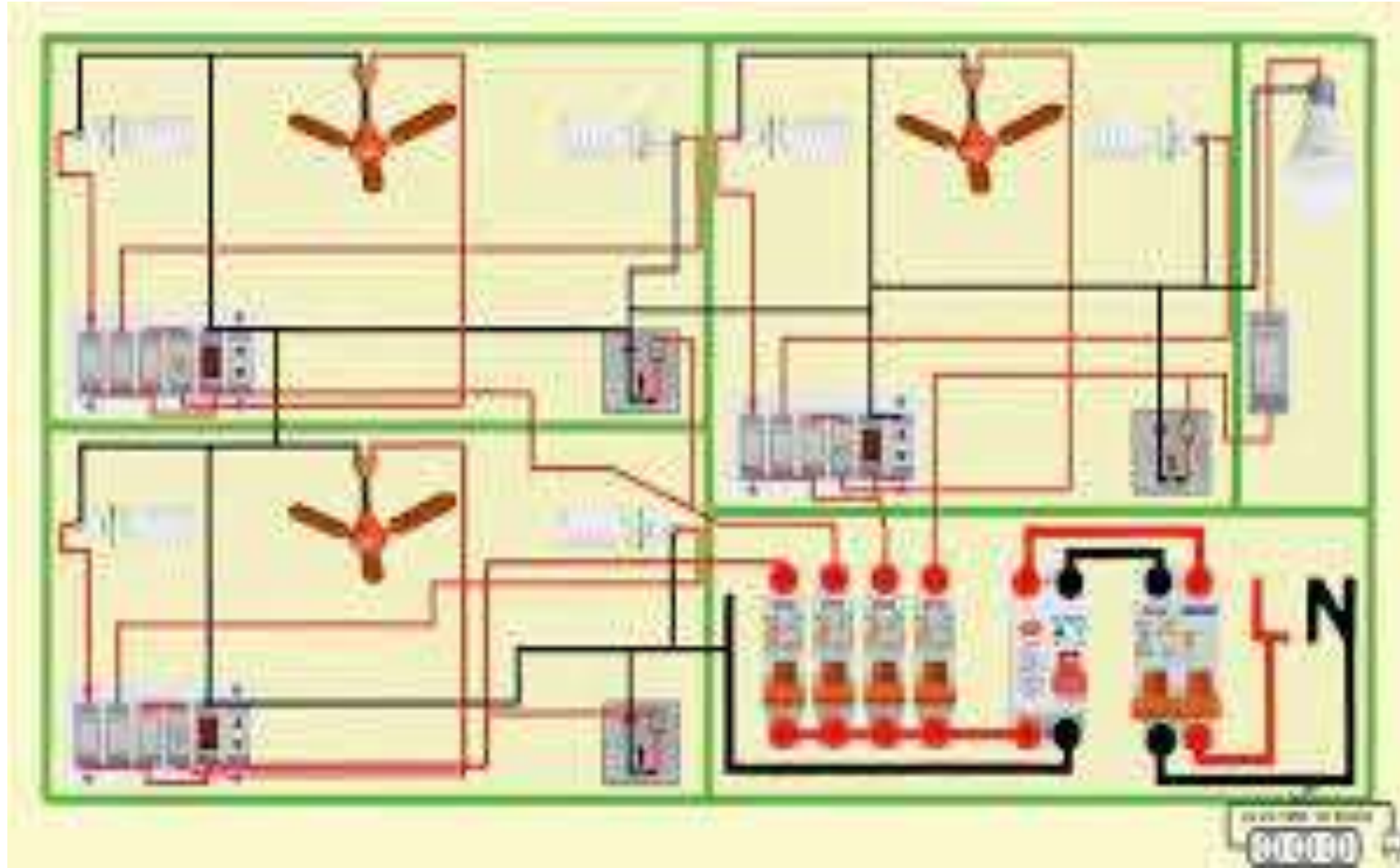




LAYOUT OF HOUSEHOLD WIRING



• MODEL 1

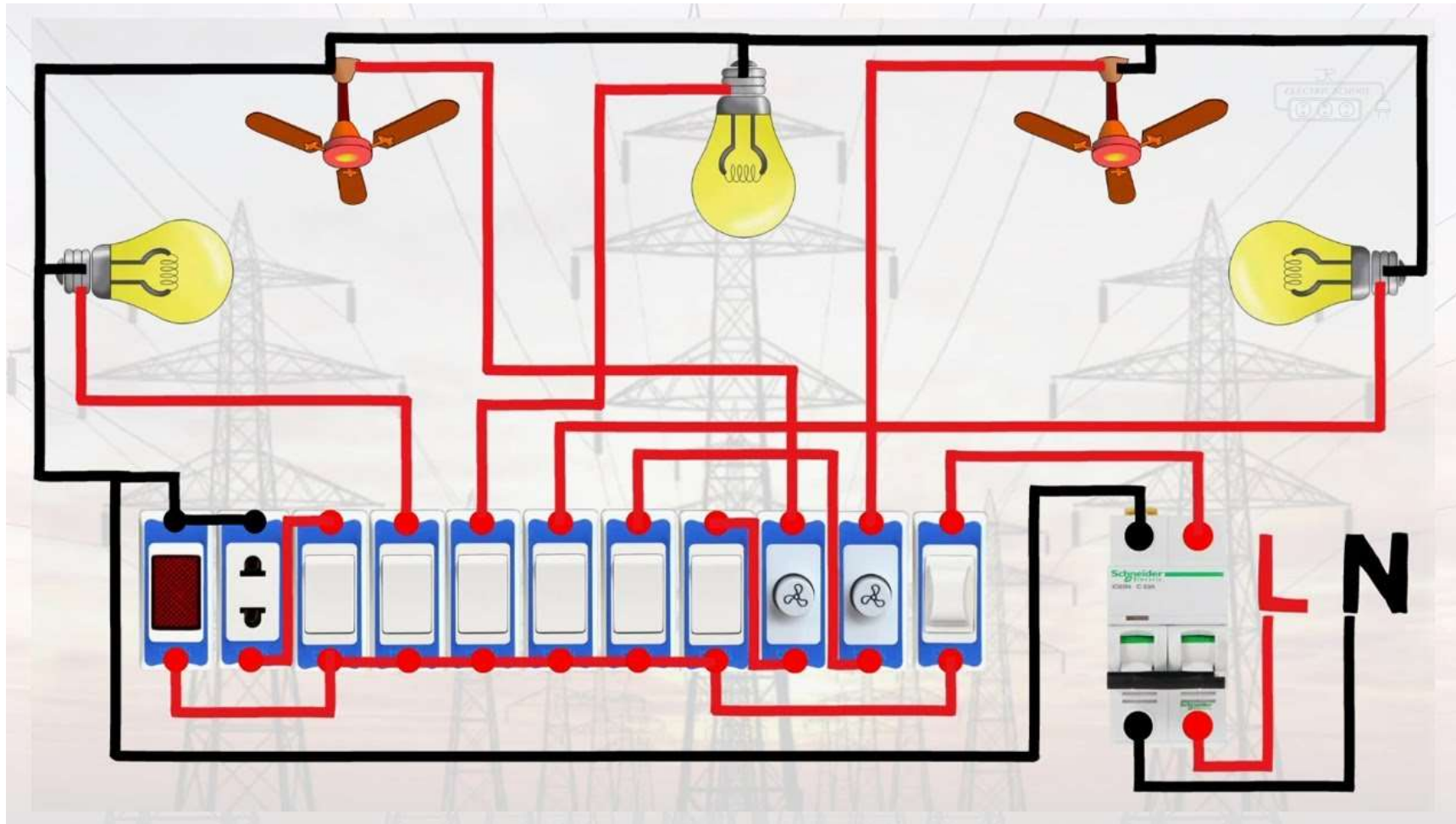




LAYOUT OF HOUSEHOLD WIRING



- MODEL 2

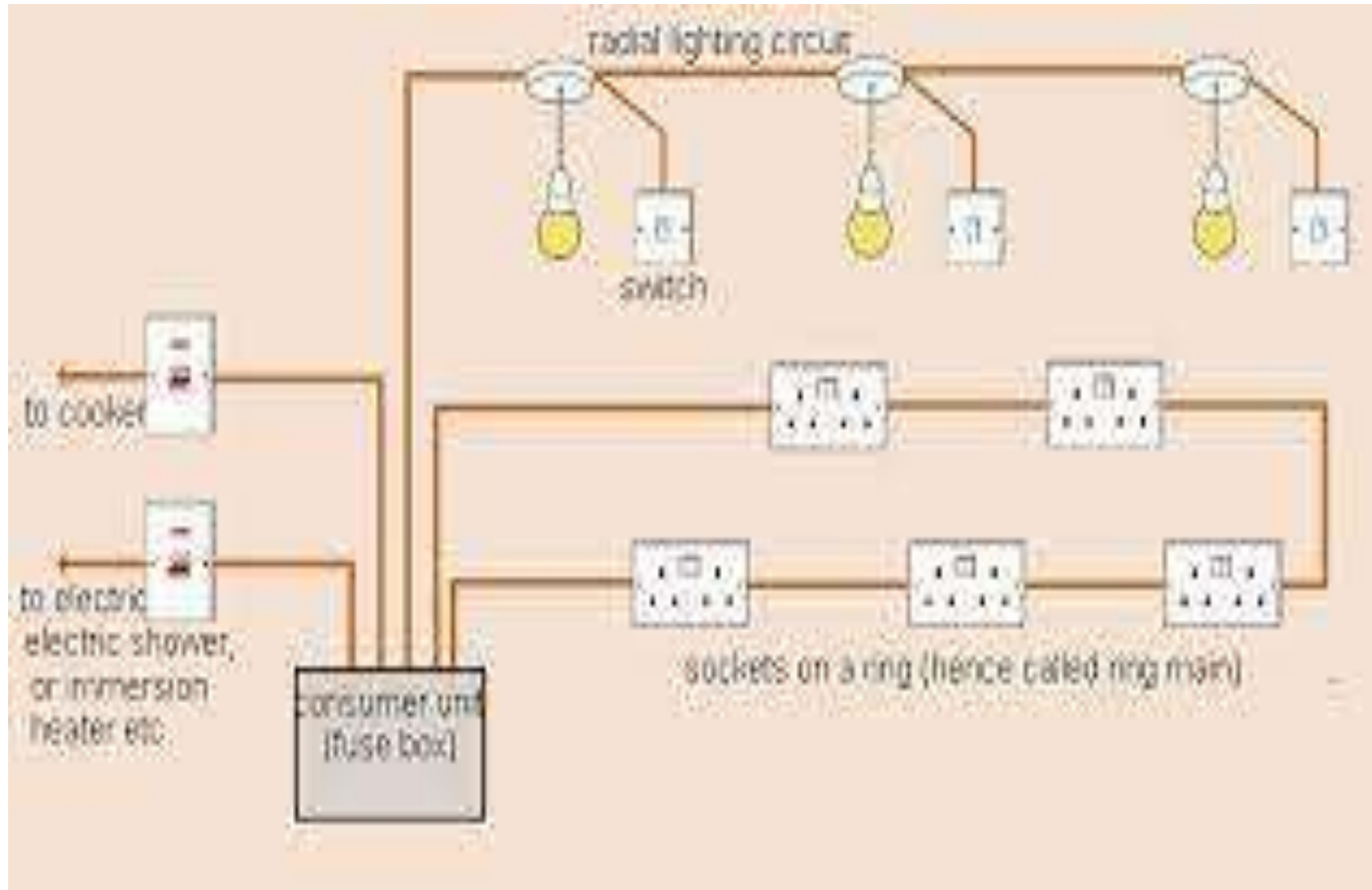




LAYOUT OF HOUSEHOLD WIRING



• MODEL 3

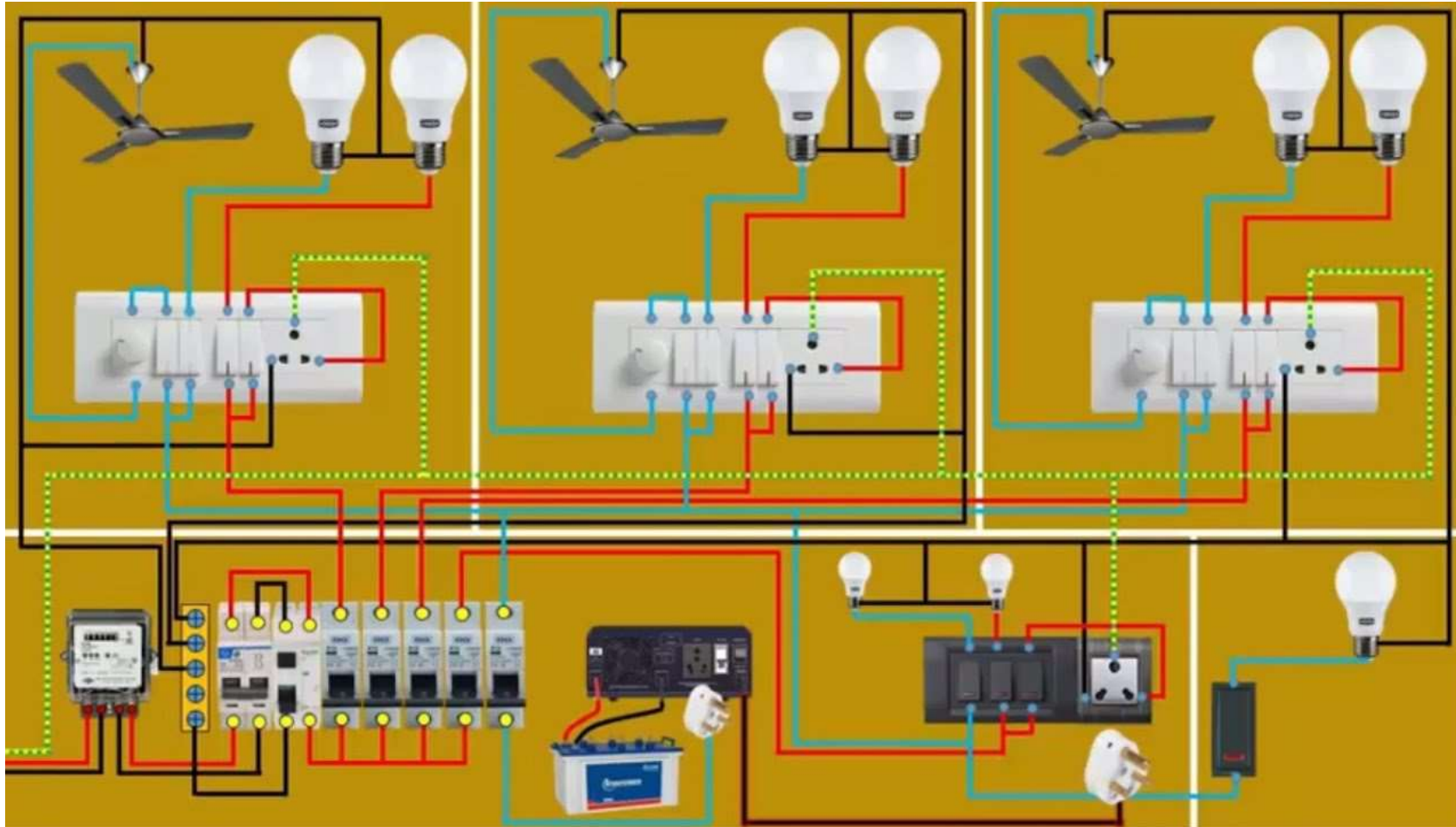




LAYOUT OF HOUSEHOLD WIRING



- **MODEL 4**





LAYOUT OF HOUSEHOLD WIRING



- **MODEL 5**

