



SNS COLLEGE OF TECHNOLOGY

Coimbatore-35
An Autonomous Institution



Accredited by NBA – AICTE and Accredited by NAAC – UGC with 'A+' Grade
Approved by AICTE, New Delhi & Affiliated to Anna University, Chennai

DEPARTMENT OF MECHANICAL ENGINEERING

19MET303– DESIGN OF Transmission System

III YEAR VISEM

UNIT 3-Worm and Bevel Gear

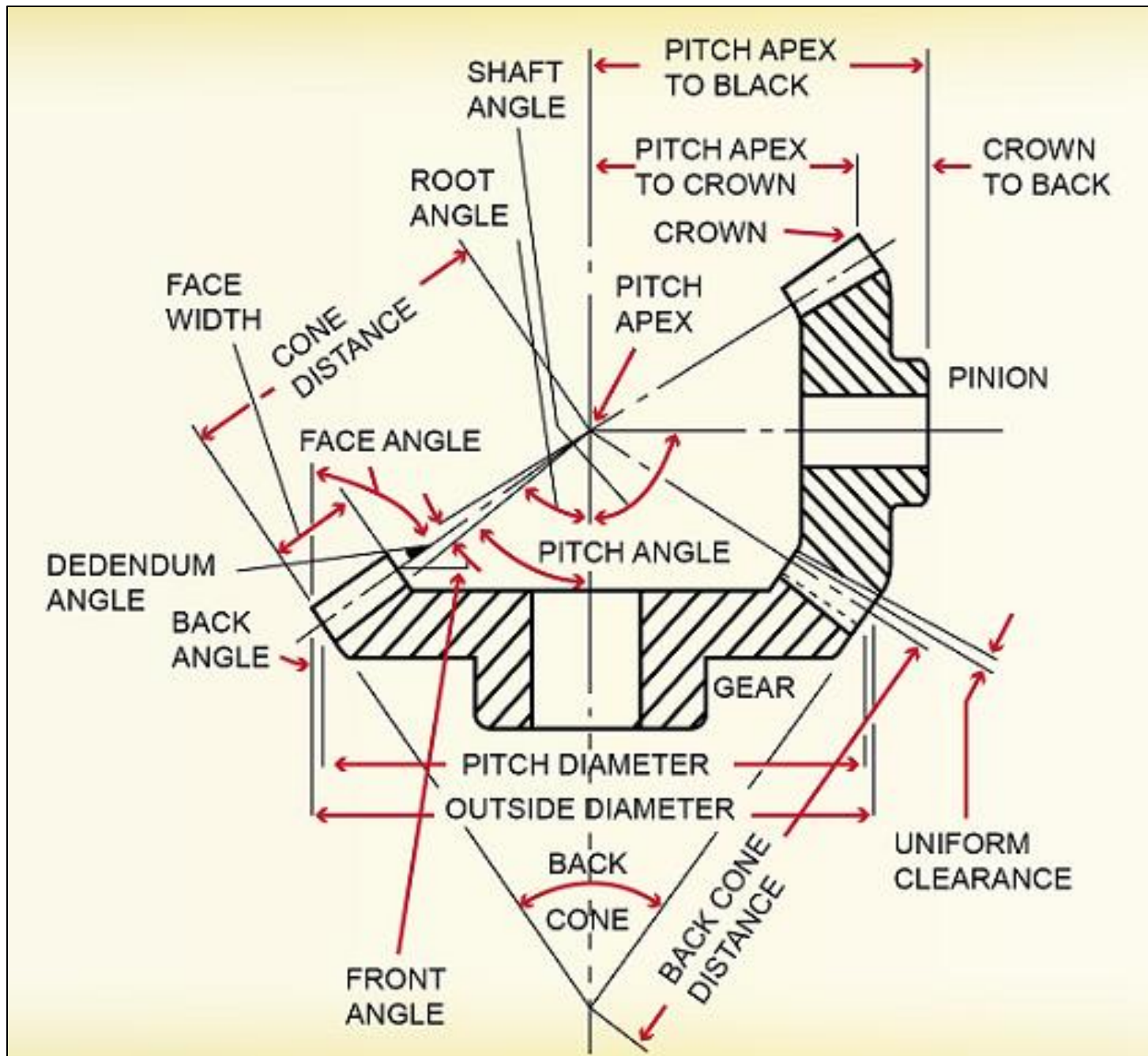
TOPIC:Bevel Gear

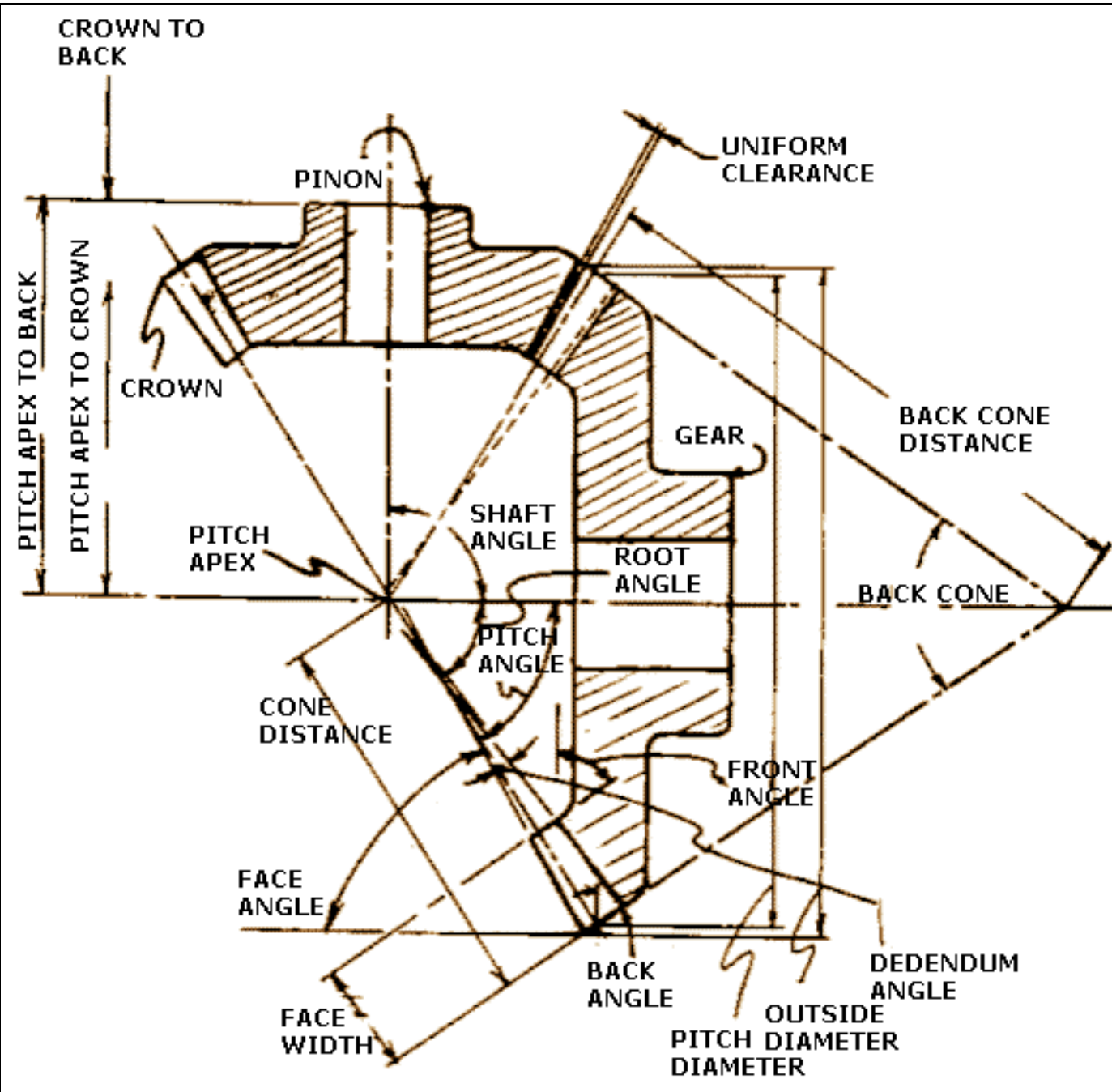


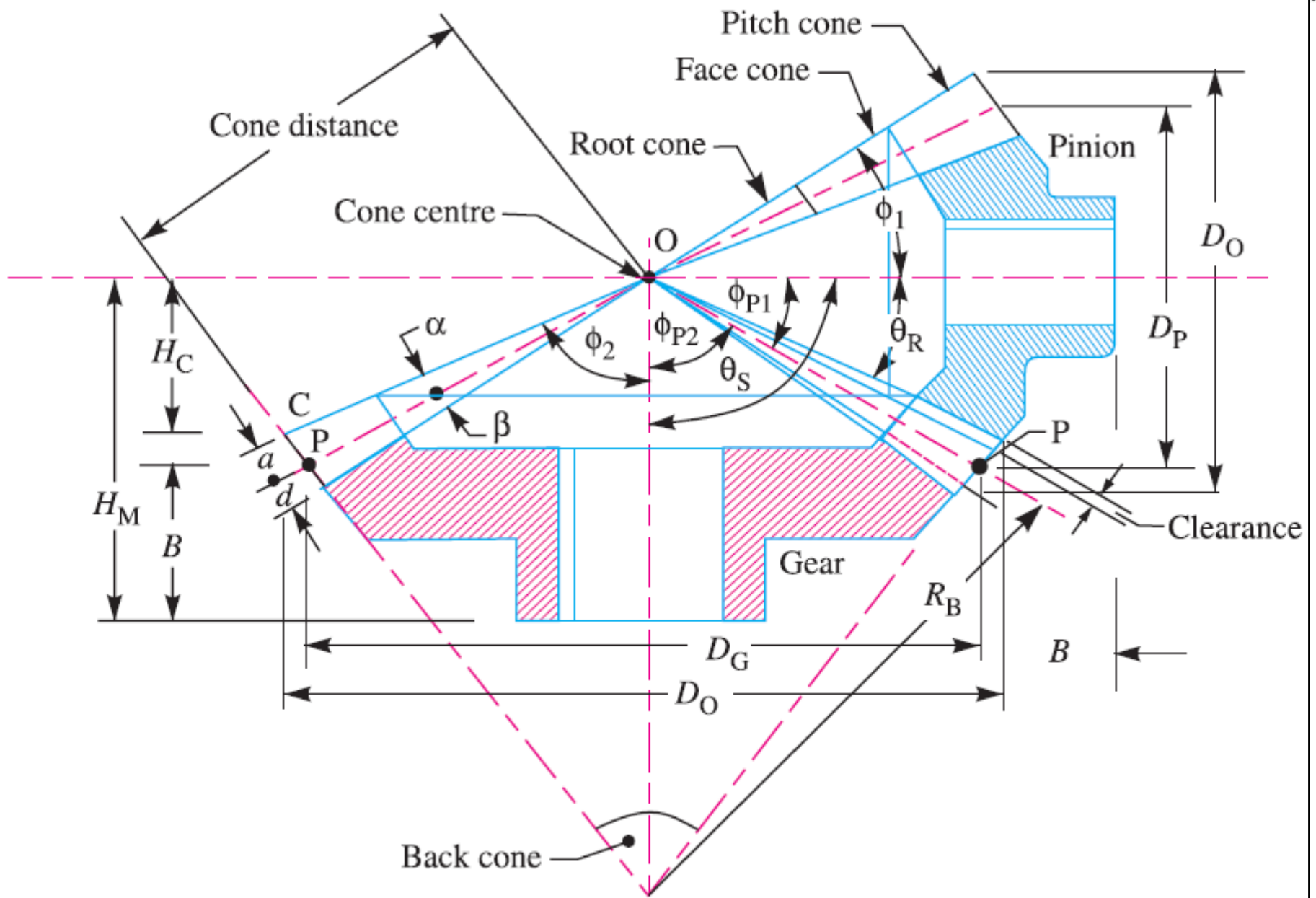
DESIGN OF BEVEL GEARS





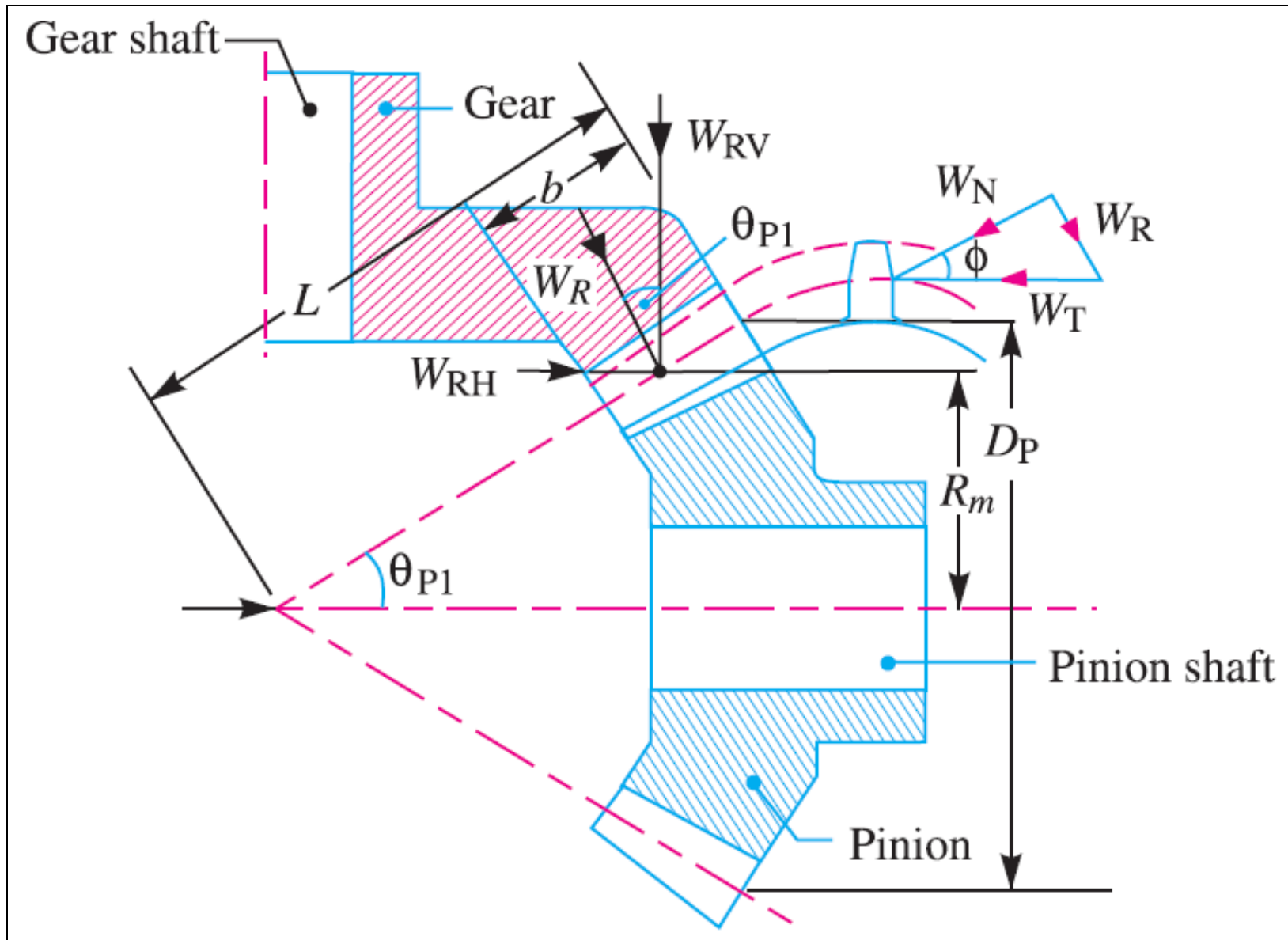






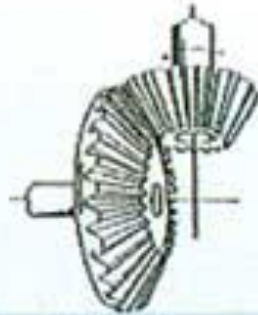


FORCES ACTING ON A BEVEL GEAR

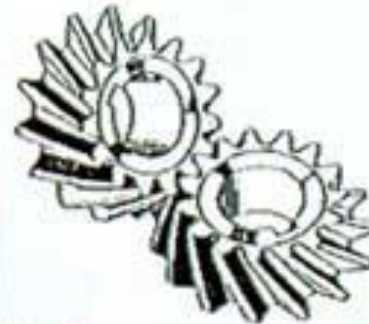




Spur Gears
Transmissions



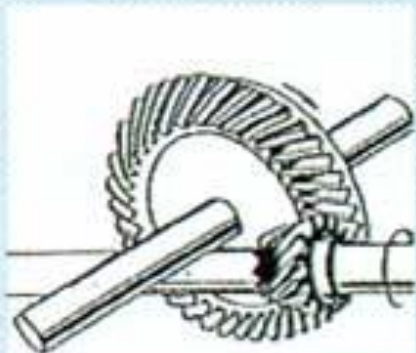
Straight Bevel Gears
Industrial Equipment
Some Differentials



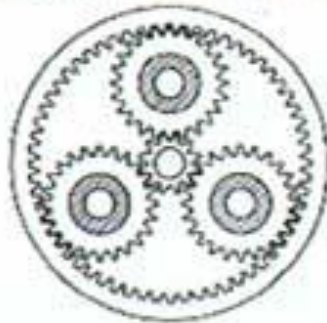
Spiral Bevel Gears
Industrial Equipment
Some Differentials



Worm Gear Set
Gear Reduction Boxes



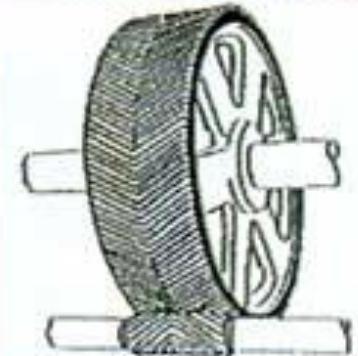
Hypoid Gears
Differentials



Planetary Gear Set
Transmissions



Helical Gears
Transmissions



Herringbone Gears
Transmissions



STRAIGHT BEVEL GEARS

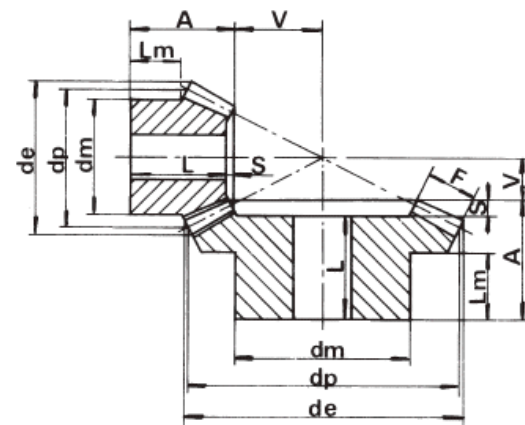
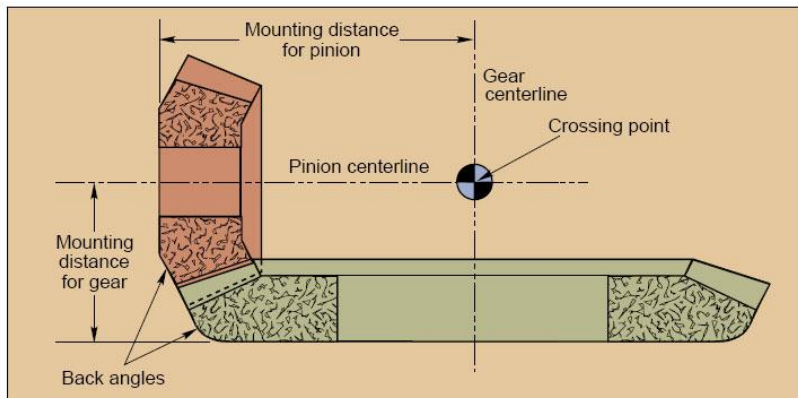
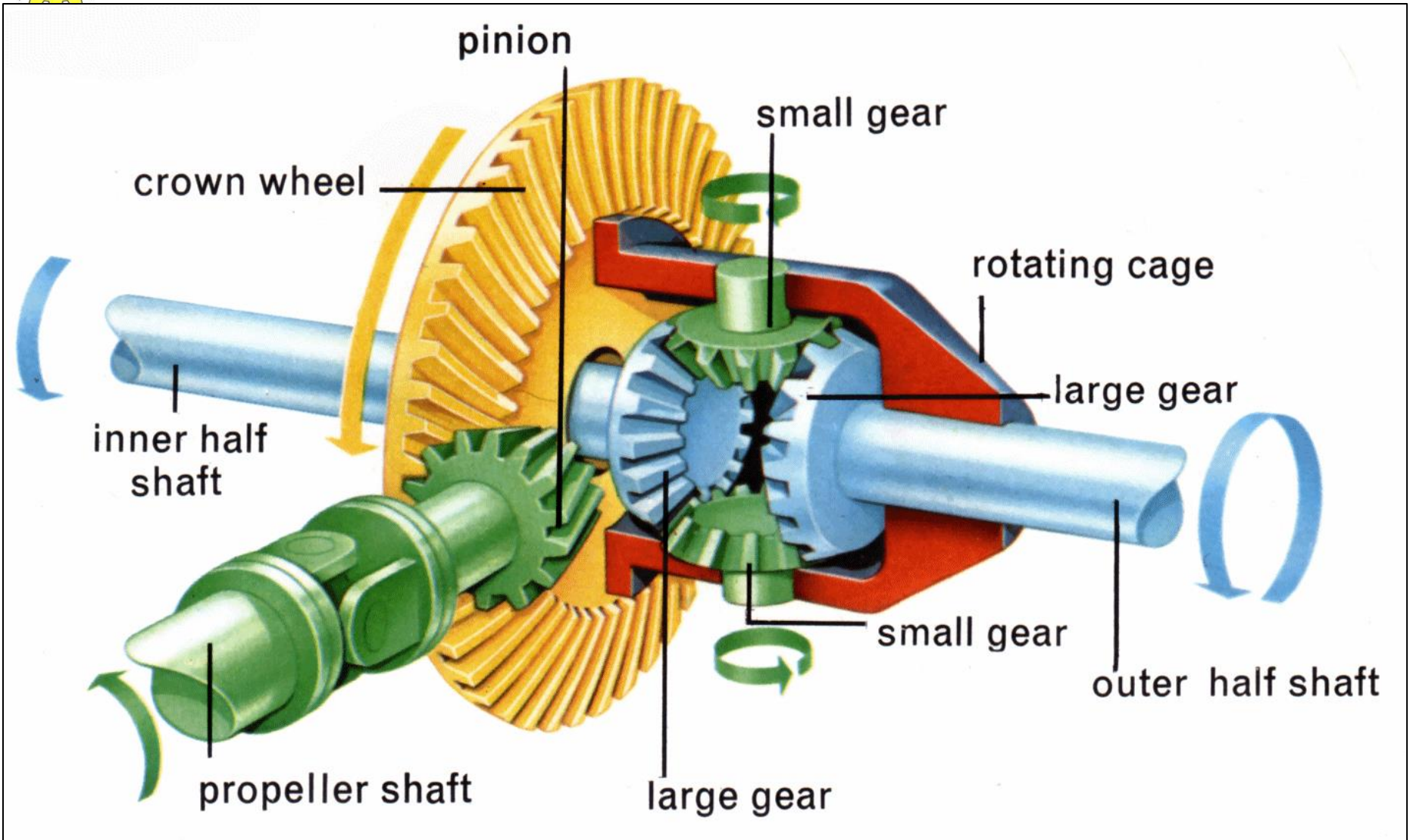


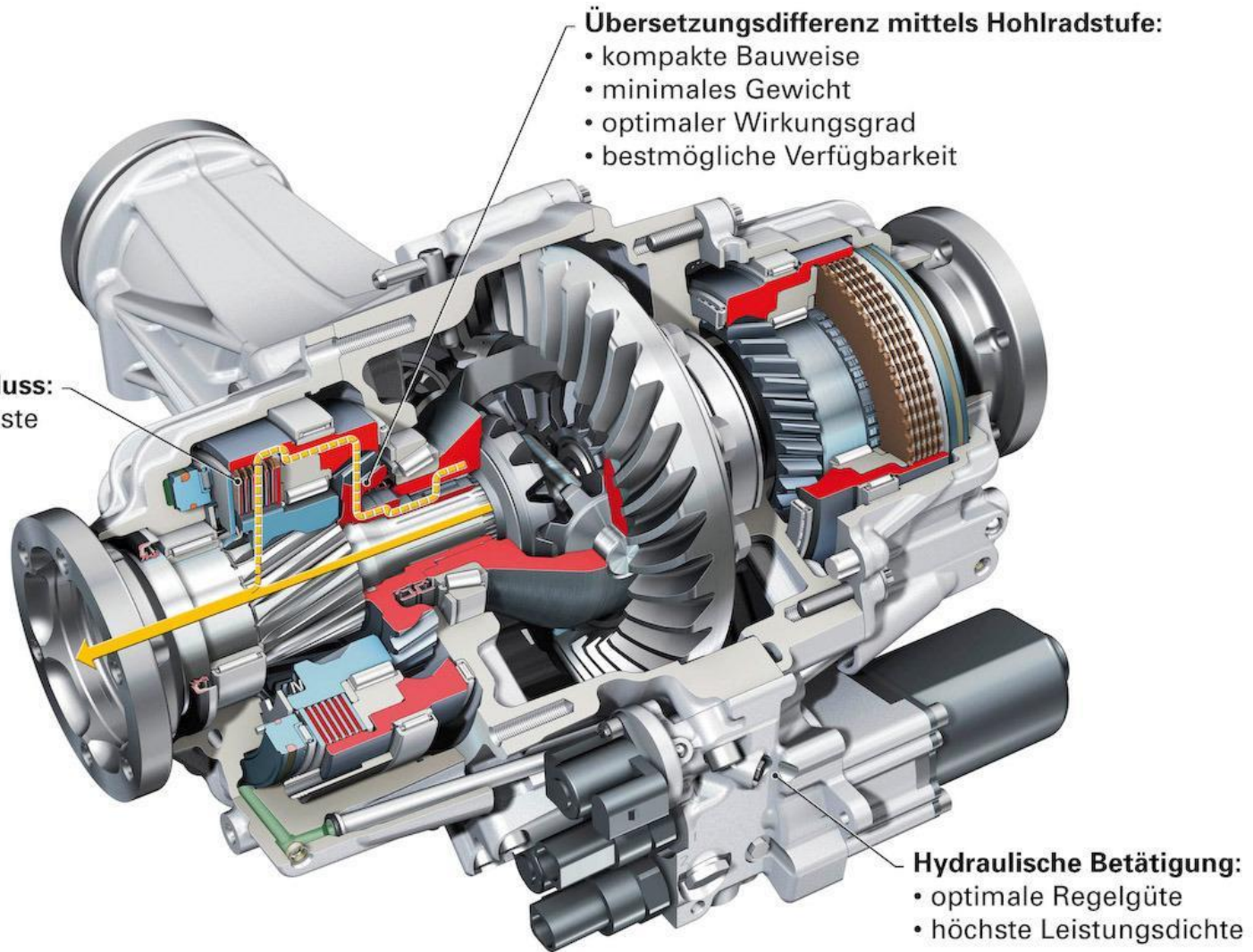
Figure 1 — Mounting distances used for assembling bevel gears.





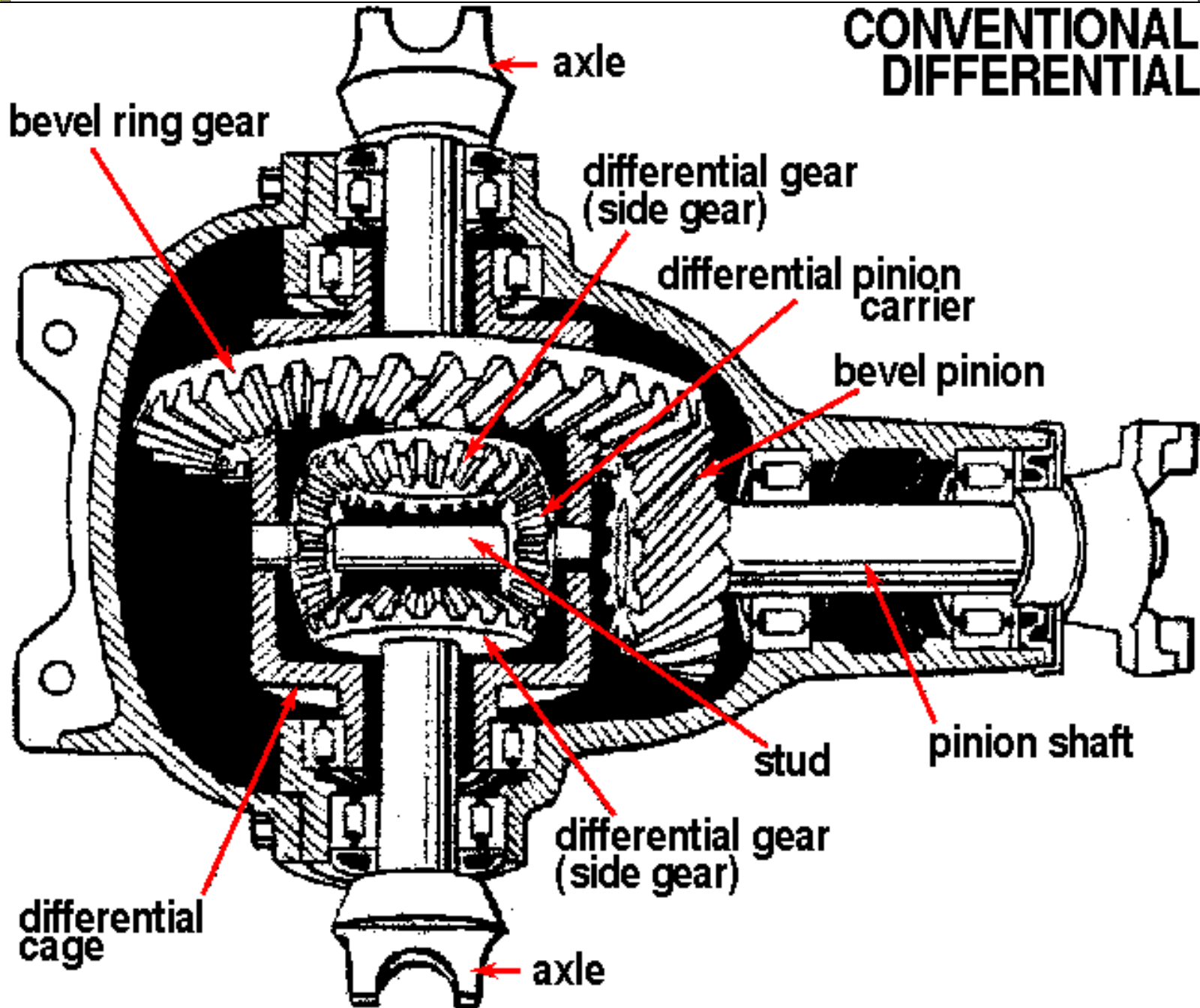
Audi car differential

03/07





CONVENTIONAL DIFFERENTIAL



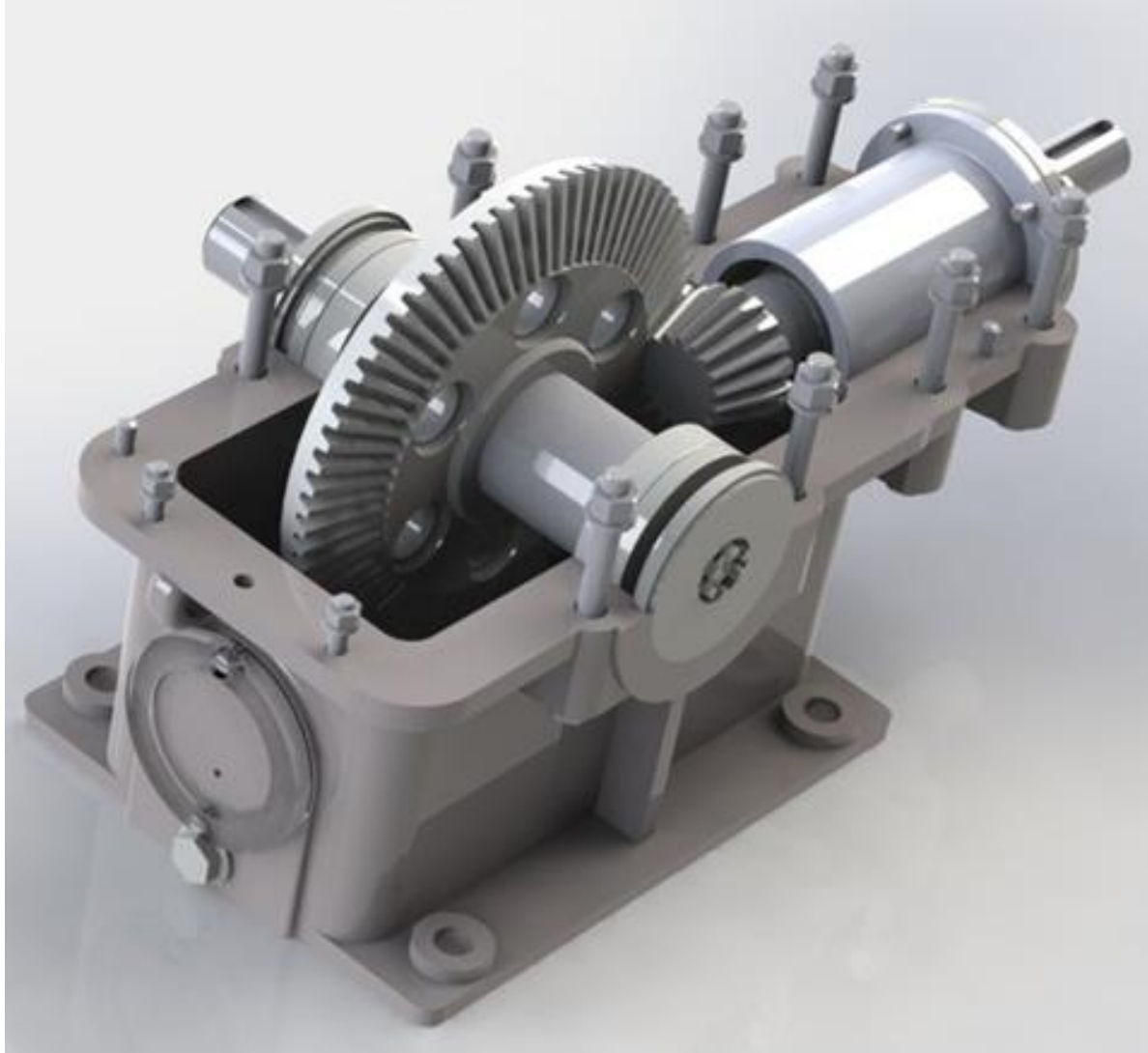


BEVEL GEAR



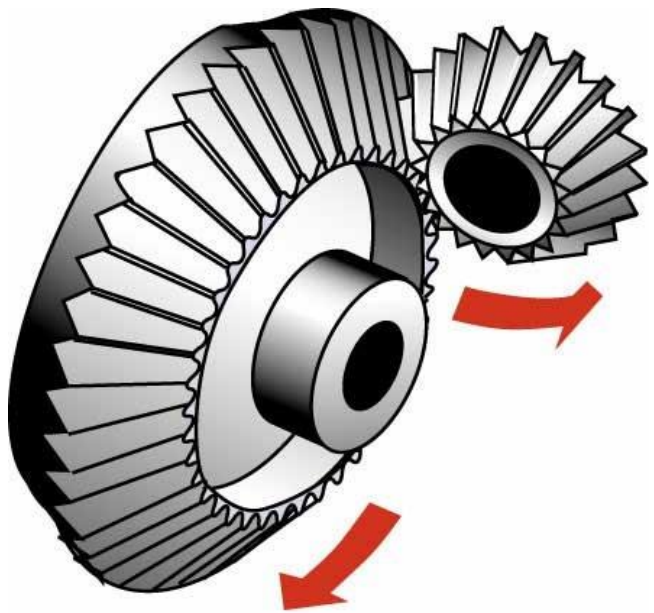


BEVEL GEAR



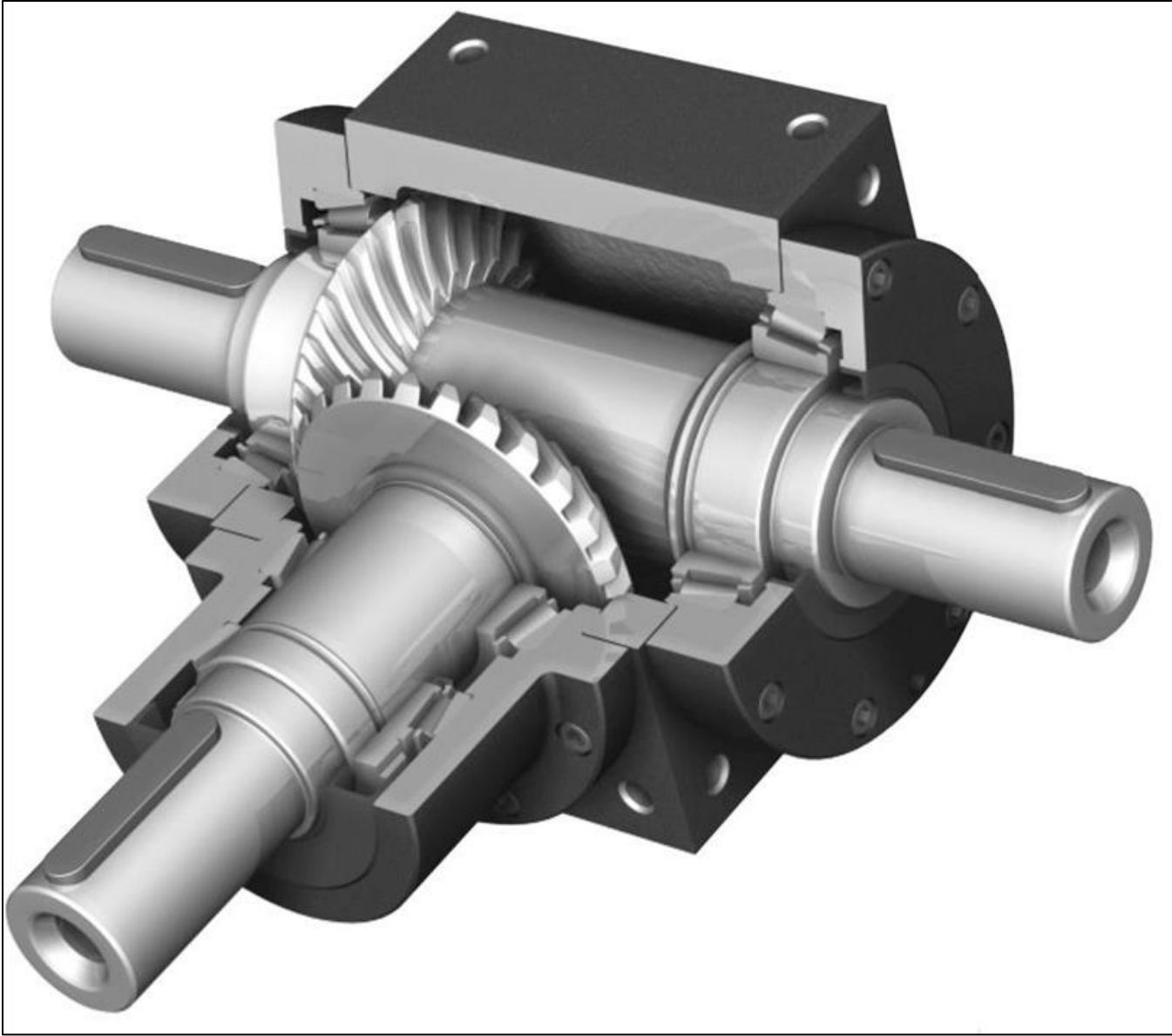


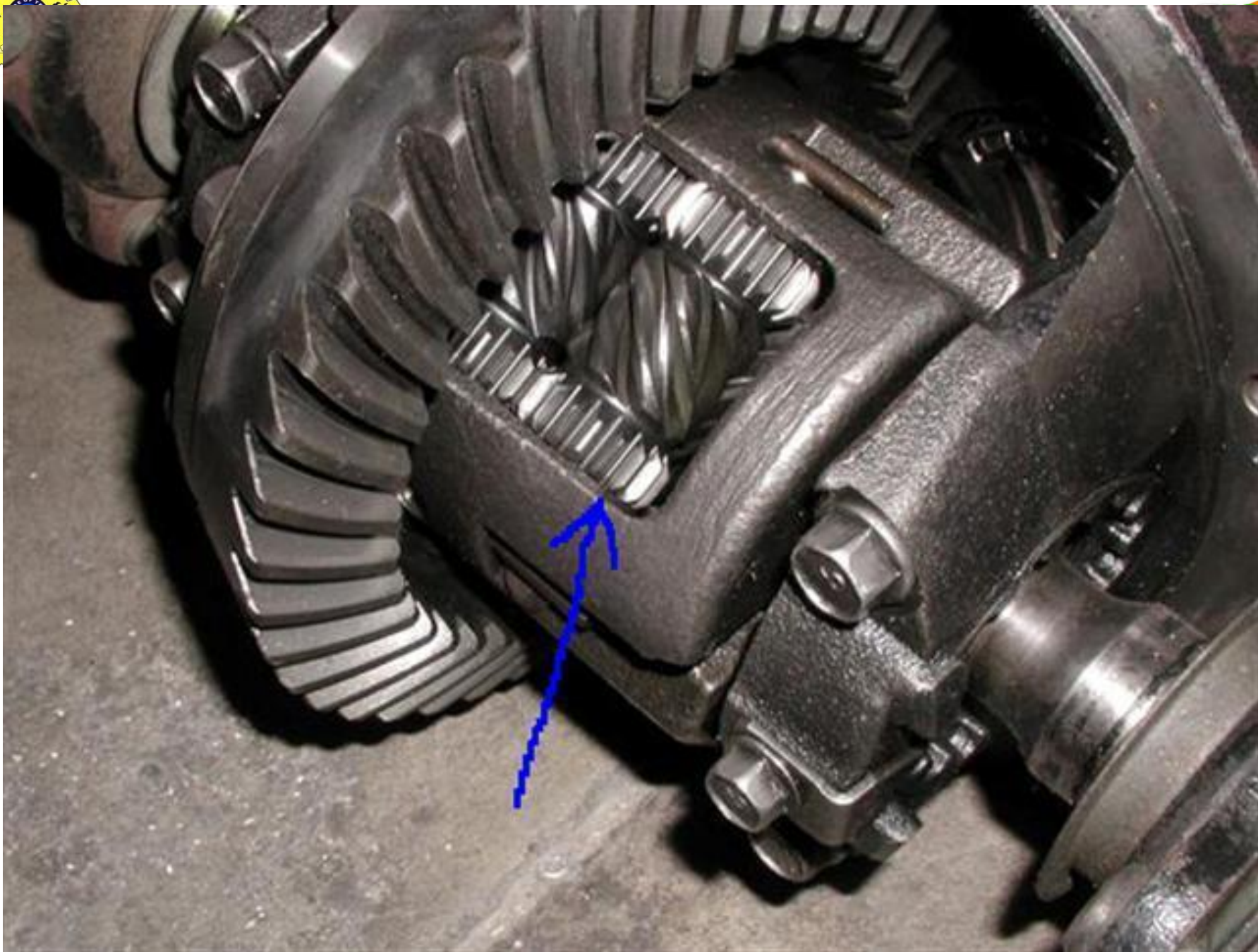
BEVEL GEAR





BEVEL GEAR







STRAIGHT AND SPIRAL BEVEL GEARS





SPIRAL BEVEL GEAR



baoxin.en.alibaba.com

17/04/2008 11:22



SPIRAL BEVEL GEAR



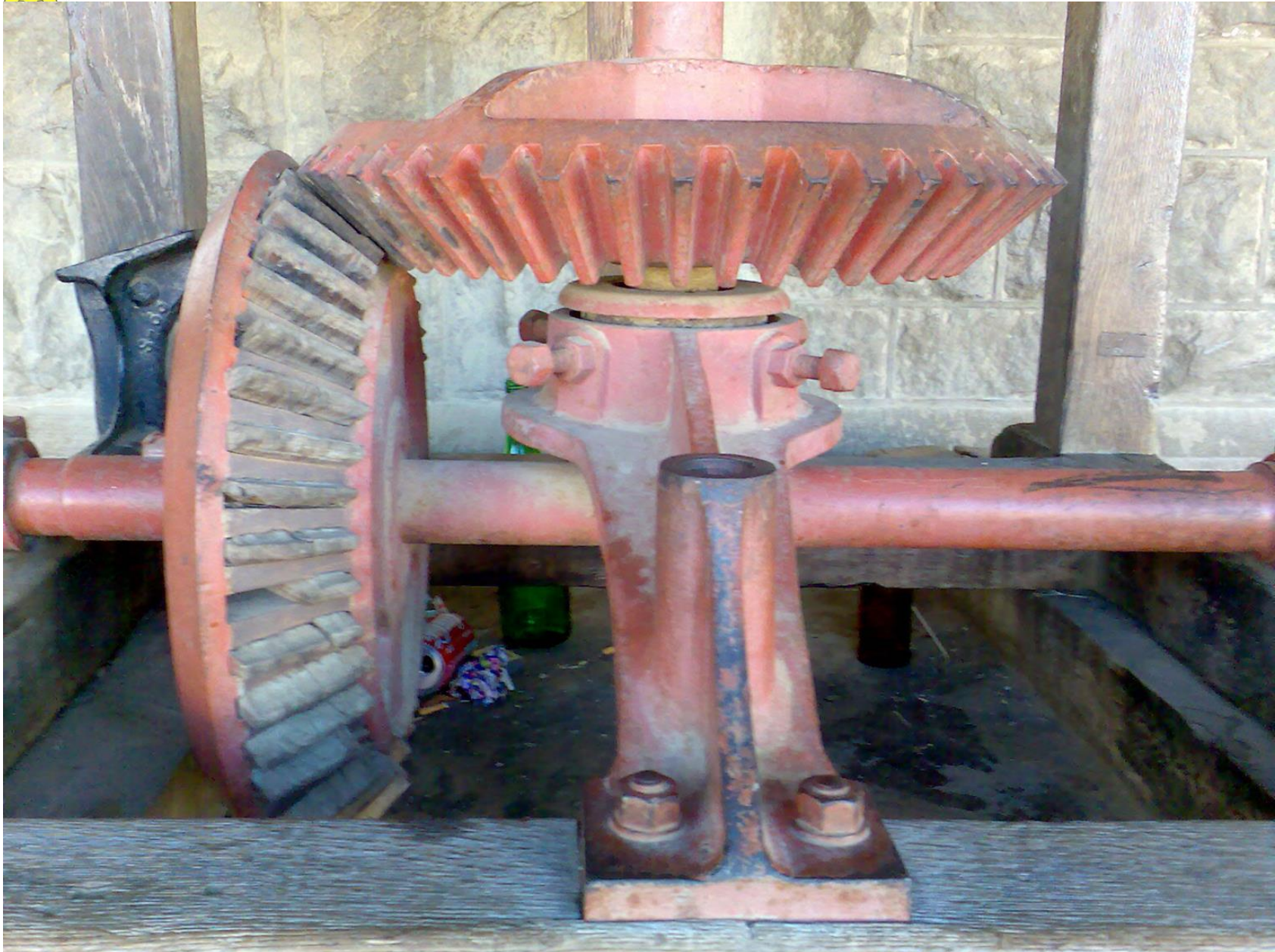


SPIRAL BEVEL GEAR





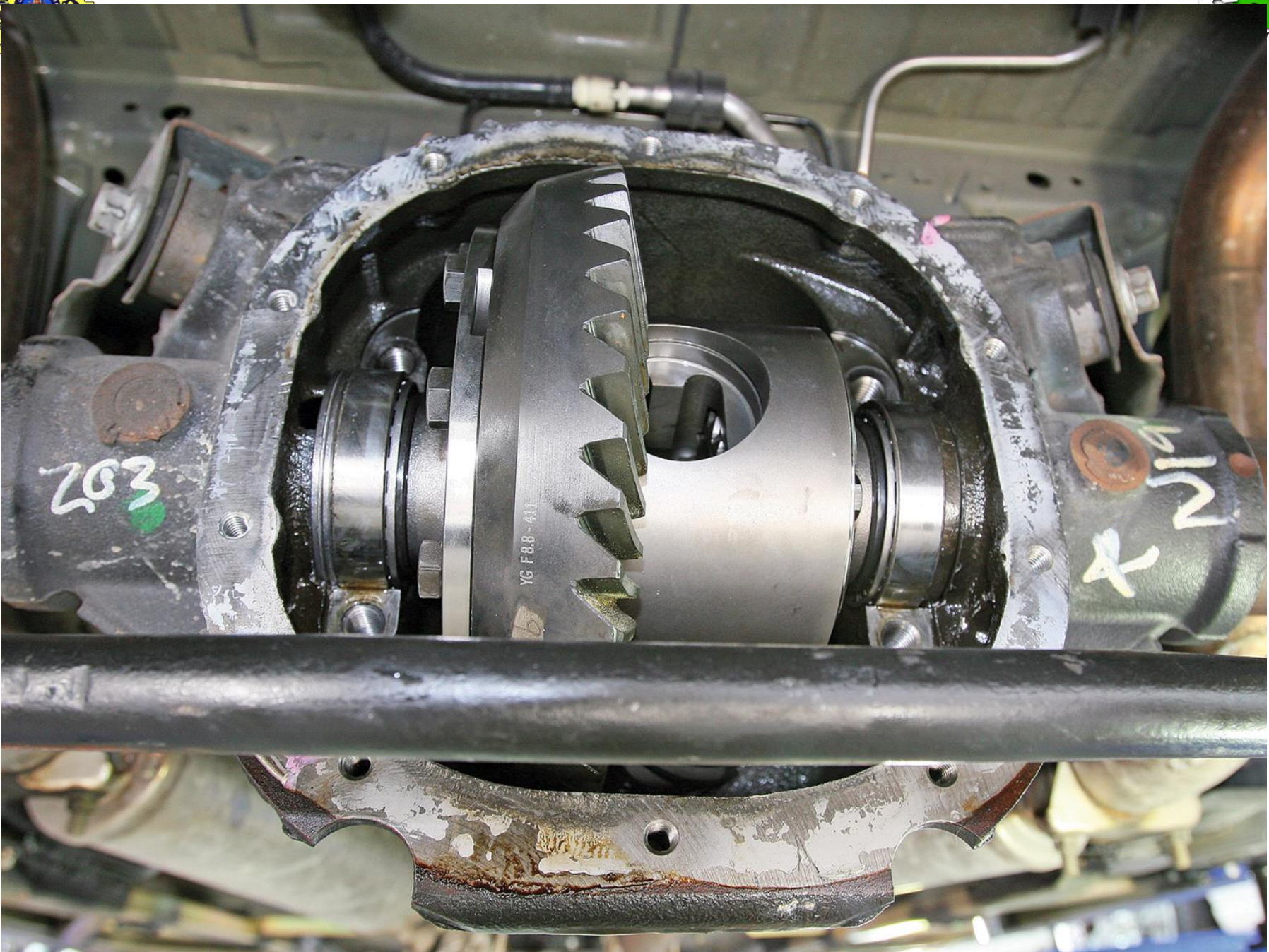
STRAIGHT BEVEL GEAR





CNC Machined Steel Bevel Pinion and Bevel Gear for the Gearbox Manufacturing Industry

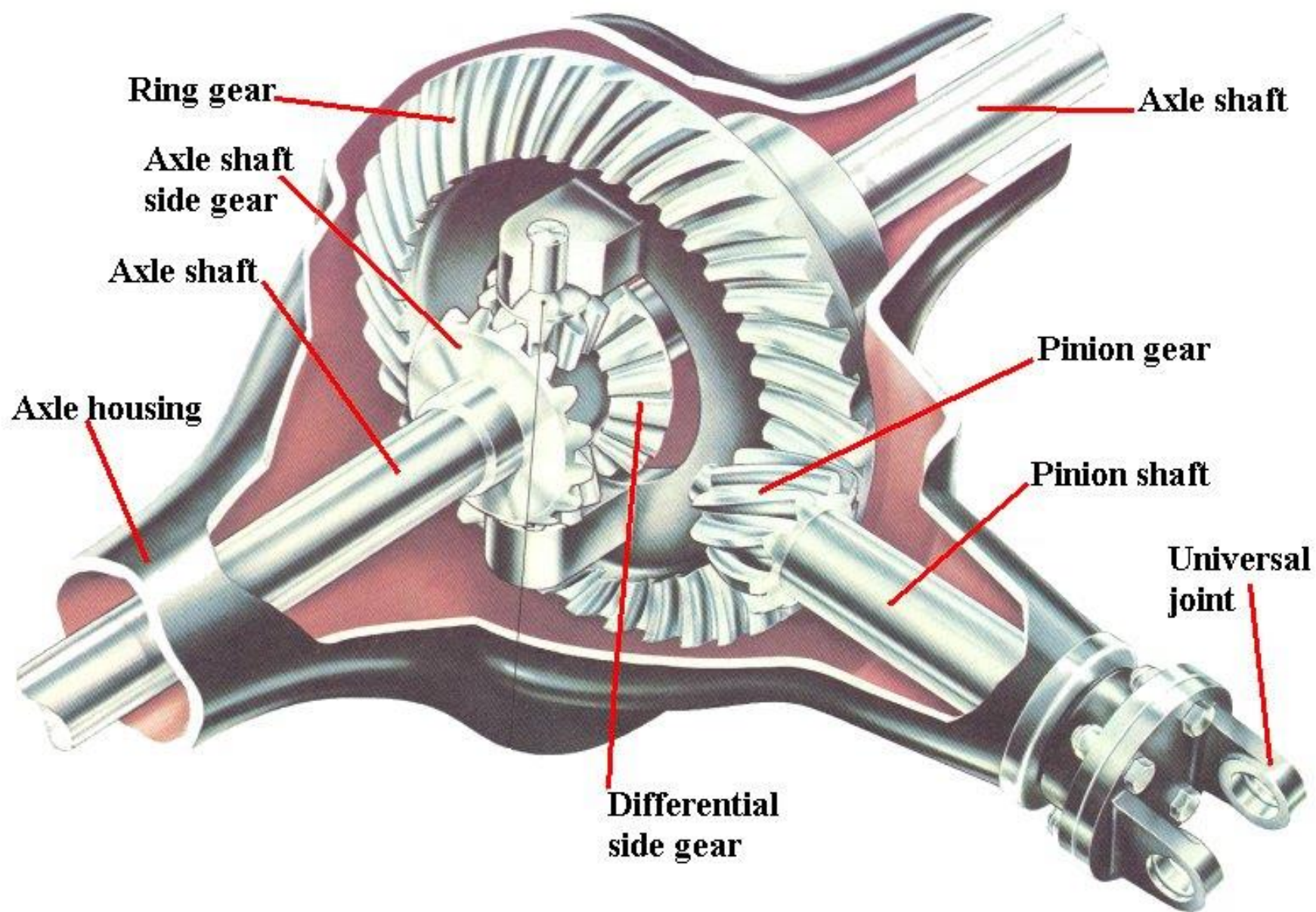


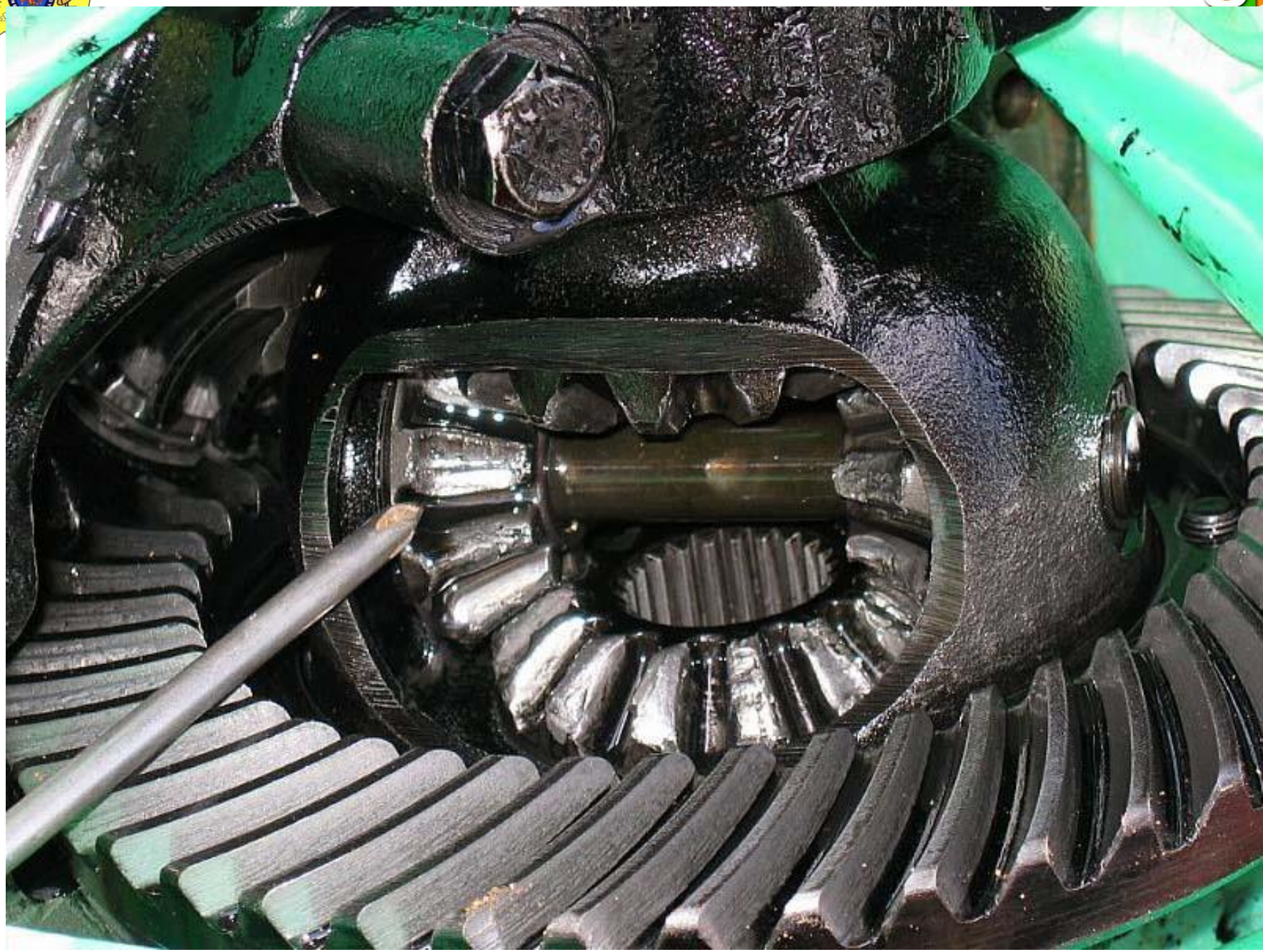


307

YG F8.8-41L

X 21







BEVEL GEAR FAILURES



Finished hypoid 38" gear set for a paper pulper cut by 3/16 ball end mill.



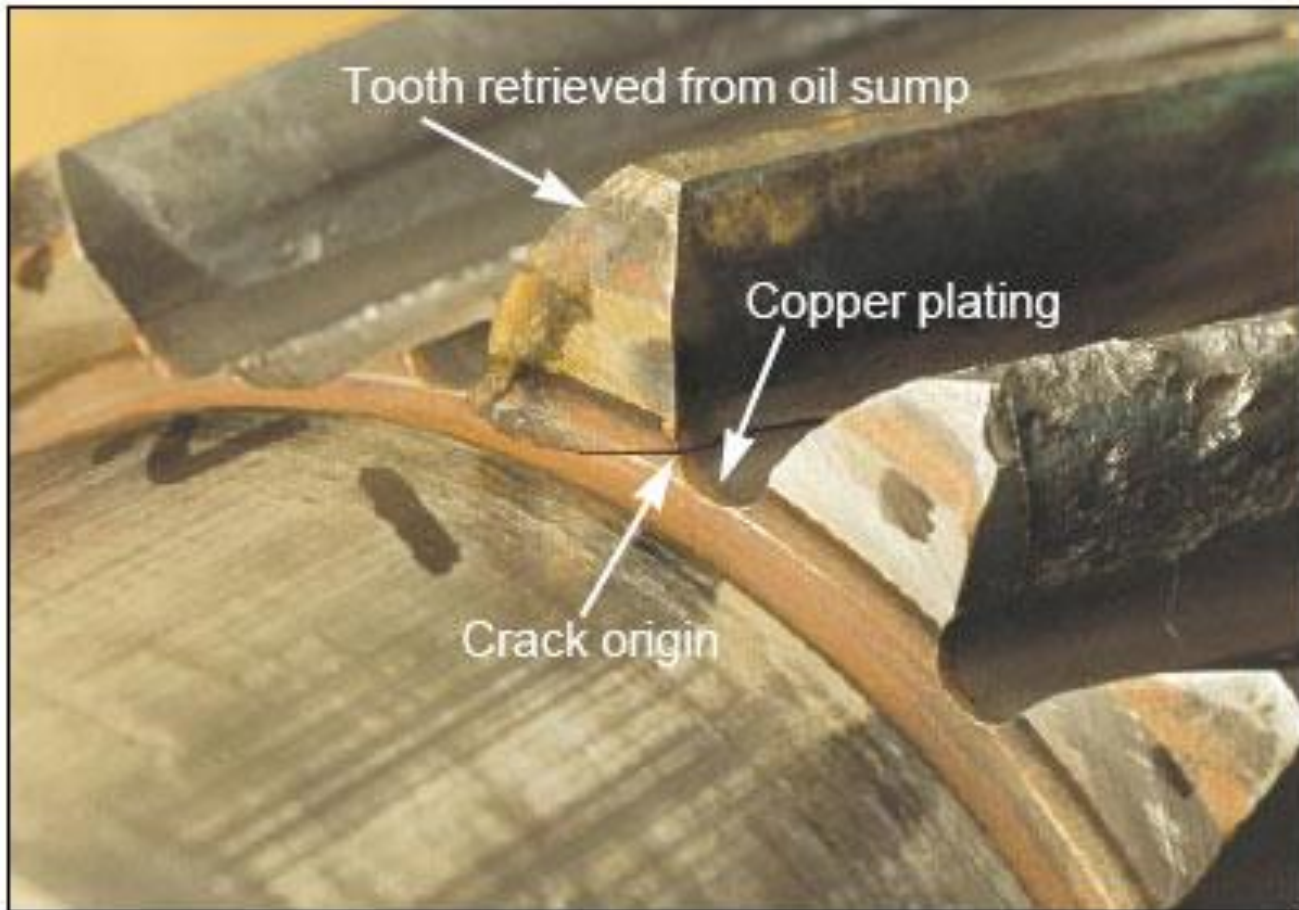


Figure 1 — Fatigue crack failures in tooth root fillets of a pinion in a wind turbine gearbox were traced to copper plating.



Figure 3. Fatigue Crack in Gear Tooth Root Fillet.



NKE

BEAR





