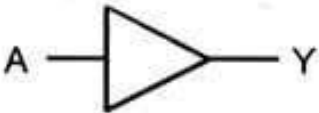
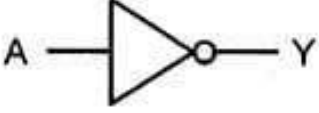
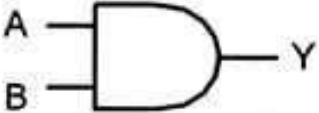
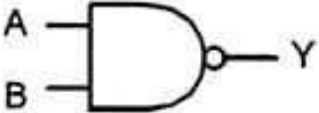
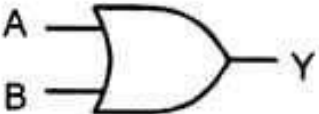
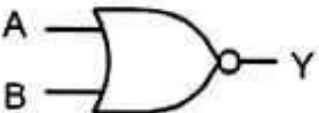




Logic function	Logic symbol	Truth table	Boolean expression															
Buffer		<table border="1"> <thead> <tr><th>A</th><th>Y</th></tr> </thead> <tbody> <tr><td>0</td><td>0</td></tr> <tr><td>1</td><td>1</td></tr> </tbody> </table>	A	Y	0	0	1	1	$Y = A$									
A	Y																	
0	0																	
1	1																	
Inverter (NOT gate)		<table border="1"> <thead> <tr><th>A</th><th>Y</th></tr> </thead> <tbody> <tr><td>0</td><td>1</td></tr> <tr><td>1</td><td>0</td></tr> </tbody> </table>	A	Y	0	1	1	0	$Y = \bar{A}$									
A	Y																	
0	1																	
1	0																	
2-input AND gate		<table border="1"> <thead> <tr><th>A</th><th>B</th><th>Y</th></tr> </thead> <tbody> <tr><td>0</td><td>0</td><td>0</td></tr> <tr><td>0</td><td>1</td><td>0</td></tr> <tr><td>1</td><td>0</td><td>0</td></tr> <tr><td>1</td><td>1</td><td>1</td></tr> </tbody> </table>	A	B	Y	0	0	0	0	1	0	1	0	0	1	1	1	$Y = A \cdot B$
A	B	Y																
0	0	0																
0	1	0																
1	0	0																
1	1	1																
2-input NAND gate		<table border="1"> <thead> <tr><th>A</th><th>B</th><th>Y</th></tr> </thead> <tbody> <tr><td>0</td><td>0</td><td>1</td></tr> <tr><td>0</td><td>1</td><td>1</td></tr> <tr><td>1</td><td>0</td><td>1</td></tr> <tr><td>1</td><td>1</td><td>0</td></tr> </tbody> </table>	A	B	Y	0	0	1	0	1	1	1	0	1	1	1	0	$Y = \overline{A \cdot B}$
A	B	Y																
0	0	1																
0	1	1																
1	0	1																
1	1	0																
2-input OR gate		<table border="1"> <thead> <tr><th>A</th><th>B</th><th>Y</th></tr> </thead> <tbody> <tr><td>0</td><td>0</td><td>0</td></tr> <tr><td>0</td><td>1</td><td>1</td></tr> <tr><td>1</td><td>0</td><td>1</td></tr> <tr><td>1</td><td>1</td><td>1</td></tr> </tbody> </table>	A	B	Y	0	0	0	0	1	1	1	0	1	1	1	1	$Y = A + B$
A	B	Y																
0	0	0																
0	1	1																
1	0	1																
1	1	1																
2-input NOR gate		<table border="1"> <thead> <tr><th>A</th><th>B</th><th>Y</th></tr> </thead> <tbody> <tr><td>0</td><td>0</td><td>1</td></tr> <tr><td>0</td><td>1</td><td>0</td></tr> <tr><td>1</td><td>0</td><td>0</td></tr> <tr><td>1</td><td>1</td><td>0</td></tr> </tbody> </table>	A	B	Y	0	0	1	0	1	0	1	0	0	1	1	0	$Y = \overline{A + B}$
A	B	Y																
0	0	1																
0	1	0																
1	0	0																
1	1	0																
2-input X-OR gate		<table border="1"> <thead> <tr><th>A</th><th>B</th><th>Y</th></tr> </thead> <tbody> <tr><td>0</td><td>0</td><td>0</td></tr> <tr><td>0</td><td>1</td><td>1</td></tr> <tr><td>1</td><td>0</td><td>1</td></tr> <tr><td>1</td><td>1</td><td>0</td></tr> </tbody> </table>	A	B	Y	0	0	0	0	1	1	1	0	1	1	1	0	$Y = A \oplus B$
A	B	Y																
0	0	0																
0	1	1																
1	0	1																
1	1	0																
2-input X-NOR gate		<table border="1"> <thead> <tr><th>A</th><th>B</th><th>Y</th></tr> </thead> <tbody> <tr><td>0</td><td>0</td><td>1</td></tr> <tr><td>0</td><td>1</td><td>0</td></tr> <tr><td>1</td><td>0</td><td>0</td></tr> <tr><td>1</td><td>1</td><td>1</td></tr> </tbody> </table>	A	B	Y	0	0	1	0	1	0	1	0	0	1	1	1	$Y = \overline{A \oplus B}$
A	B	Y																
0	0	1																
0	1	0																
1	0	0																
1	1	1																