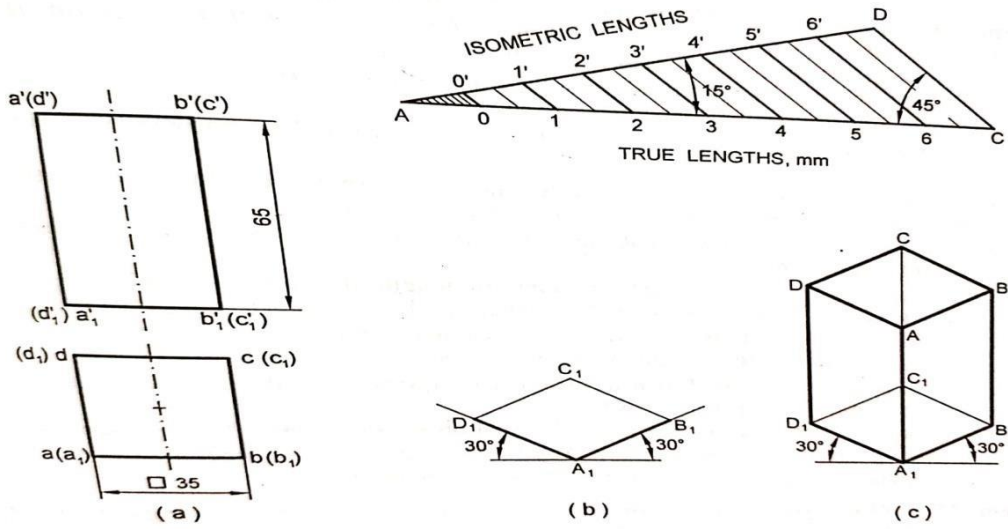




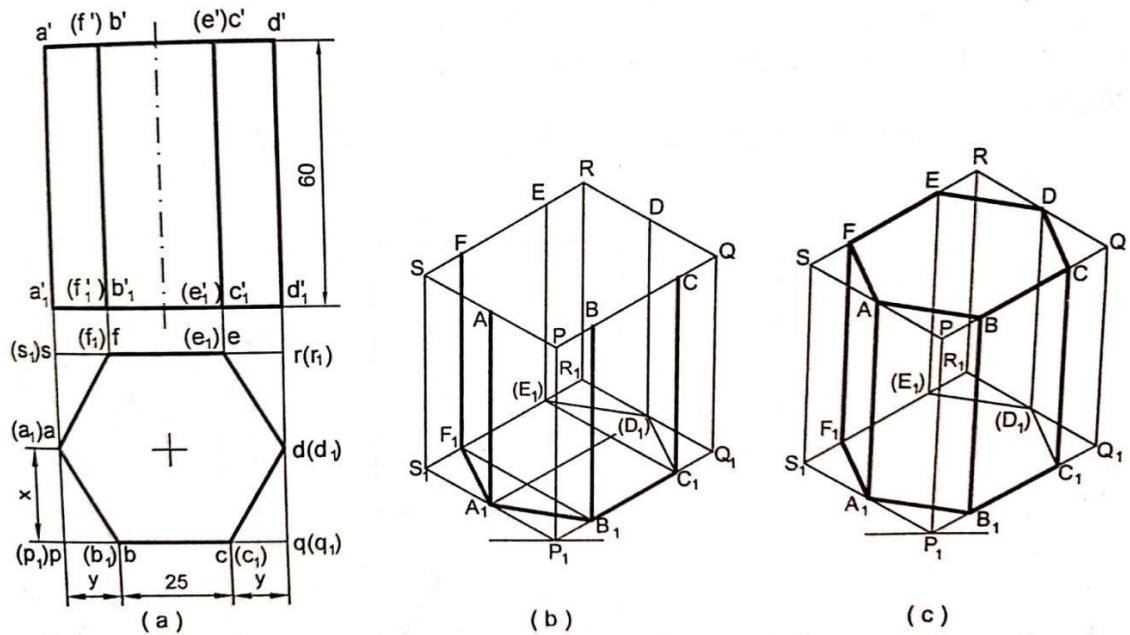
SNS COLLEGE OF TECHNOLOGY, COIMBATORE – 35
DEPARTMENT OF MECHANICAL ENGINEERING
ISOMETRIC PROJECTION



1. Draw the isometric Projection of Square Prism of side of base 35mm and height 65mm when its Axis is (i) Vertical.

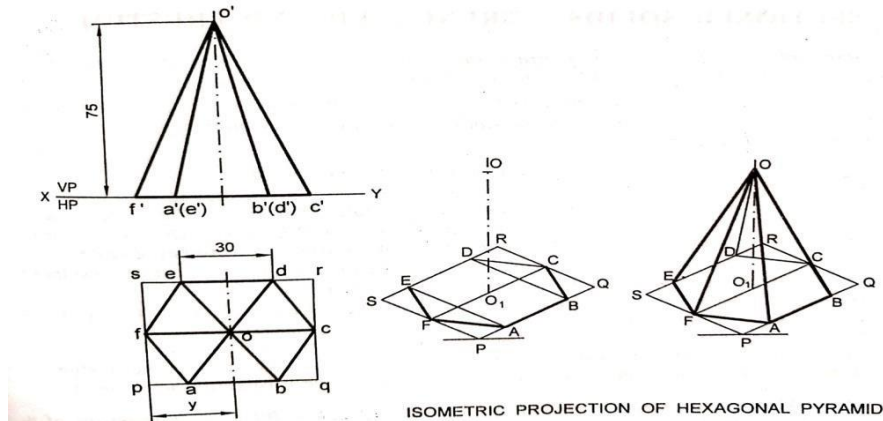


2. Draw the isometric Projection of Hexagonal Prism of side of base 25mm and height 60mm and one of the edge of the base is Perpendicular to VP.

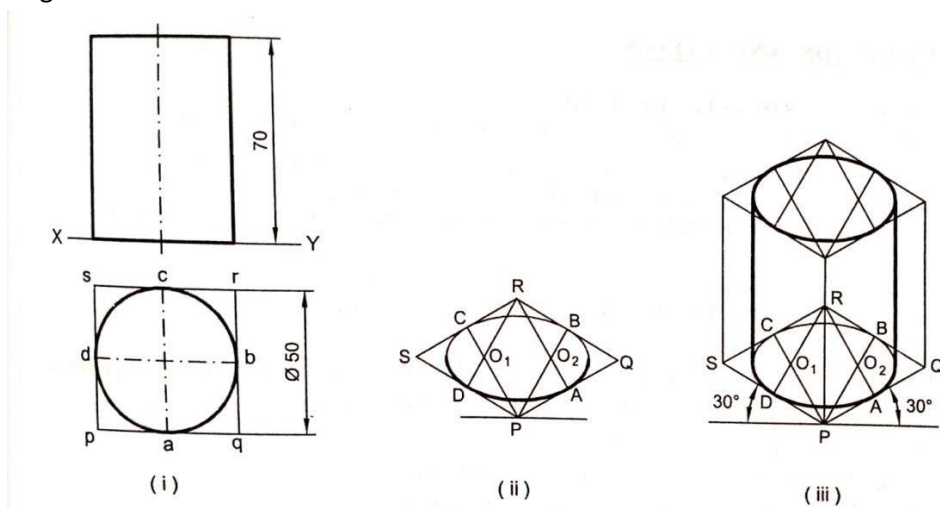




3. Draw the isometric Projection of Hexagonal Prism of side of base 25mm and height 60mm and one of the edge of the base is Parallel to VP.

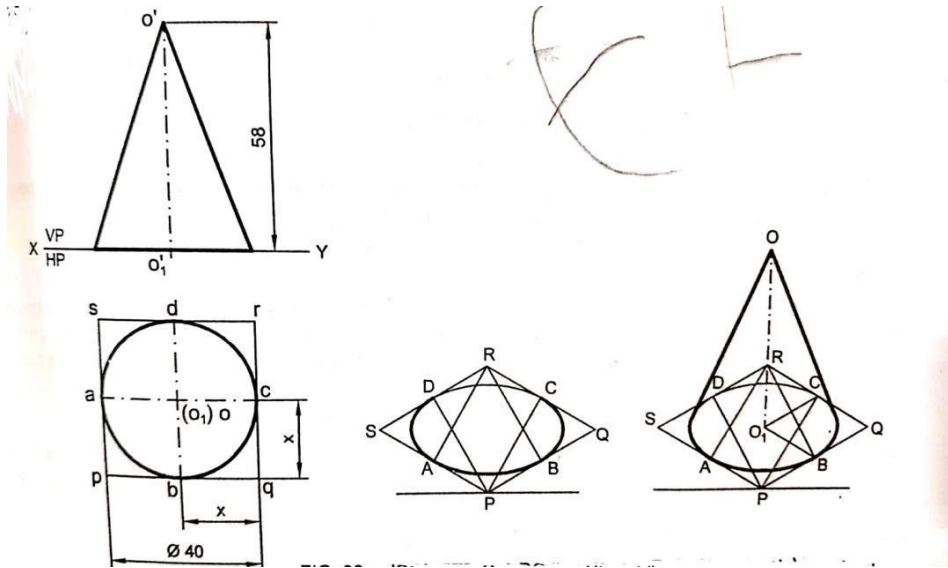


4. Draw the Isometric Projection of the Cylinder and cone of base diameter 50mm and 70mm height when its rest with its base on HP.

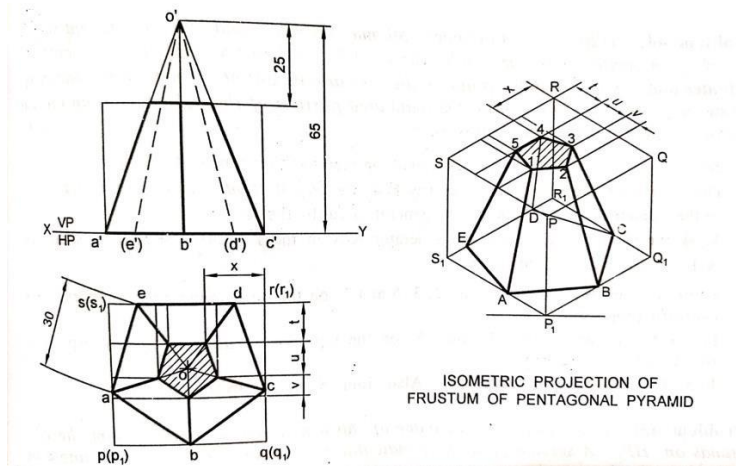




5. Draw the Isometric Projection of the Cone and cone of base diameter 40mm and 58mm height when its rest with its base on HP.

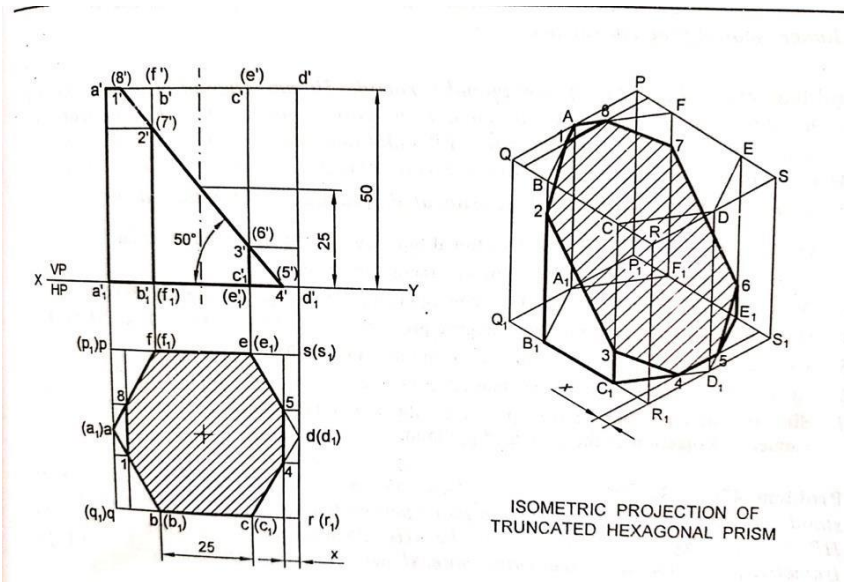


6. A Pentagonal Pyramid, base 30mm and axis 65mm long rest with its base on HP. An Edge of the base is parallel to VP and Nearer to it. A Horizontal Section Plane Cuts the Pyramid and Passes through the point on the axis at a distance of 25 mm from apex. Draw the Isometric Projection of the Frustum of the Pyramid.

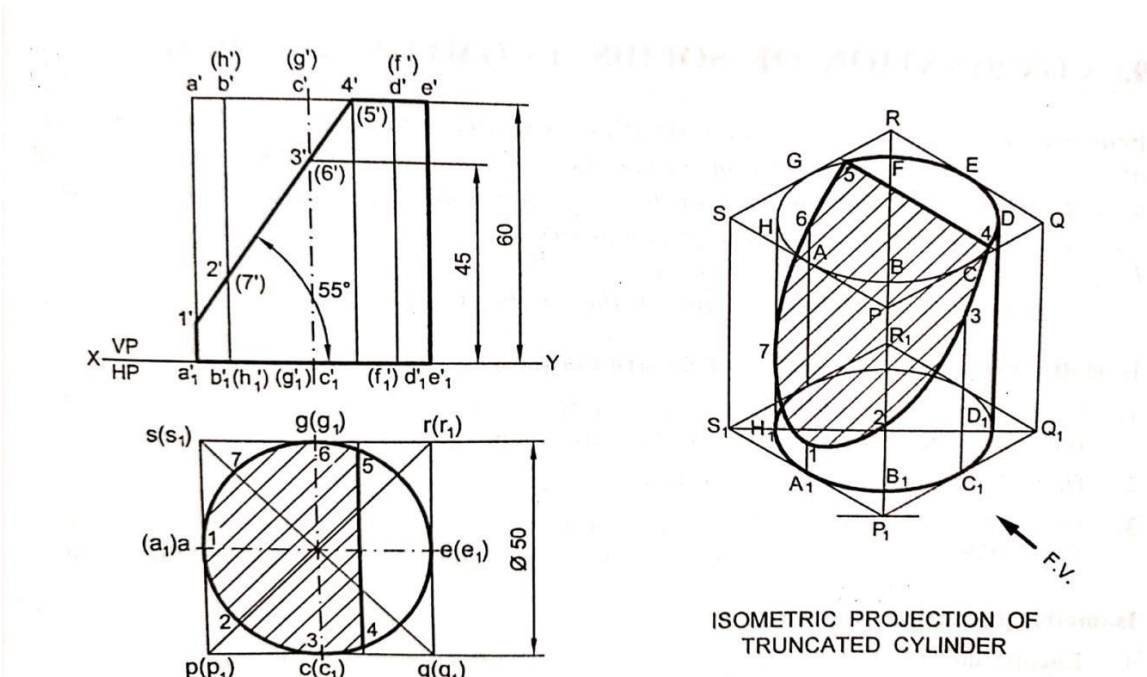




7. A Hexagonal Prism ,side of base 25mm and height 50mm rest on HP and one of the edge of the base is Parallel to VP.A Section plane Perpendicular to VP and Inclined 50 degree to HP. bisect the axis of the prism. Draw the isometric Projection of the Truncated Prism.

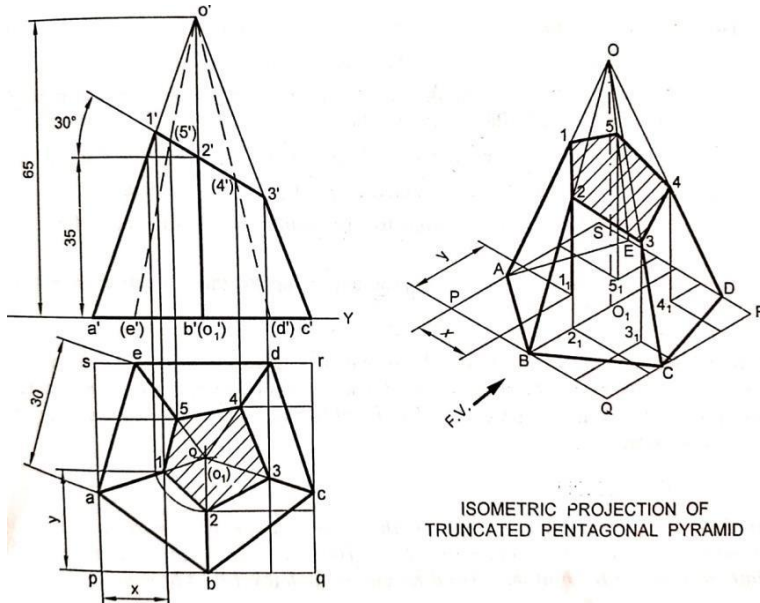


8. A Cylinder 50mm diameter and 60mm height stands on the HP.A Section Plane perpendicular to VP Inclined 55 degree to HP Cuts the Cylinder and Passes through the Point on the axis at a height of 45mm above the base. Draw the isometric Projection of the Truncated Portion of the Cylinder, when the Cuts the Surfaces is Clearly Visible to the observer.





9. A Pentagonal Pyramid, 30mm edge of the base and 65mm height, stands on the HP such that edge of the base is parallel to VP and inclined at 30 degree to HP cuts the Pyramid Passing through a Point on the axis at a Height of 35mm from the base. Draw the isometric Projection of the Truncated Pyramid, showing the Cut Surfaces.



10. A Waste Paper basket is in the form of frustum of Hexagonal Pyramid of side of base 180mm and top 300mm side, Height is 400mm. Draw the isometric Projection. Take a Suitable Scale.

