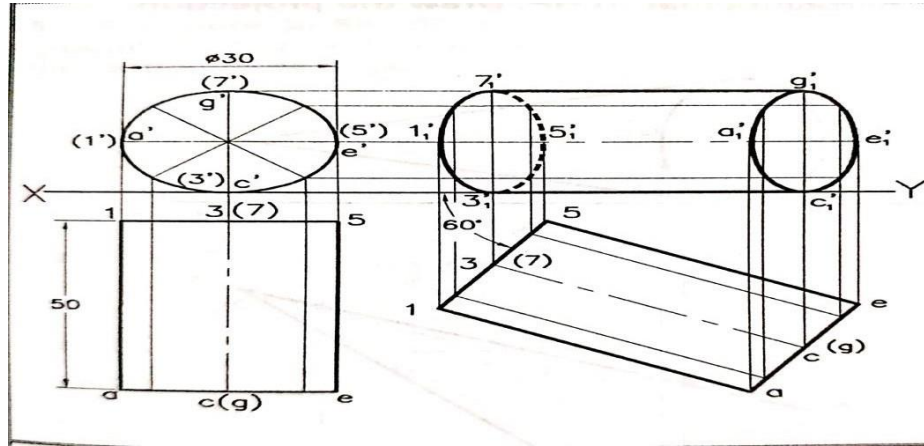




1) Draw the Projection of a Cylinder of diameter 30mm and axis 50mm long when it lies on HP on one of its generators and base is perpendicular to HP and Inclined at  $60^\circ$  to VP.



2) Draw the Projection of Hexagonal Pyramid 70 mm height and side of base 30mm when one triangular face of pyramid is Vertical.

