



SNS COLLEGE OF TECHNOLOGY



Coimbatore-36.

An Autonomous Institution

**Accredited by NBA – AICTE and Accredited by NAAC – UGC with ‘A+’ Grade
Approved by AICTE, New Delhi & Affiliated to Anna University, Chennai**

COURSE NAME : 19CST101 – PROGRAMMING FOR PROBLEM SOLVING

I YEAR/ I SEMESTER

UNIT – I INTRODUCTION TO PROBLEM SOLVING TECHNIQUES

Topic: Computer Hardware, Computer Software

Mrs. S.R.JANANI

Assistant Professor

Department of Computer Science and Engineering



Computer Hardware

Computer Hardware consists of the physical devices associated with computer system.

Computer Hardware

- Input devices
- System unit
- Output devices
- Storage devices
- Processing Unit:
The CPU and
Main Memory



Luai M. Malhis

MyShared

4



Computer Hardware

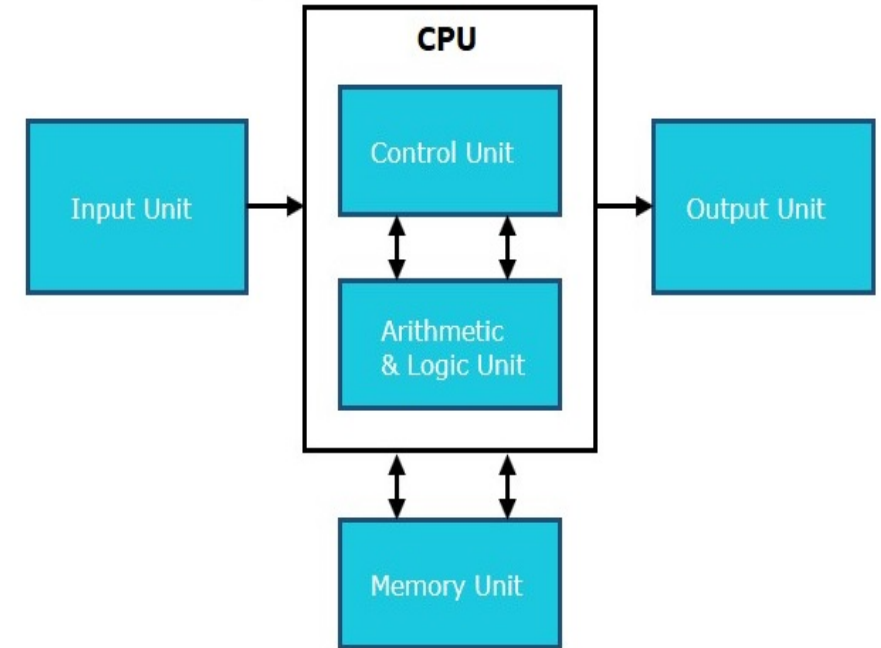


CPU(Central Processing Unit)

- CPU is considered as the brain of the computer.
- CPU performs all types of data processing operations.
- It stores data, intermediate results, and instructions (program)
- It controls the operation of all parts of the computer.

Components CPU:

- Memory or Storage Unit
- Control Unit
- ALU(Arithmetic Logic Unit)
 1. Arithmetic Section
 2. Logic Section



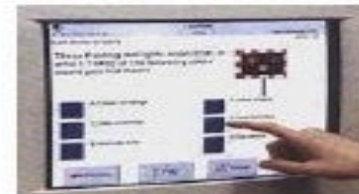
Processor



Input Devices

The Physical Parts of a Computer System which allows data to be entered into a Computer System

- Keyboard
- Graphics Tablet
- Touch-Sensitive Screen
- Mouse
- Microphone
- Digital Camera
- Digital Video Camera
- Webcam
- Trackball
- Trackpad
- Joystick
- Scanner





Output Devices

- An output device is a device which allows data to be displayed or passed out of a computer system
- Printers
 - Laser
 - Inkjet
- Monitor
 - Liquid Crystal Display
 - Thin Film Transistor
 - Cathode Ray Tube
- Plotter
- Load speaker
- Projector

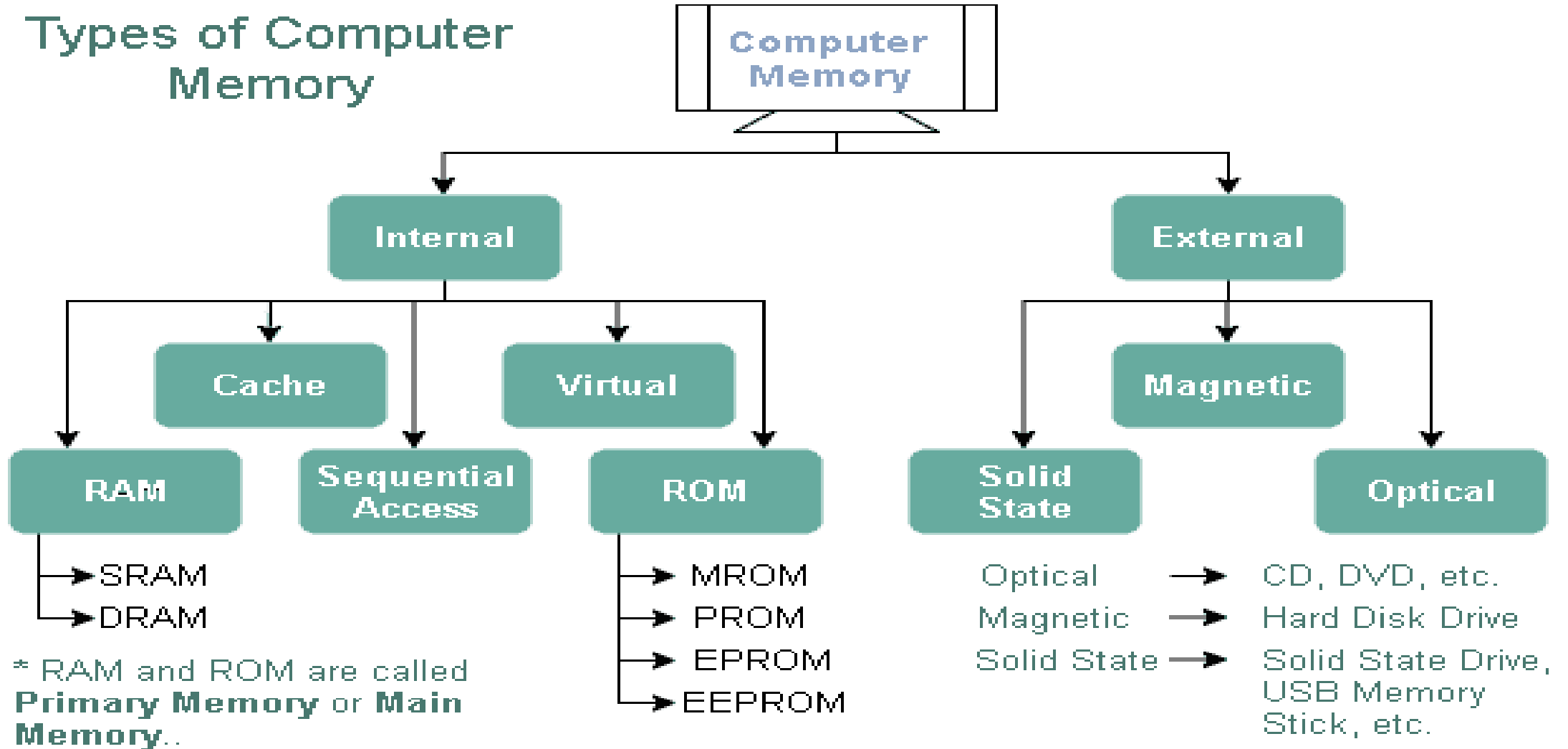




Computer Hardware



Types of Computer Memory





Computer Software

Computer Software is a set of programs, which is designed to perform a well-defined function.

A program is a sequence of instructions written to solve a particular problem.

Two types of software –

- 1. System Software
- 2. Application Software



Types of Computer Software

Computer software or just software is a collection of computer programs and related data that provides the instructions for telling a computer what to do and how to do it. Any set of instructions that guides the hardware and tells it how to accomplish each task.

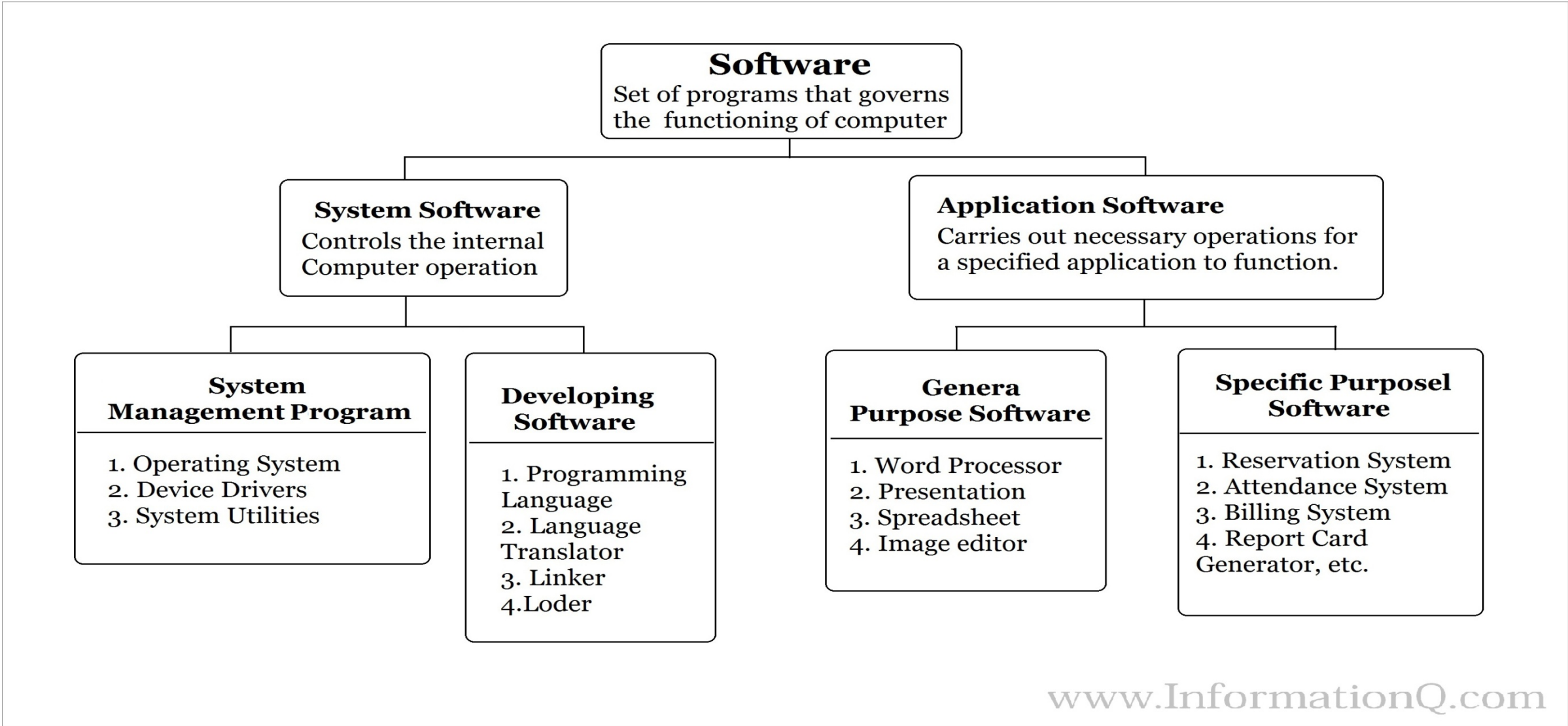
Systems Software

Application Software

GetupLearn.com



Computer Software



www.InformationQ.com



Thank
you

rawpixel