



SNS COLLEGE OF TECHNOLOGY

Coimbatore-35
An Autonomous Institution



Accredited by NBA – AICTE and Accredited by NAAC – UGC with 'A+' Grade
Approved by AICTE, New Delhi & Affiliated to Anna University, Chennai

DEPARTMENT OF ELECTRONICS & COMMUNICATION ENGINEERING

19ECB204 – LINEAR AND DIGITAL CIRCUITS

II YEAR/ III SEMESTER

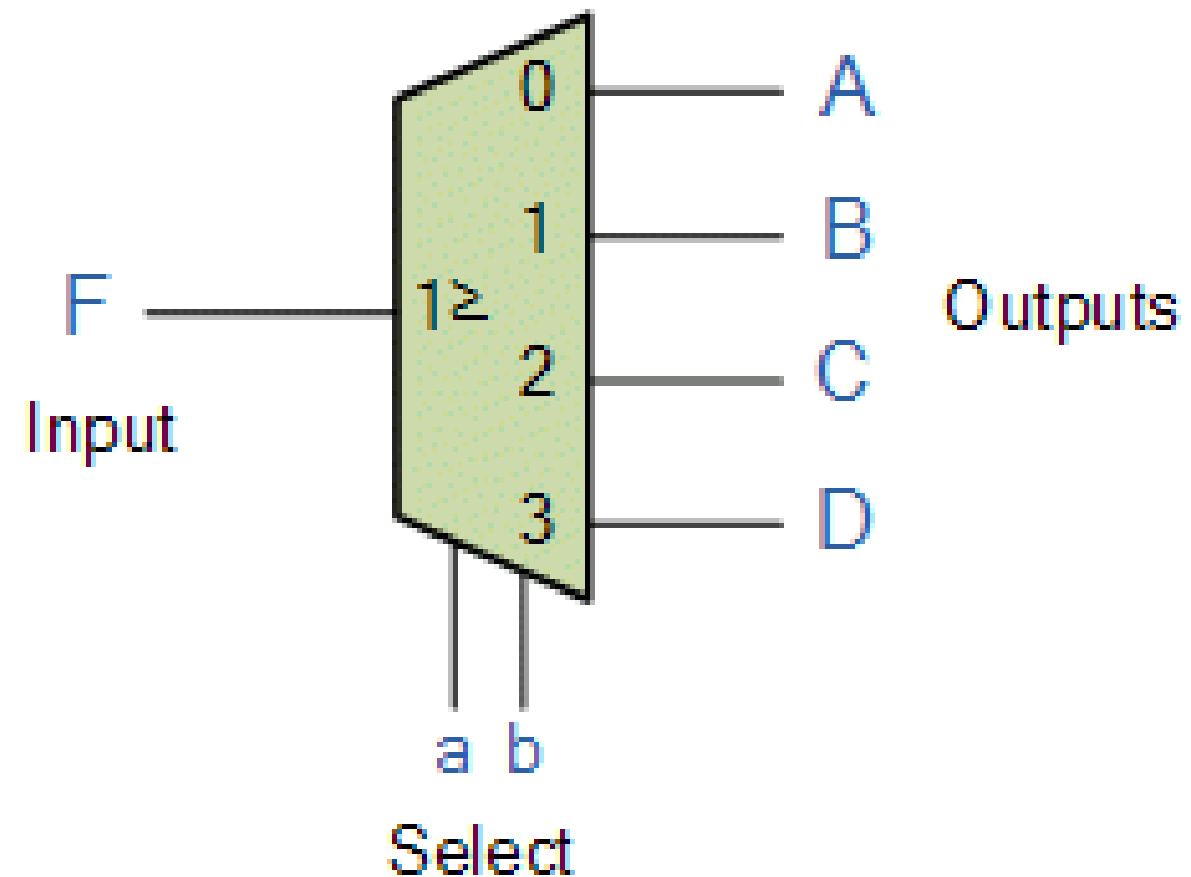
UNIT 4 – COMBINATIONAL and SEQUENTIAL CIRCUITS

TOPIC 1 – DEMULTIPLEXER



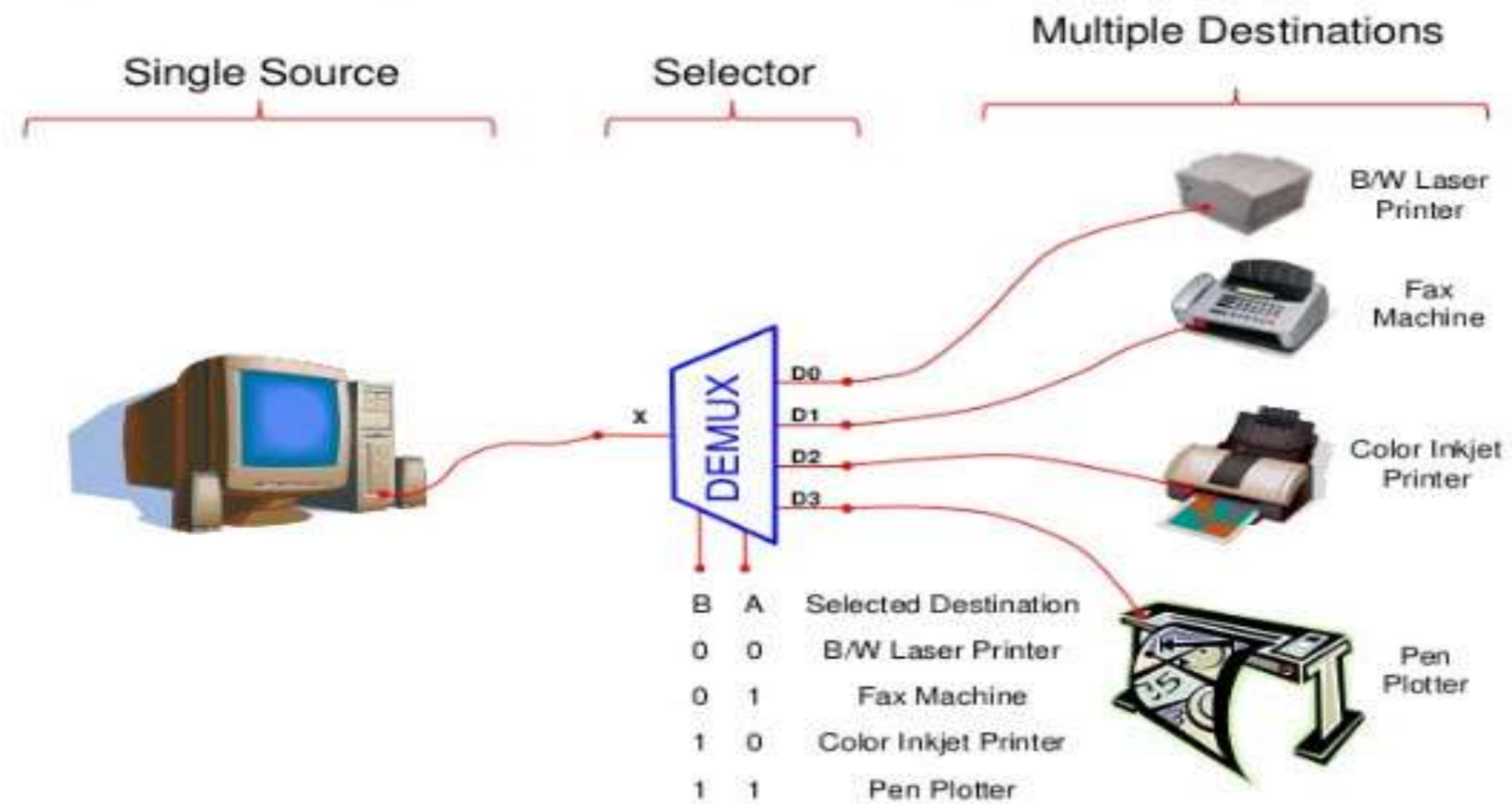
What is De Multiplexer?

- De-Multiplexer is a combinational circuit that performs the reverse operation of Multiplexer. It has single input, 'n' selection lines and maximum of 2^n outputs.
- One of these data inputs will be connected to the output based on the values of selection lines..





DeMultiplexer - Types

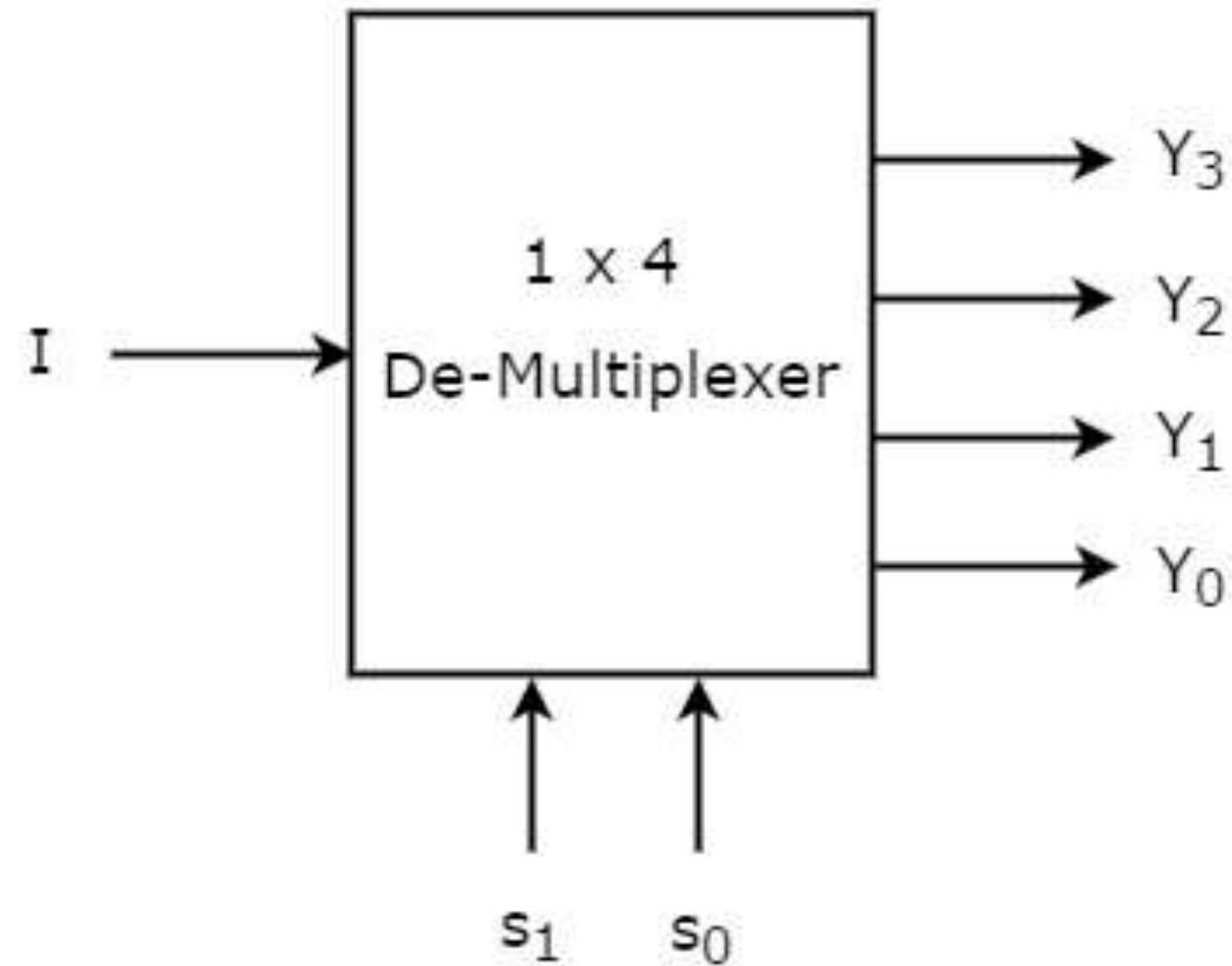




1x4 De-Multiplexer



- 1x4 De-Multiplexer has one input I , two selection lines, s_1 & s_0 and four outputs Y_3 , Y_2 , Y_1 & Y_0 .



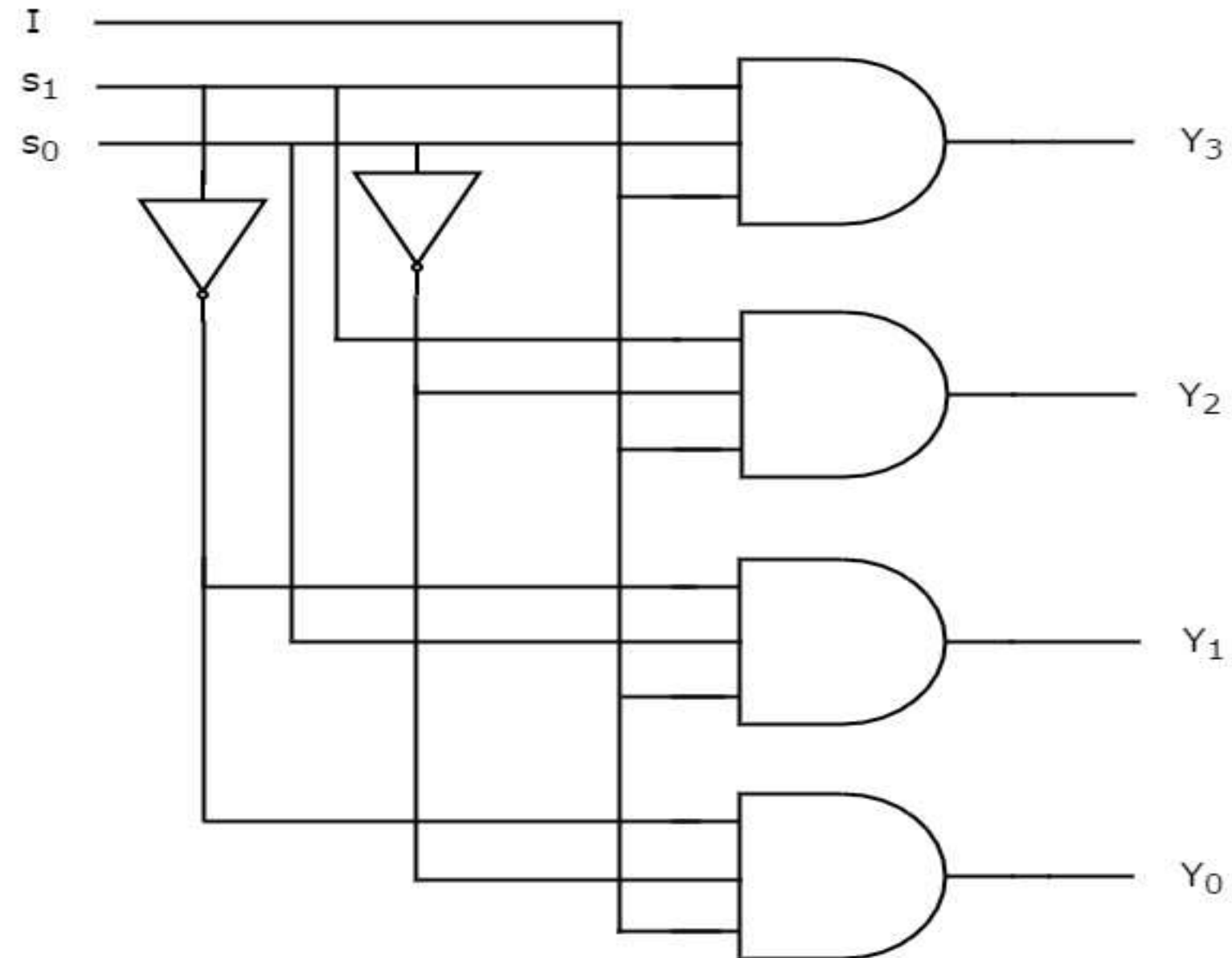


- The single input 'I' will be connected to one of the four outputs, Y3 to Y0 based on the values of selection lines s1 & s0. The Truth table of 1x4 De-Multiplexer is shown below.

Selection Inputs		Outputs			
S ₁	S ₀	Y ₃	Y ₂	Y ₁	Y ₀
0	0	0	0	0	I
0	1	0	0	I	0
1	0	0	I	0	0
1	1	I	0	0	0



We can implement these Boolean functions using Inverters & 3-input AND gates. The circuit diagram of 1x4 De-Multiplexer is shown in the following figure.

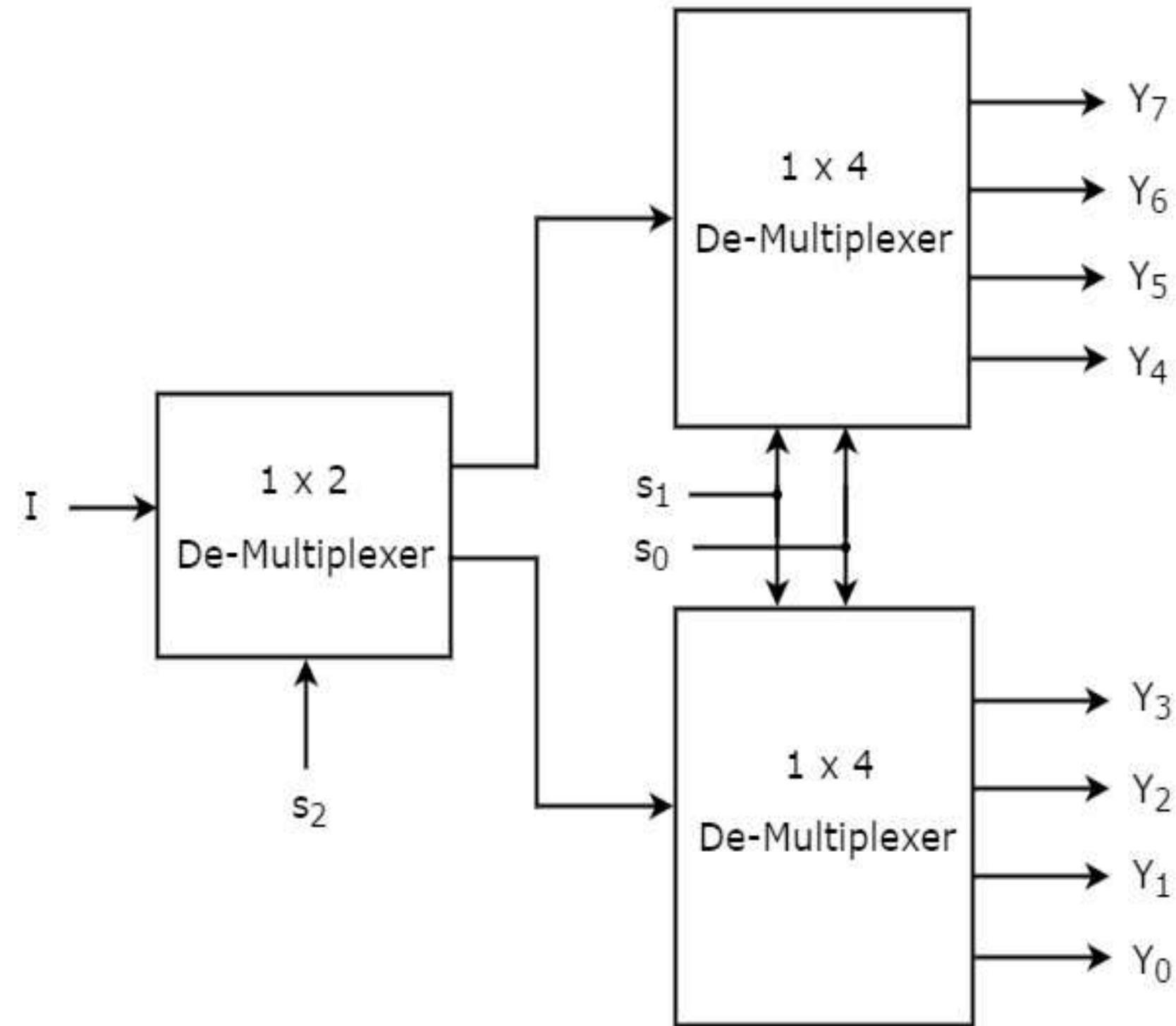




1x8 De-Multiplexer



1x8 De-Multiplexer has single input, three selection lines and eight outputs.





1x8 De-Multiplexer has one input I, three selection lines s₂, s₁ & s₀ and outputs Y₇ to Y₀. The Truth table of 1x8 De-Multiplexer is shown below.

Selection Inputs			Outputs							
s ₂	s ₁	s ₀	Y ₇	Y ₆	Y ₅	Y ₄	Y ₃	Y ₂	Y ₁	Y ₀
0	0	0	0	0	0	0	0	0	0	I
0	0	1	0	0	0	0	0	0	I	0
0	1	0	0	0	0	0	0	I	0	0
0	1	1	0	0	0	0	I	0	0	0
1	0	0	0	0	0	I	0	0	0	0
1	0	1	0	0	I	0	0	0	0	0
1	1	0	0	I	0	0	0	0	0	0
1	1	1	I	0	0	0	0	0	0	0



Activity Time



CAN YOU FIND THE MISSING NUMBER?



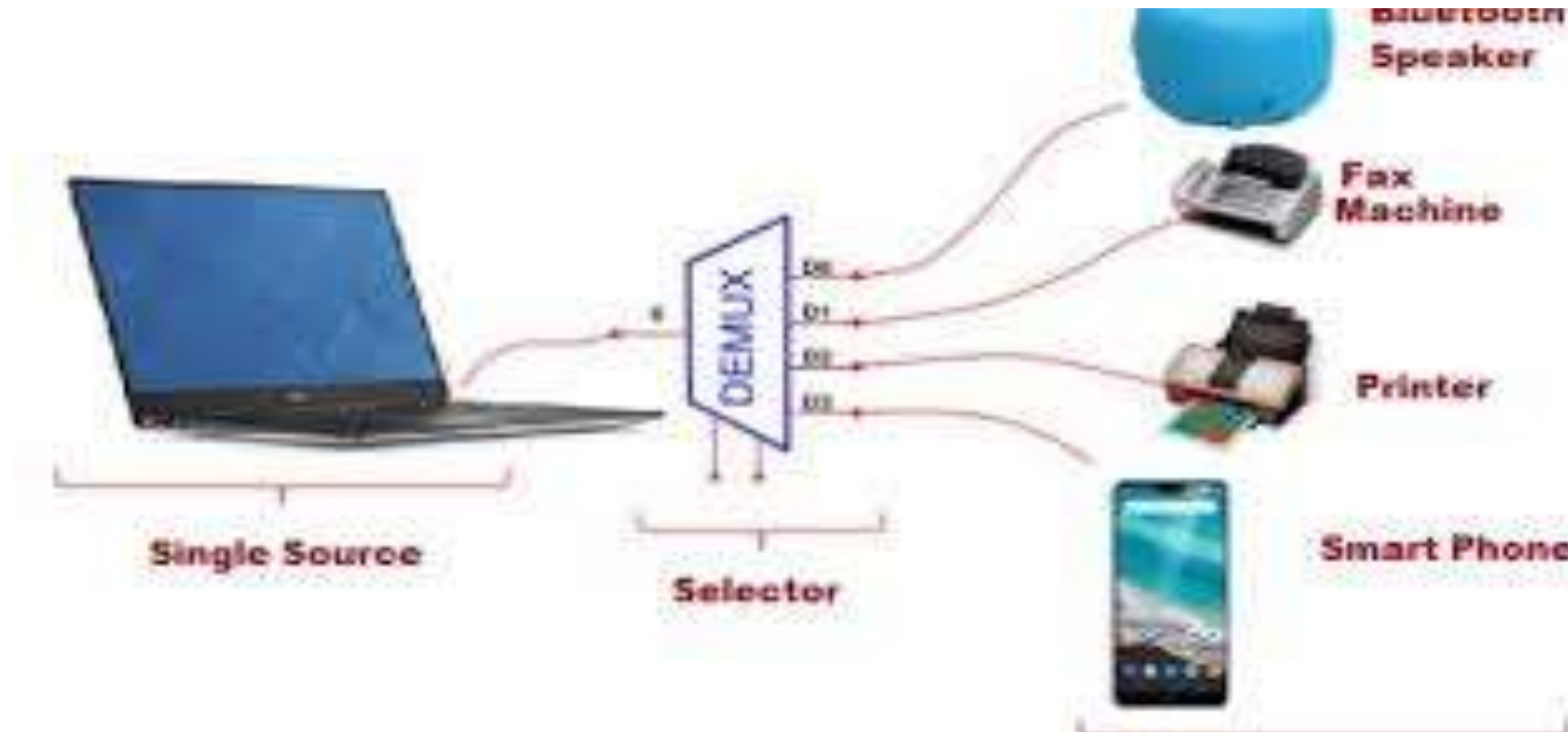
2	3	4	5
6	7	8	9
22	32	?	52
4	5	6	7

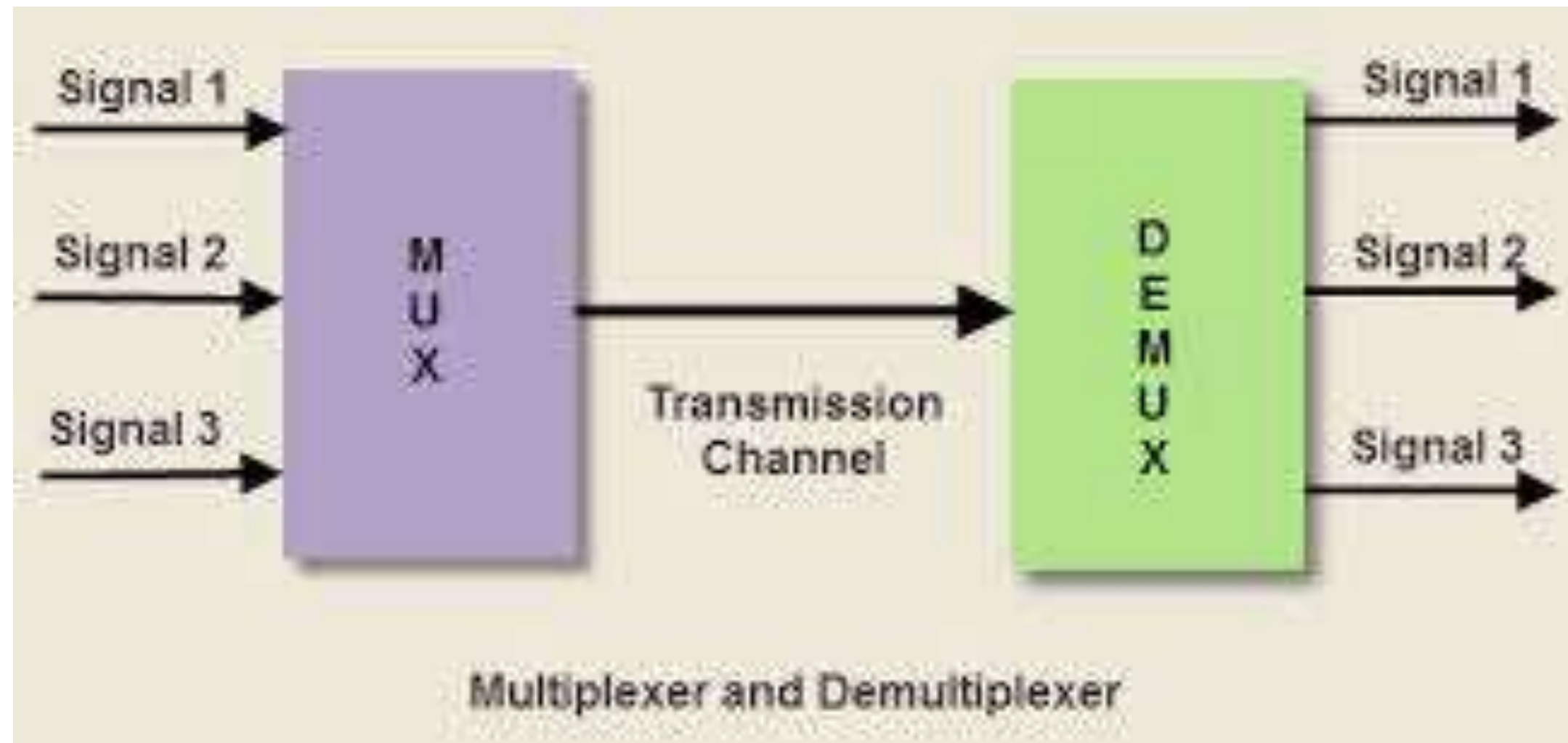
©www.ShakeTheBrain.com



Applications

Demultiplexer is used to connect a single source to multiple destinations. The main application area of demultiplexer is communication system where multiplexer are used.







ASSESSMENTS



THINK
(Yourself)



PAIR
(With a partner)



SHARE
(Whole class)



THANK YOU