



# SNS COLLEGE OF TECHNOLOGY

Coimbatore-35  
An Autonomous Institution



Accredited by NBA – AICTE and Accredited by NAAC – UGC with 'A+' Grade  
Approved by AICTE, New Delhi & Affiliated to Anna University, Chennai

## DEPARTMENT OF ELECTRONICS AND COMMUNICATION ENGINEERING

### 19ECB202 – LINEAR AND DIGITAL CIRCUITS

II YEAR/ III SEMESTER

#### UNIT 5 – SEQUENTIAL CIRCUITS

#### TOPIC 6 – Introduction to PLD



## Problem definition



- *Problems by Using Basic Gates*
- Many components on PCB:
  - As no. of components rise, nodes interconnection complexity grow exponentially
  - Growth in interconnection will cause increase in interference, PCB size, PCB design cost, and manufacturing time
- *Solution*
  - The purpose of a PLD device is to permit elaborate digital logic designs to be implemented by the user in a single device.
  - Can be erased electrically and reprogrammed with a new design, making them very well suited for academic and prototyping



# Taxonomies of ICs



- Design Methodology
  - **Standard Components (SSI/MSI/LSI)**
    - Off-the-shelf Components
    - Basic Universal Building Blocks (AND, OR, NAND, NOR...)
  - **Application-Specific Standard Parts (ASSP)**
    - Target Specific Application Area, but not Customer
    - e.g. Printer Controller, USB Interface IC, HDD I/F
  - **Application-Specific IC (ASIC)**
    - Custom Design of IC Targeting Specific Market
    - Full-custom, standard cell, gate-arrays
    - e.g. ATI 3D Graphics Engine
  - **Programmable Logic Devices (PLD)**
    - Can be used to implement wide variety designs
    - e.g. FPGA (Field-Programmable Gate Arrays)



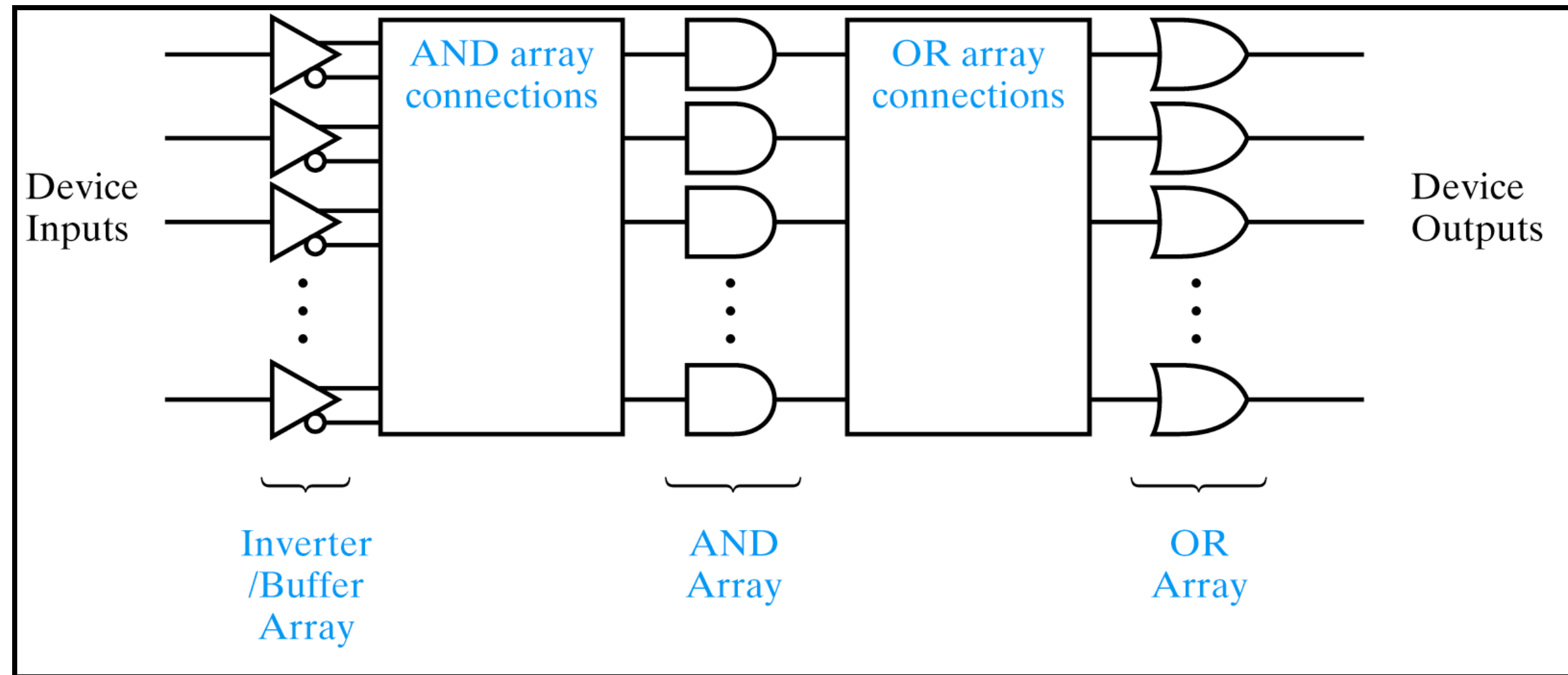
## PLDs



- Programmable Logic Devices (PLDs)
  - **PROM:** Programmable Read Only Memories (1960s)
  - **PLA:** Programmable Logic Arrays [Signetics] (1975)
  - **PALÔ:** Programmable Array Logic [MMI] (1976)
  - **GALÔ:** Generic Array Logic
  - **CPLDs** (Complex PLDs)
  - **FPGA:** Field Programmable Gate Arrays



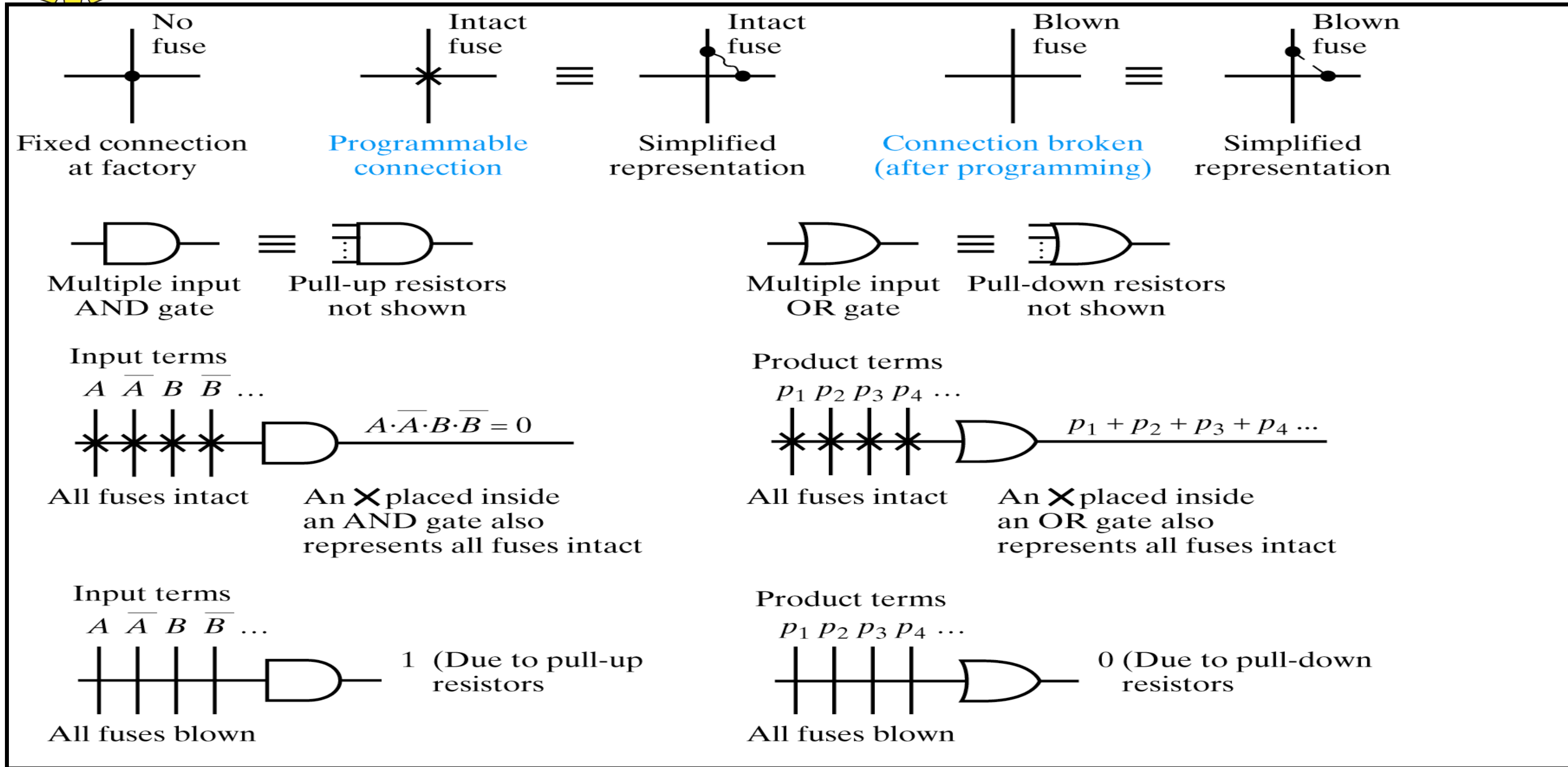
## AND/OR Array Architecture



Device type	AND array	OR array	Product term sharing
PROM	Fixed at factory	Programmable	Yes
PLA	Programmable	Programmable	Yes
PAL/GAL	Programmable	Fixed at factory	No



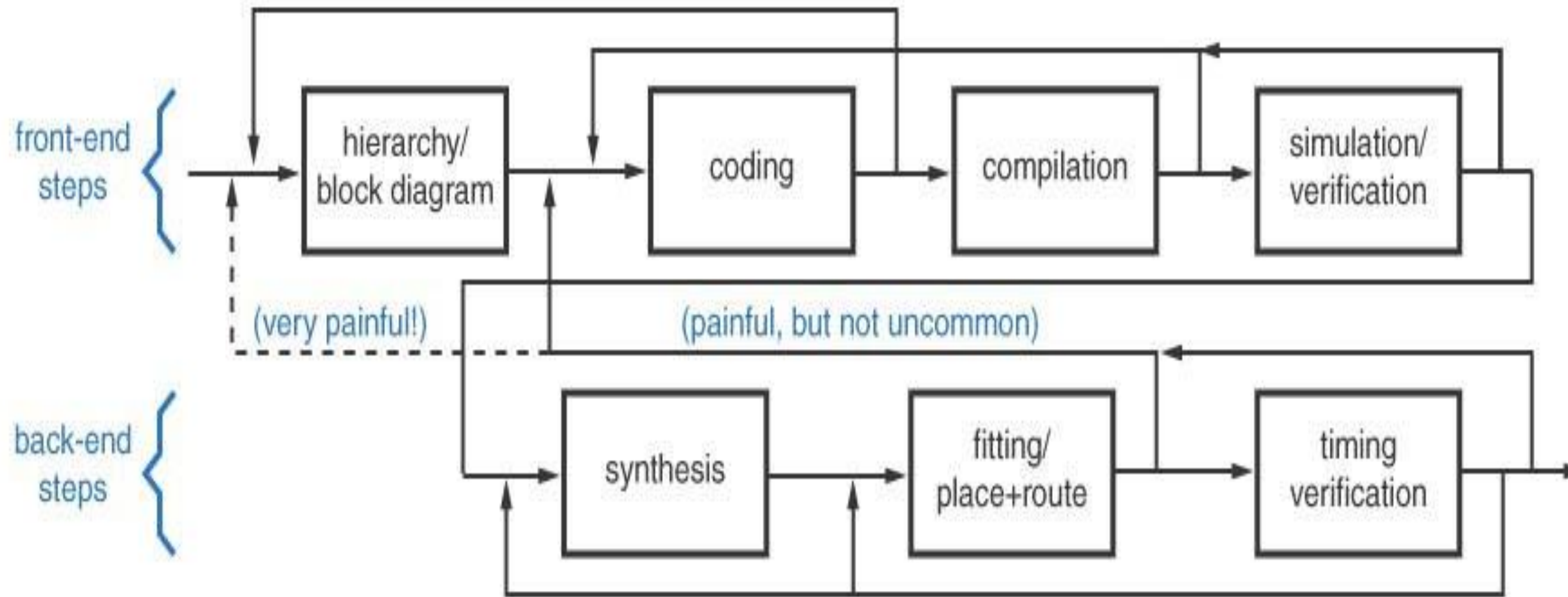
# Programmable Symbology





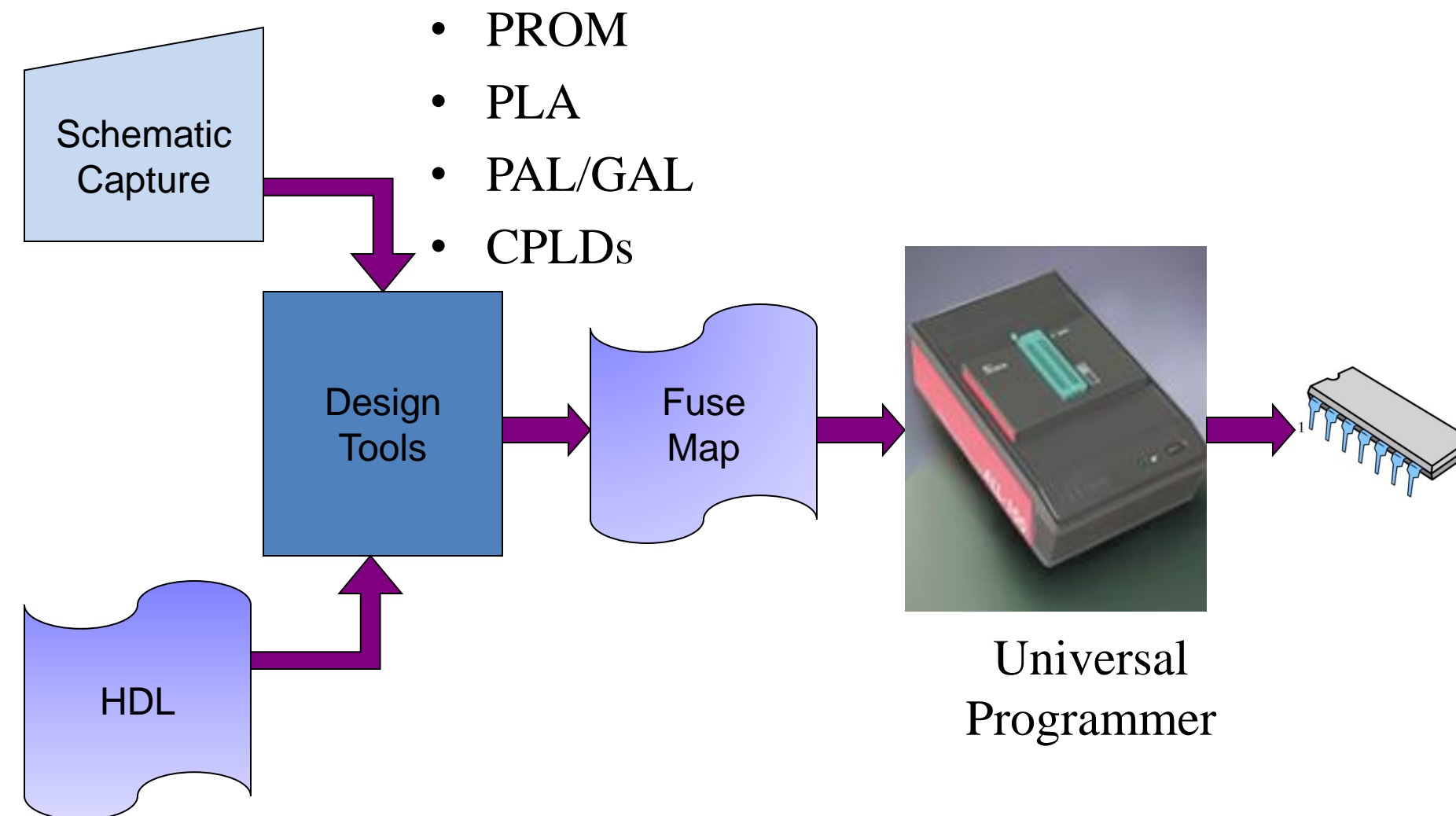


# PLD Implementation





# PLD Implementation



Tool and PLD vendors: Xilinx, Altera, Lattice





## Advantages to PLDs



- Shorten design time
  - Rapid prototyping!
- Rapid design changes
  - Reprogrammable
    - No masks, jumpers, PCB traces
- Decrease PCB “real estate”
  - Less space than multiple standard logic packages
- Improve reliability
  - Fewer packages, fewer external interconnects



THANK YOU