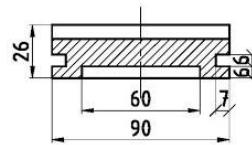
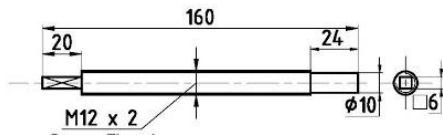


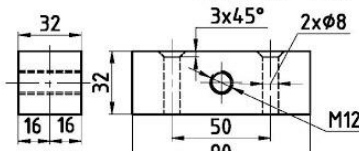
BASE C.S 1 OFF



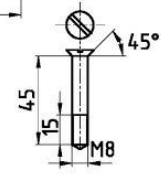
Section A-A



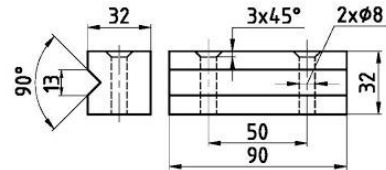
SCREW SPINDLE M.S-1 OFF



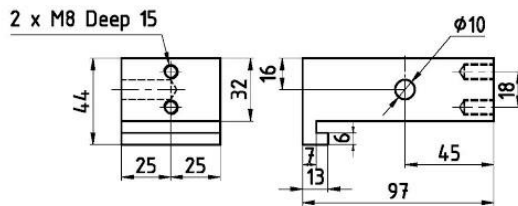
BLOCK C.S -1 OFF



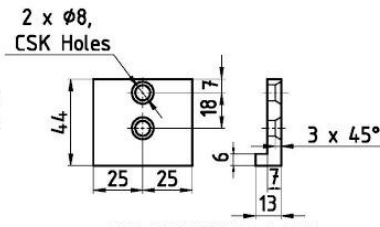
CSK HEAD SCREW M.S-4 OFF



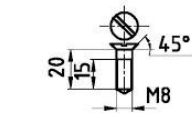
FIXED JAW C.S - 1 OFF



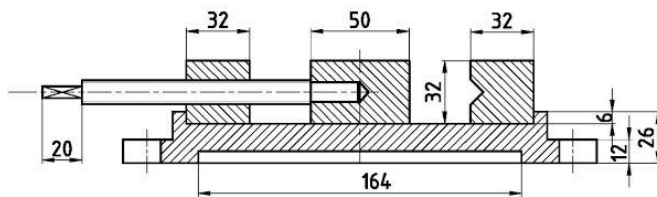
SLIDING JAW - C.S 1 OFF



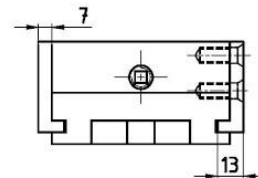
END PLATE M.S-1 OFF



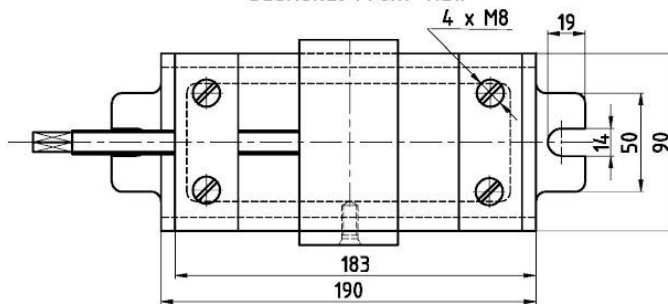
CSK HEAD SCREW M.S-2 OFF



Sectional Front view



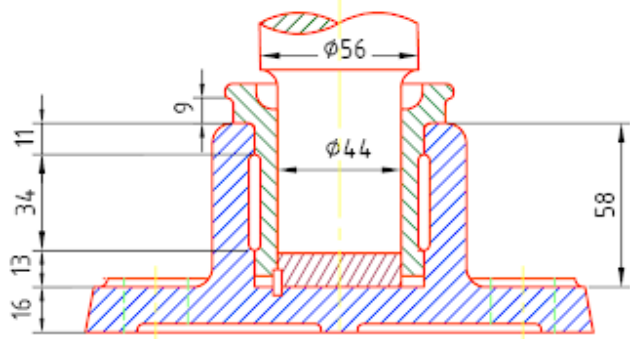
Left side view



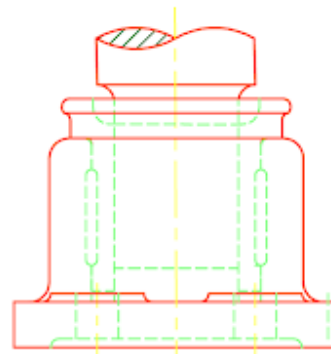
Top view

**MACHINE VICE**

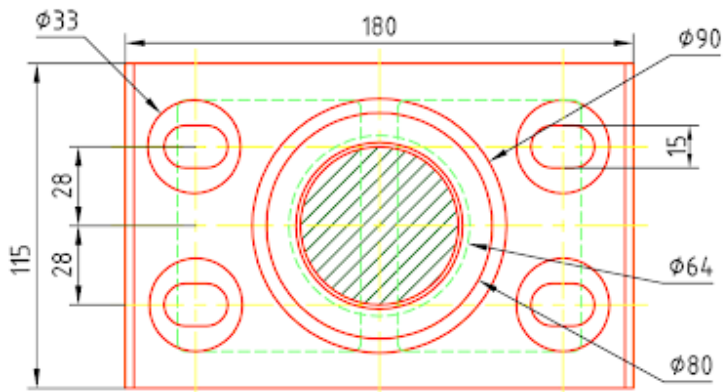




Sectional Front View



Side View



Top View

S.No.	PART NAME	MATERIAL	NO. OFF
1.	BODY	CAST IRON	1
2.	BUSH	BRASS	1
3.	DISC OR PAD	BRASS	1
4.	SHAFT	STEEL	1

# FOOTSTEP BEARING

