



SNS COLLEGE OF TECHNOLOGY

Coimbatore-35
An Autonomous Institution



Accredited by NBA – AICTE and Accredited by NAAC – UGC with 'A+' Grade
Approved by AICTE, New Delhi & Affiliated to Anna University, Chennai

DEPARTMENT OF ELECTRONICS & COMMUNICATION ENGINEERING

16EC303–VLSI DESIGN

III YEAR/ V SEMESTER

UNIT 3 –SEQUENTIAL LOGIC CIRCUITS

TOPIC 6 & 7 –CLOCK STRATEGIES



OUTLINE



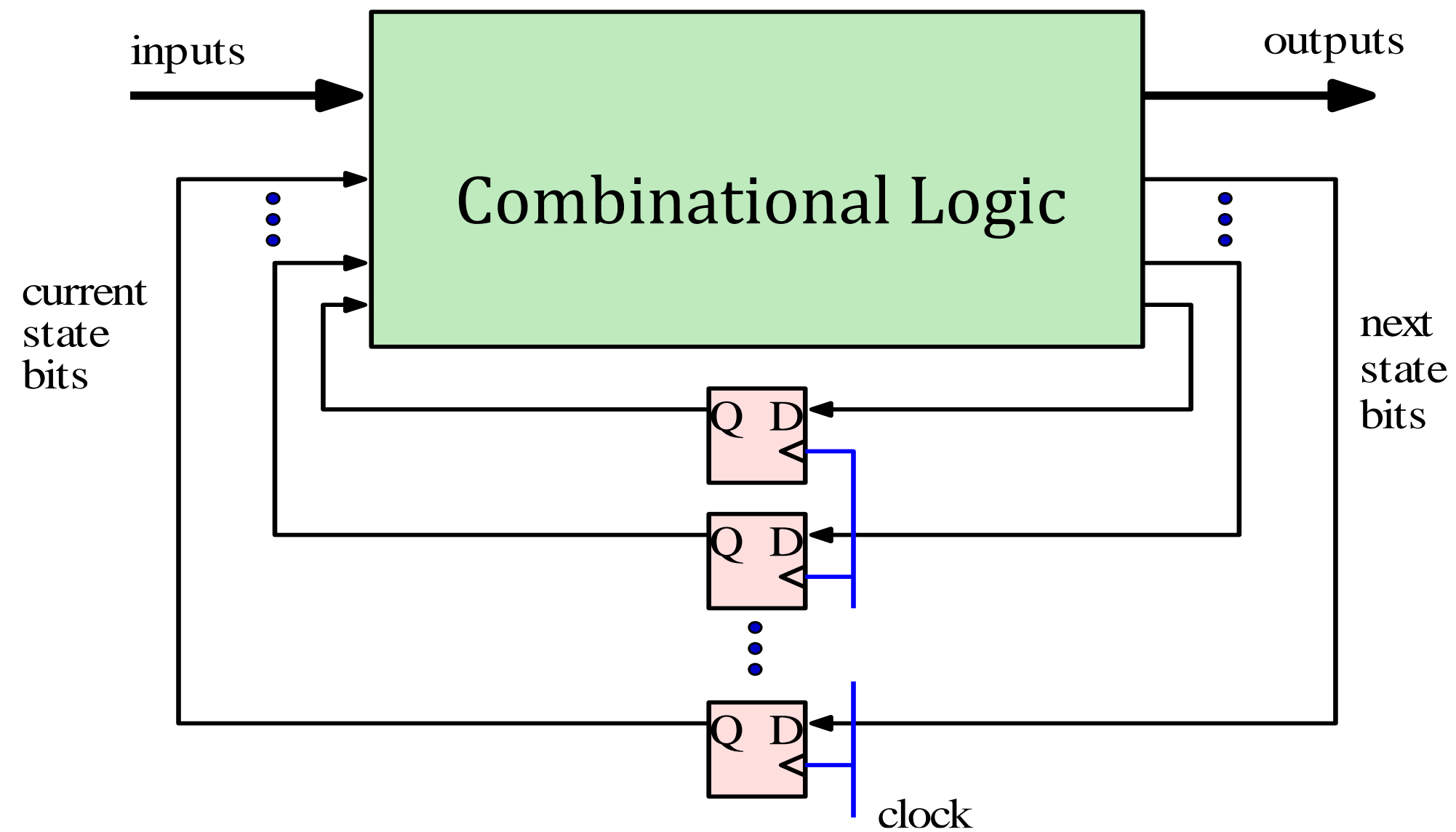
- INTRODUCTION
- CLOCKING STRATEGIES – *CLOCKED SYSTEMS*
- A SIMPLE FINITE STATE MACHINE
LATCHES AND REGISTERS
- SYSTEM TIMING-SETUP & HOLD TIME
- ACTIVITY
- D REGISTER
- CLOCK SKEW
- STRATEGIES–SKEW CLOCK PIPELINE
- DETDFF –LATCH 1 & 2
- ASYNCHRONOUSLY SETTABLE & RESETTABLE REGISTER
- DYNAMIC REGISTERS
- SINGLE CLOCK
- ASSESSMENT
- SUMMARY & THANK YOU



CLOCKING STRATEGIES – *CLOCKED SYSTEMS*

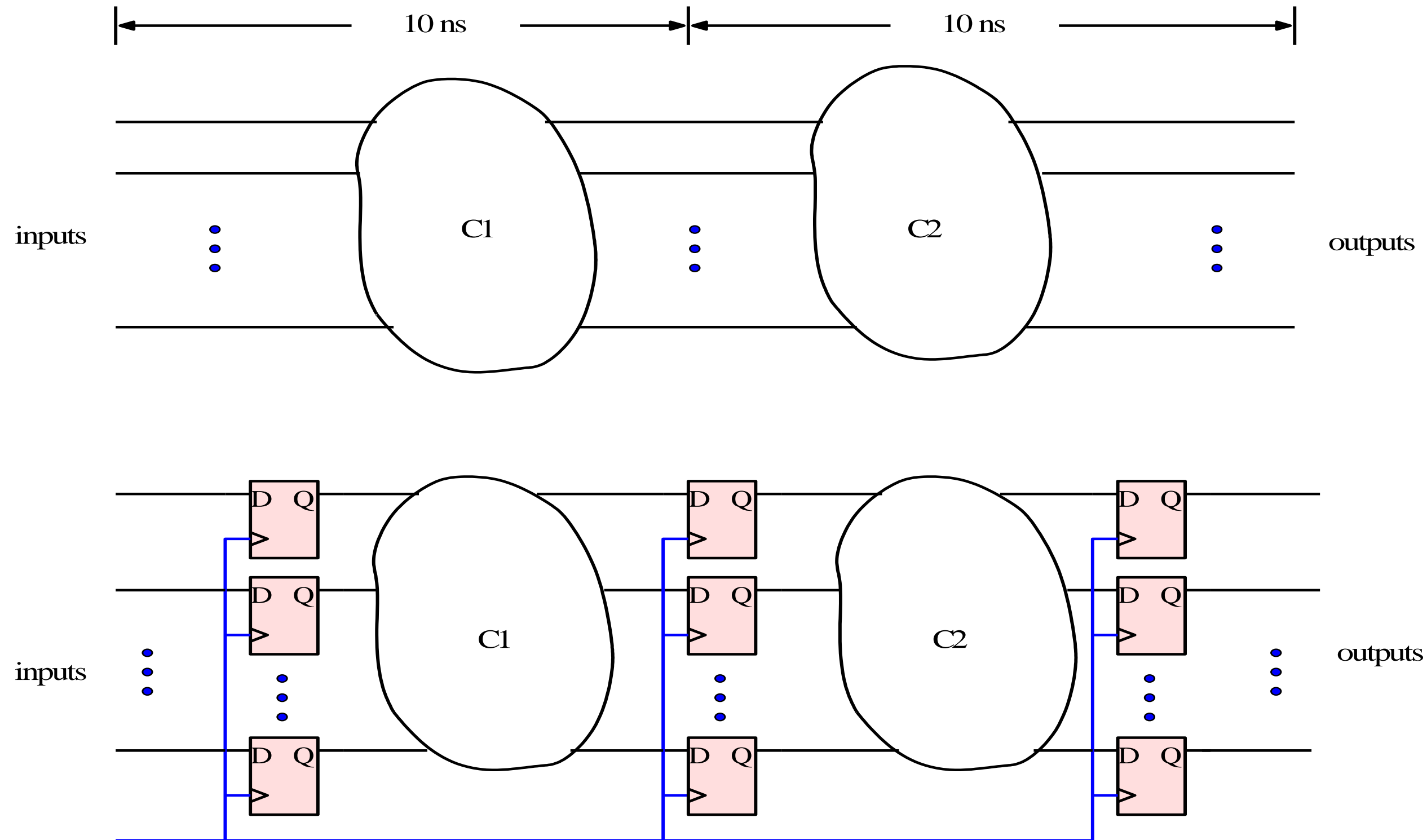


A SIMPLE FINITE STATE MACHINE



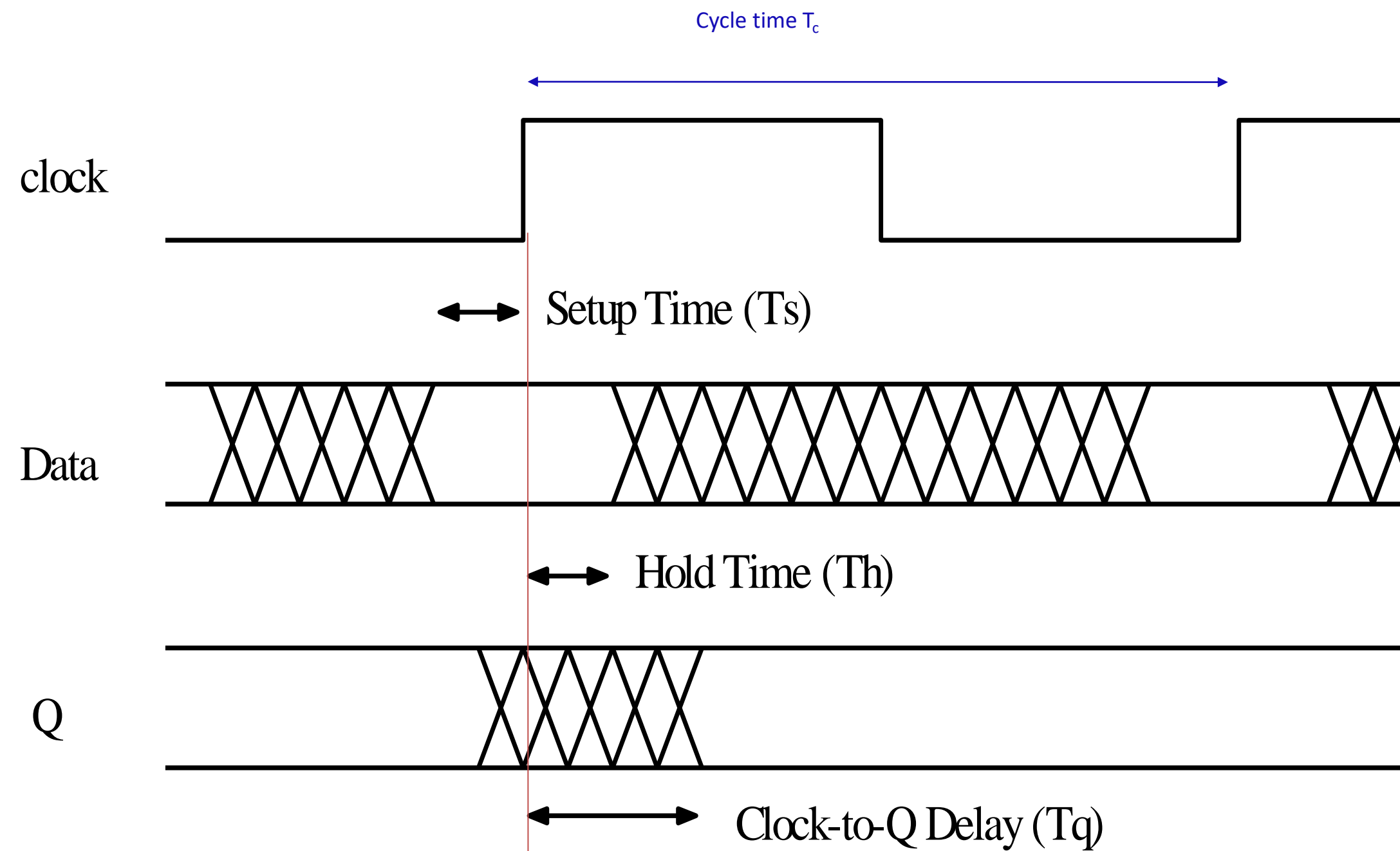


A SIMPLE FINITE STATE MACHINE



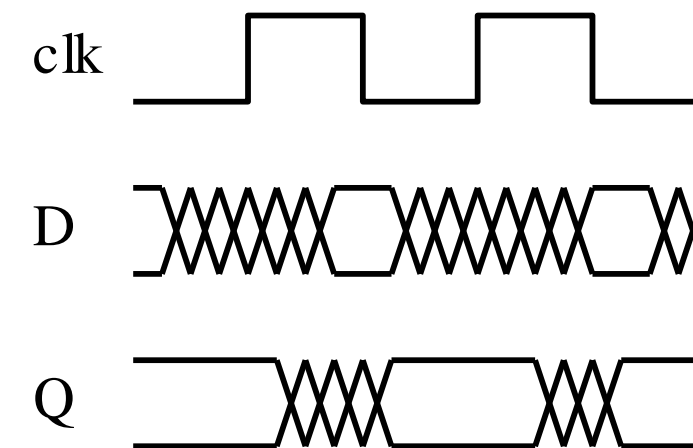
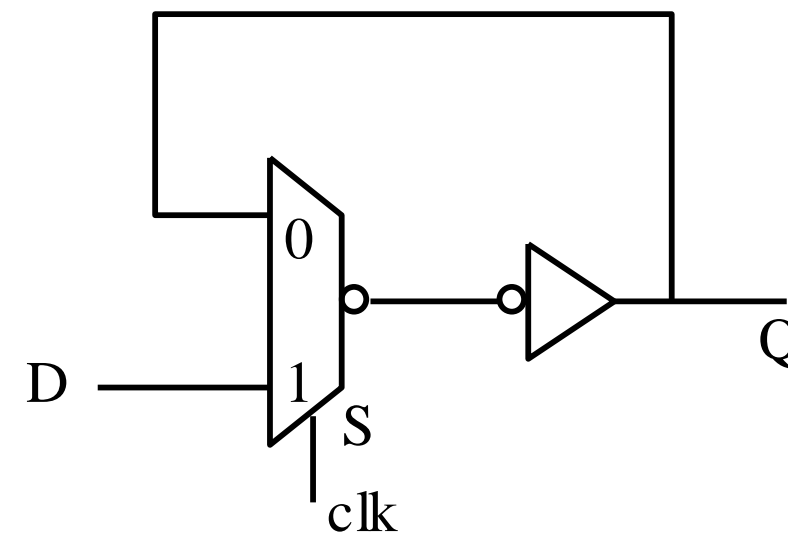
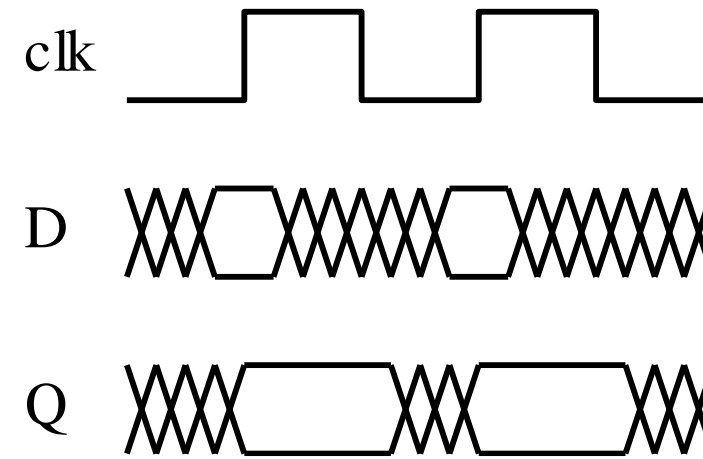
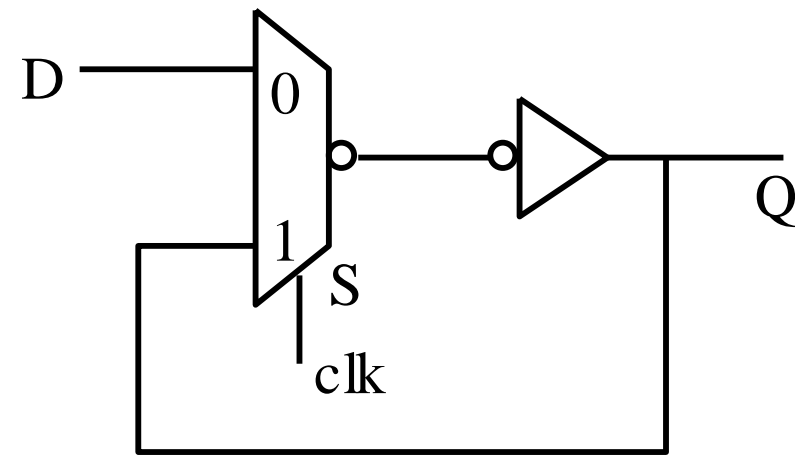


LATCHES AND REGISTERS



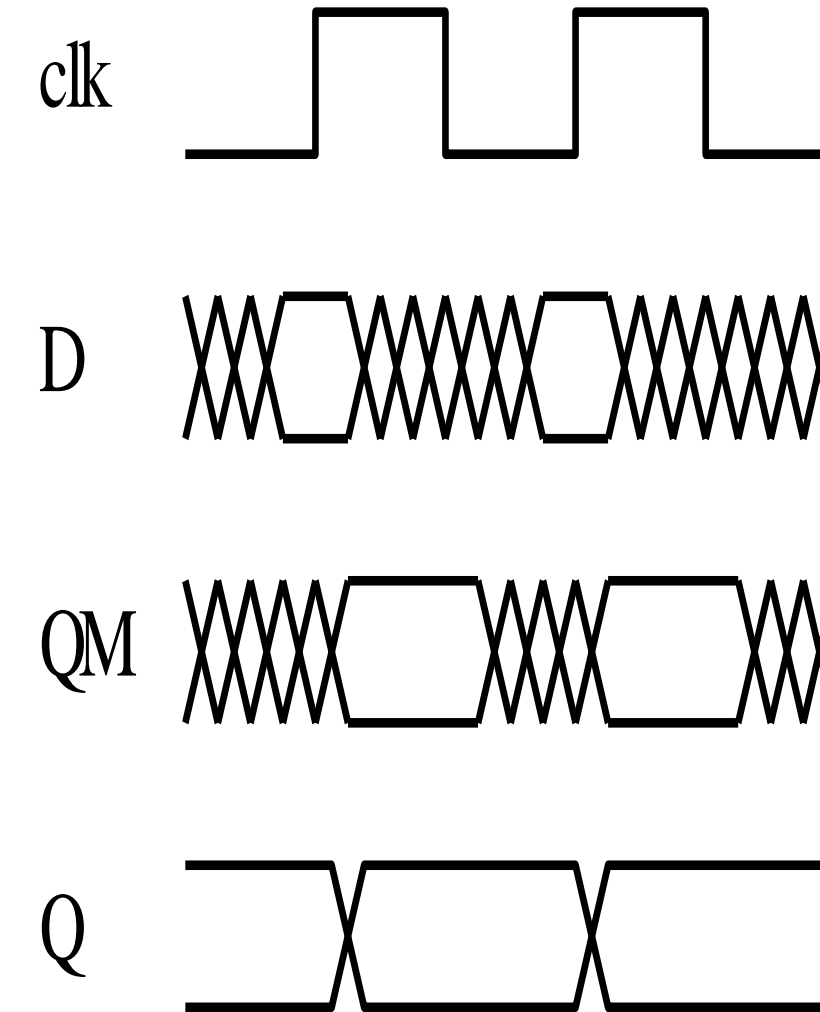
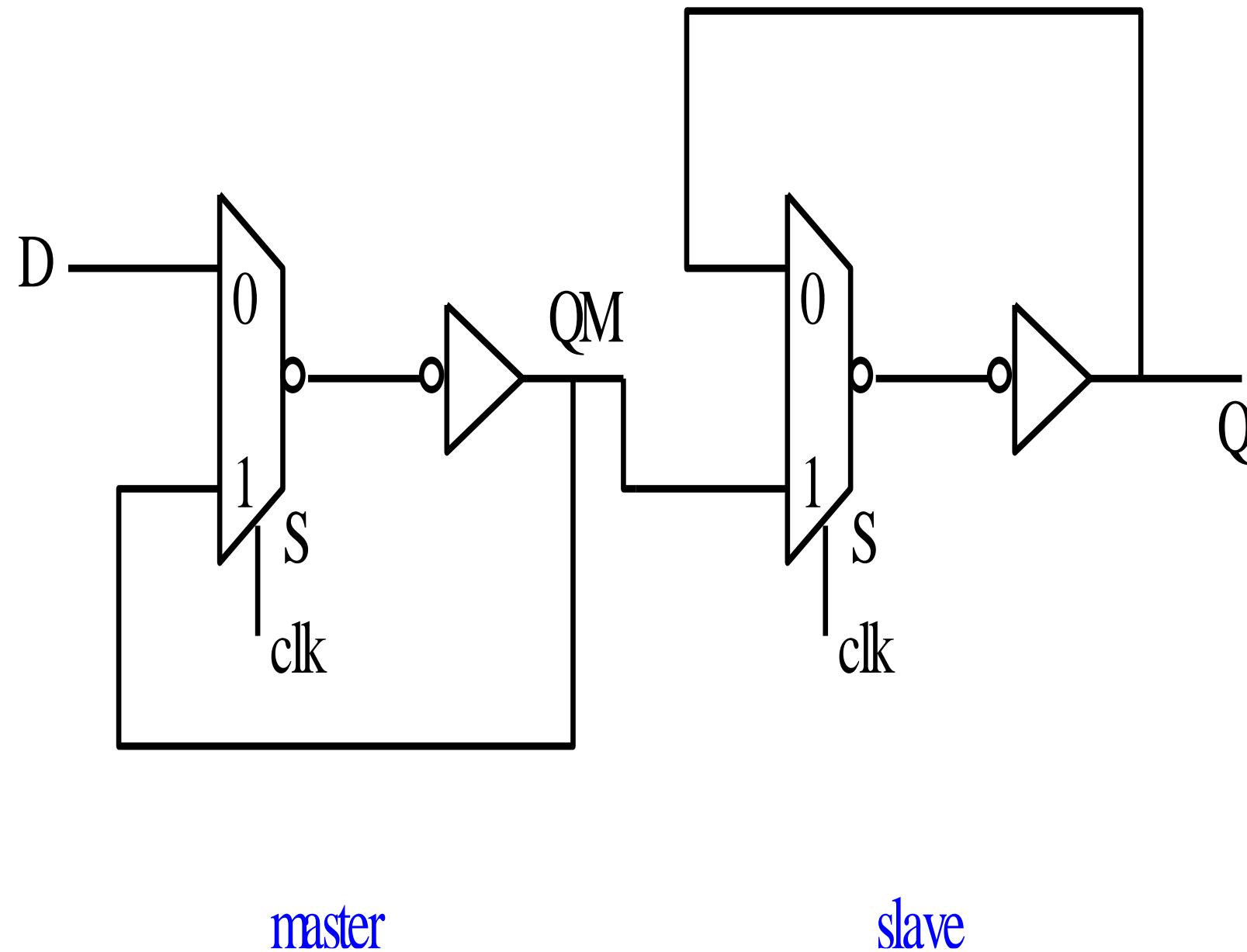


LATCHES



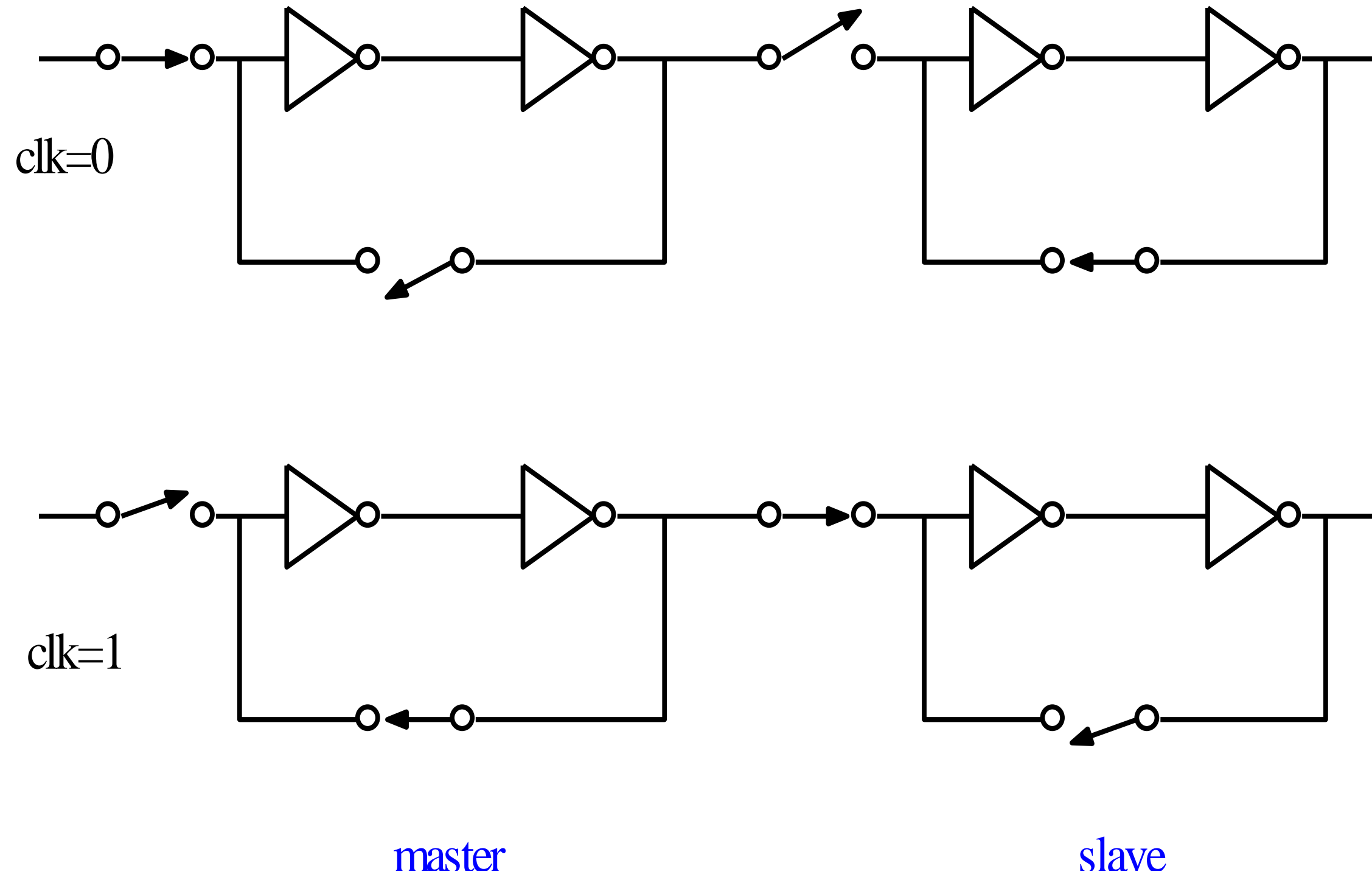


REGISTERS



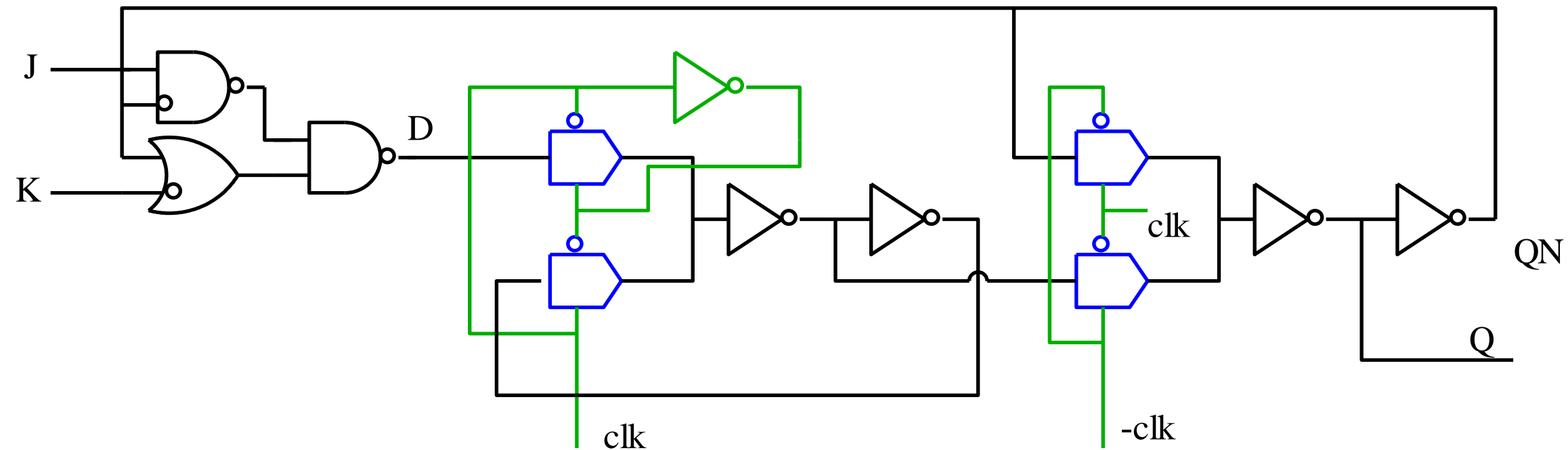


REGISTERS





CLOCKING STRATEGIES – JK REGISTERS

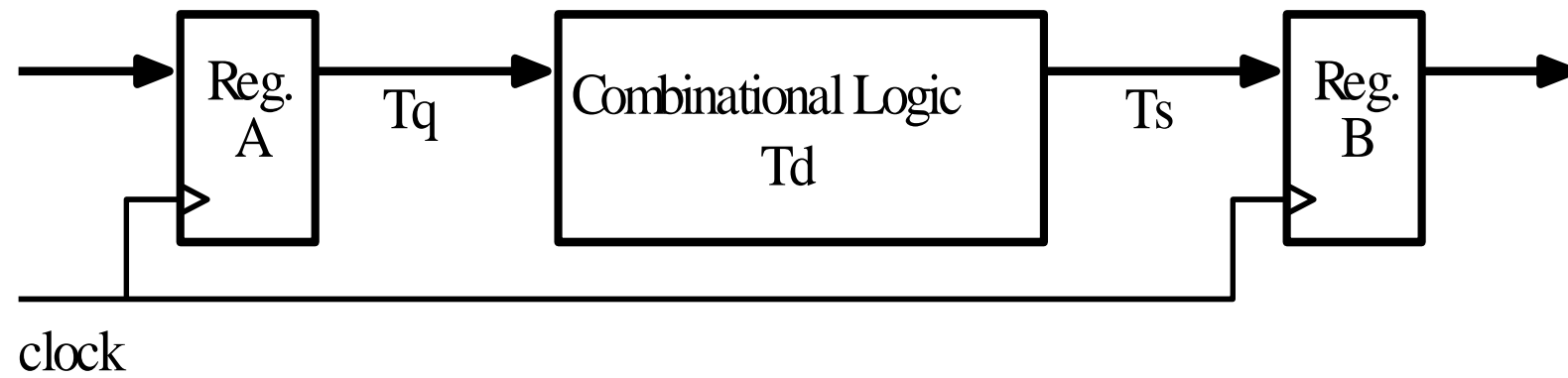


$J=K=0; Q=D$
 $JN=KN=1; A=QN, B=1; D=AN=Q$
 $J=0; K=1$
 $KN=0, JN=1; A=1, B=1; D=0$
 $J=1; K=0$
 $KN=1, JN=0; A=QN, B=Q; D=1;$
 $J=1; K=1$
 $KN=0, JN=0; A=1, B=Q; D=QN$

J	K	CLOCK	Q	QN
0	0	HI	Q	QN
0	1	HI	0	1
1	0	HI	1	0
1	1	HI	QN	Q



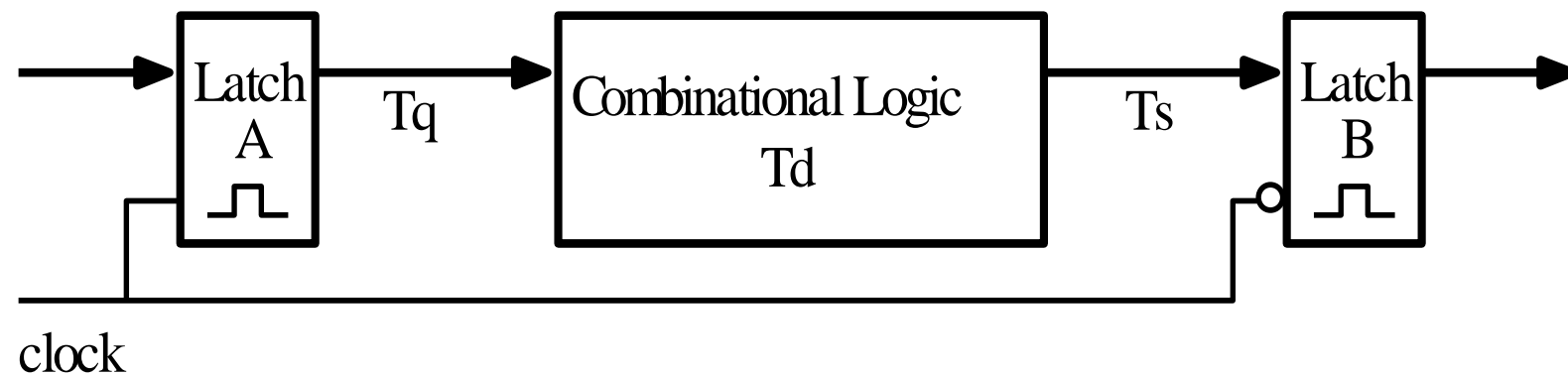
SYSTEM TIMING



$$T_{da} < T_{c1} - T_{qa} - T_{sb}$$

T_{qa} : the clock-to-Q time of latch A

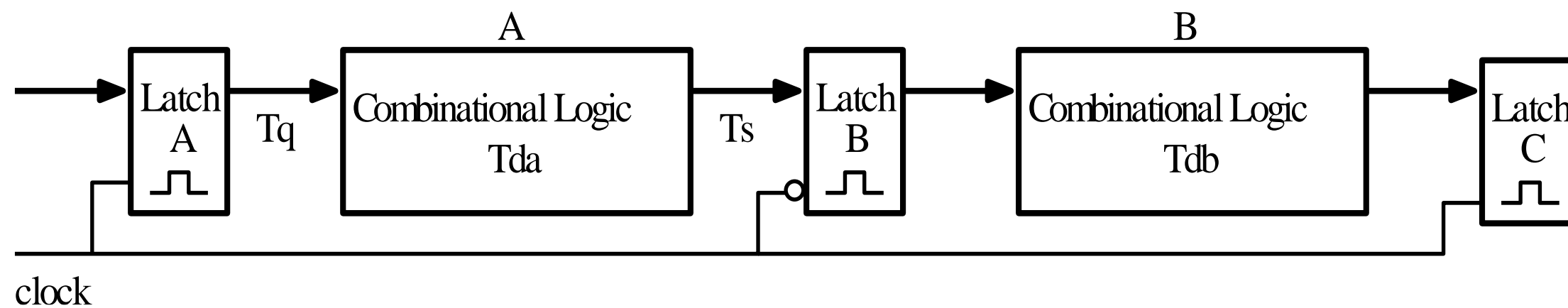
T_{sb} : the setup time of latch B



$$T_{db} < T_{c0} - T_{qb} - T_{sc}$$

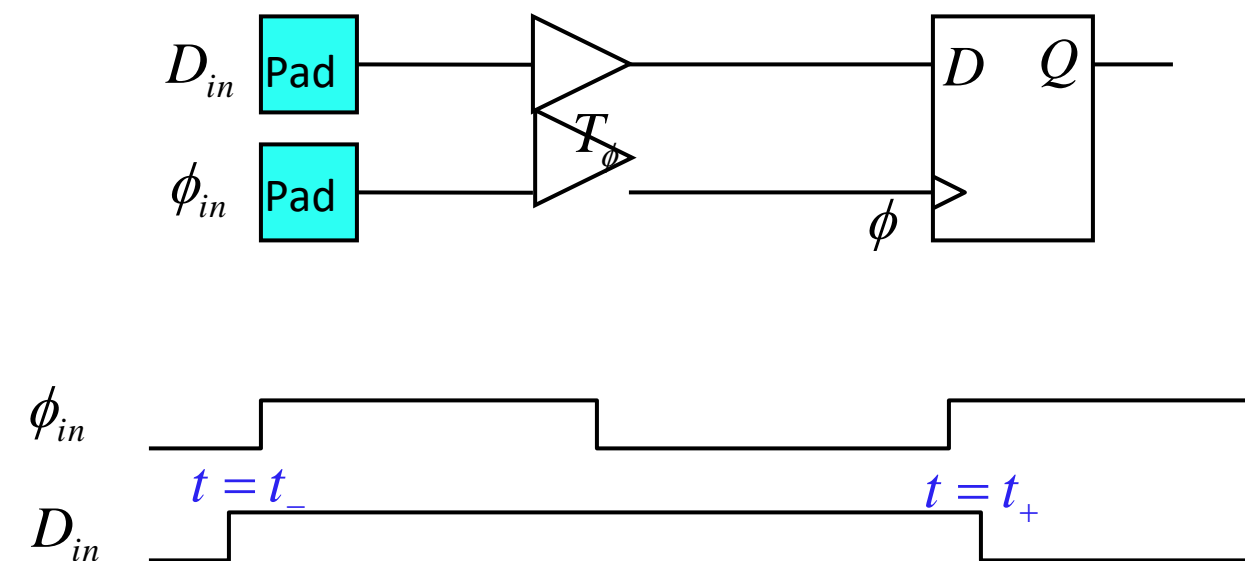
Finally,

$$T_c = T_{da} + T_{db} + 2[T_q + T_s]$$





SETUP & HOLD TIME



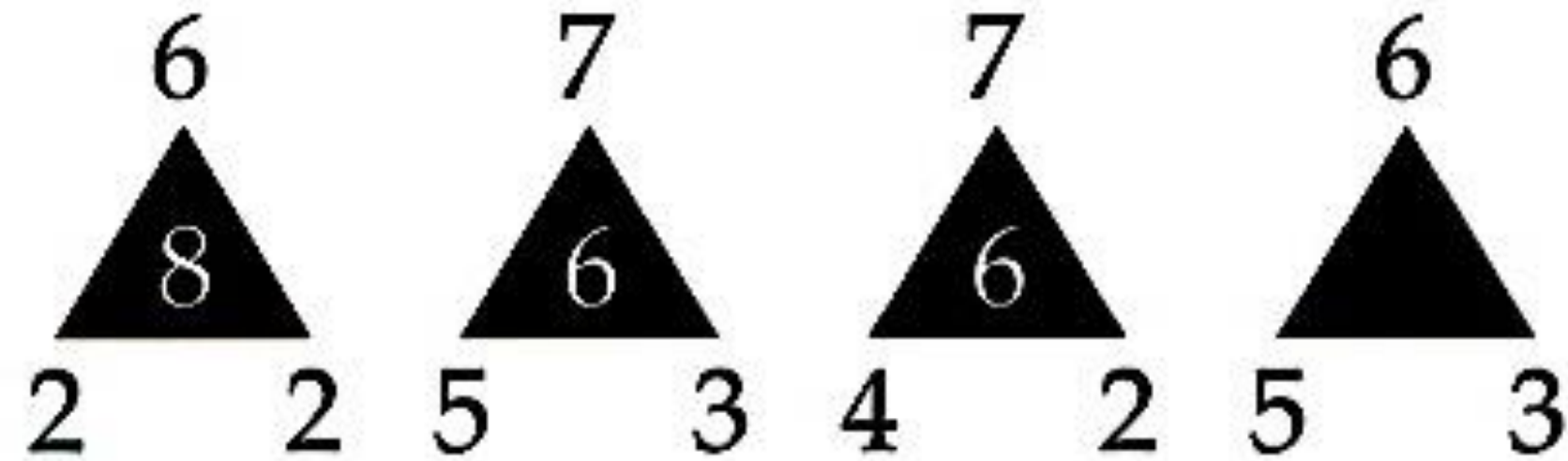
For an ideal DFF,

If D_{in} is high when $t = t_-$, then Q should be high

If D_{in} becomes to low when $t = t_+$, then Q still is high



CLASS ROOM ACTIVITY



Question:

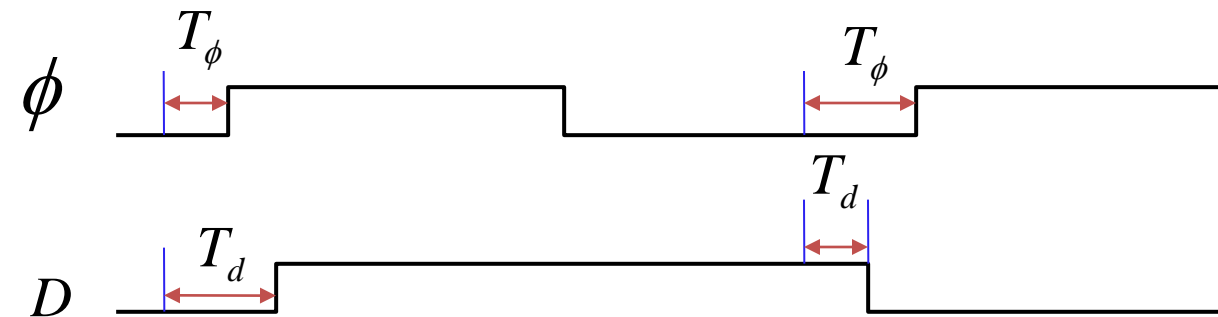
Which figure should be placed in the empty triangle?

This puzzle works your executive functions in your frontal lobes by using your pattern recognition, hypothesis testing, and logic. Let us know how you do!

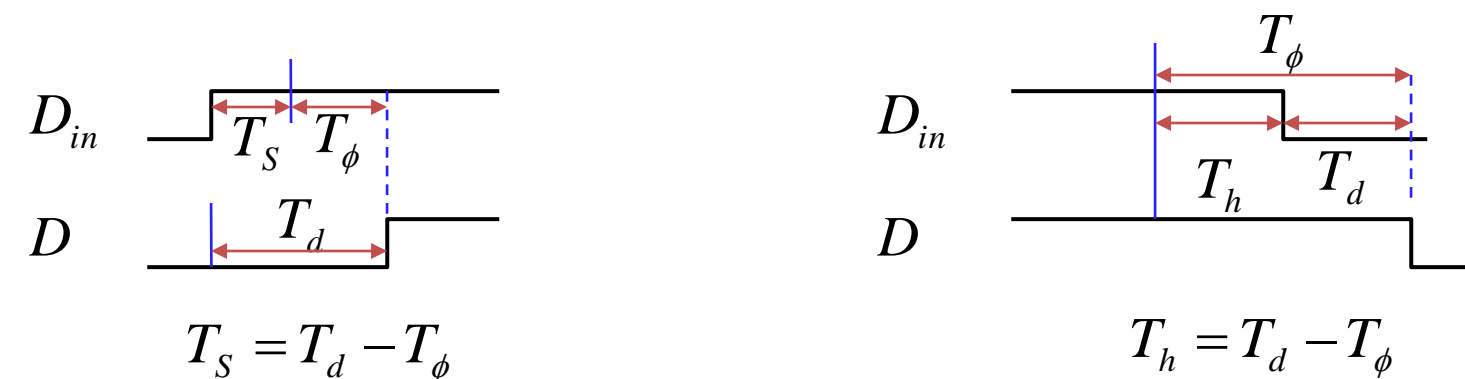


SETUP & HOLD TIME

When $T_d > T_\phi$, D_{in} should become high earlier and Q can become high



When $T_d < T_\phi$, D_{in} should retain at high longer and Q can be still at high



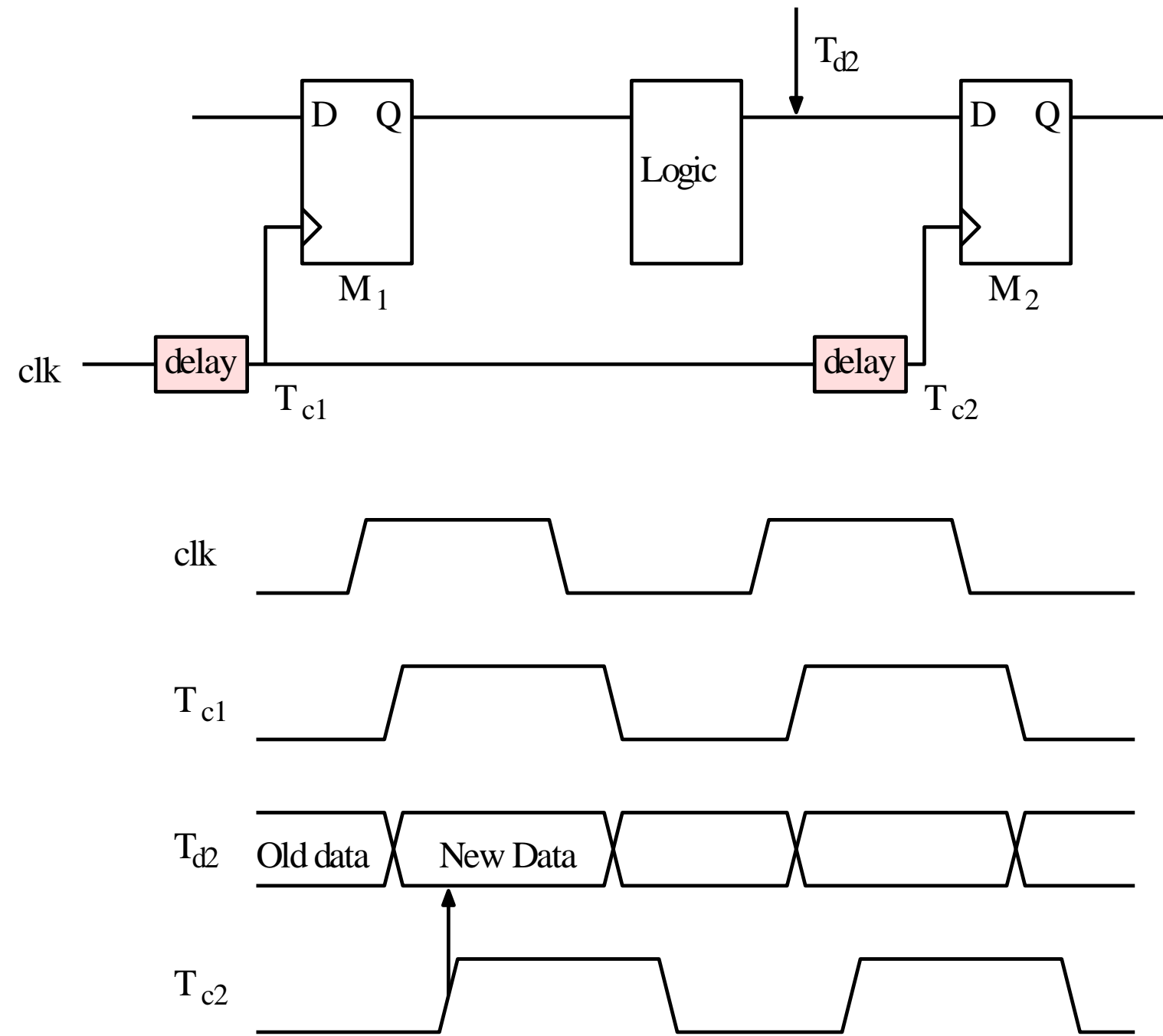
ANSWER: 3

SOLUTION:

The top number minus the bottom left-hand number is multiplied by the bottom right-hand number to give the number inside the triangle.



SETUP & HOLD TIME



1. When $T_{dc} > T_{dq} + T_{dl}$, M_2 latches

the New data

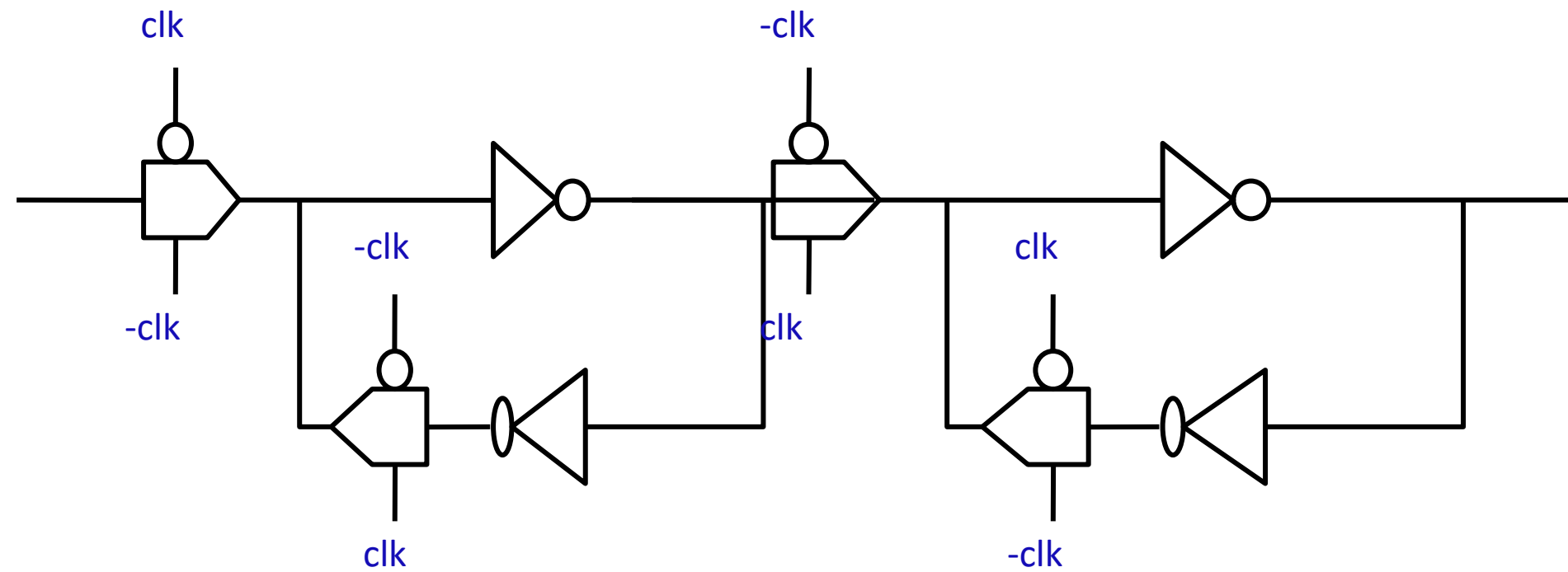
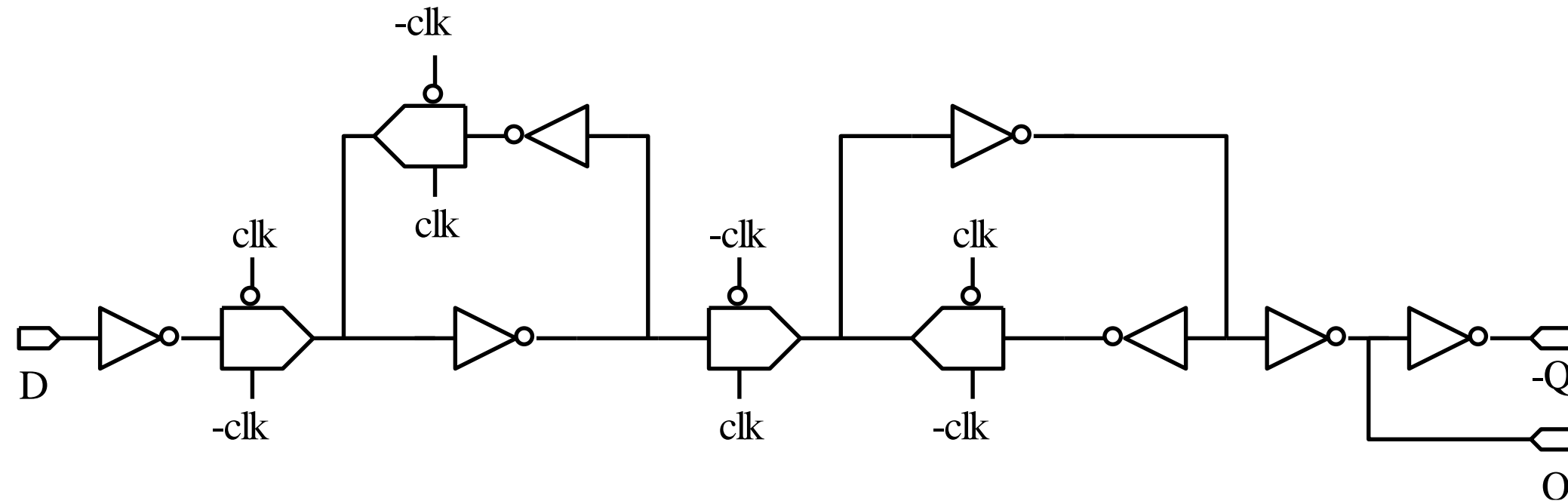
2. When $T_{dq} + T_{dl} - T_{dc} > T_C$, M_2

latches Old data twice

Therefore, $0 < T_{dq} + T_{dl} - T_{dc} < T_C$

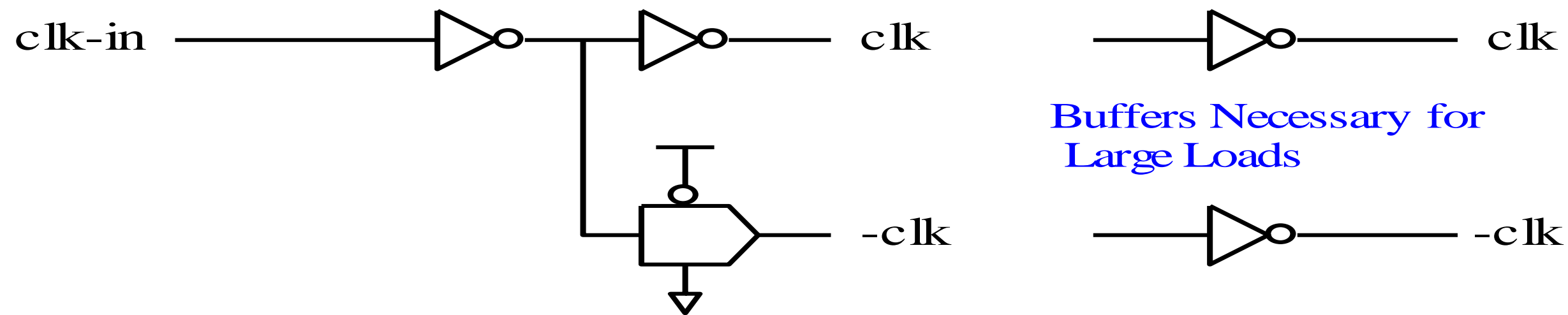
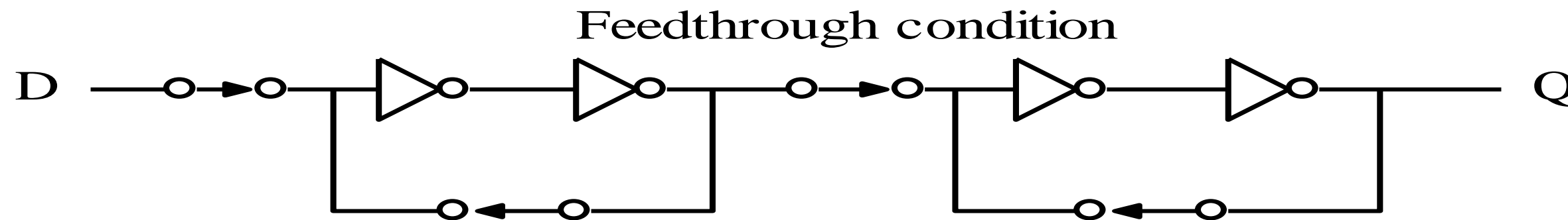
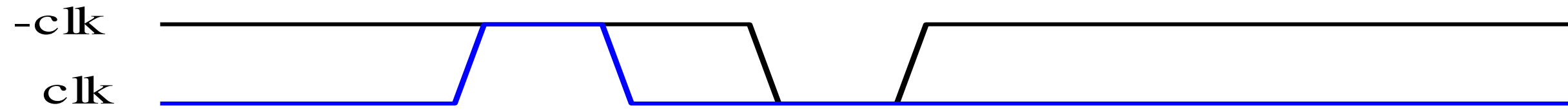


D REGISTER



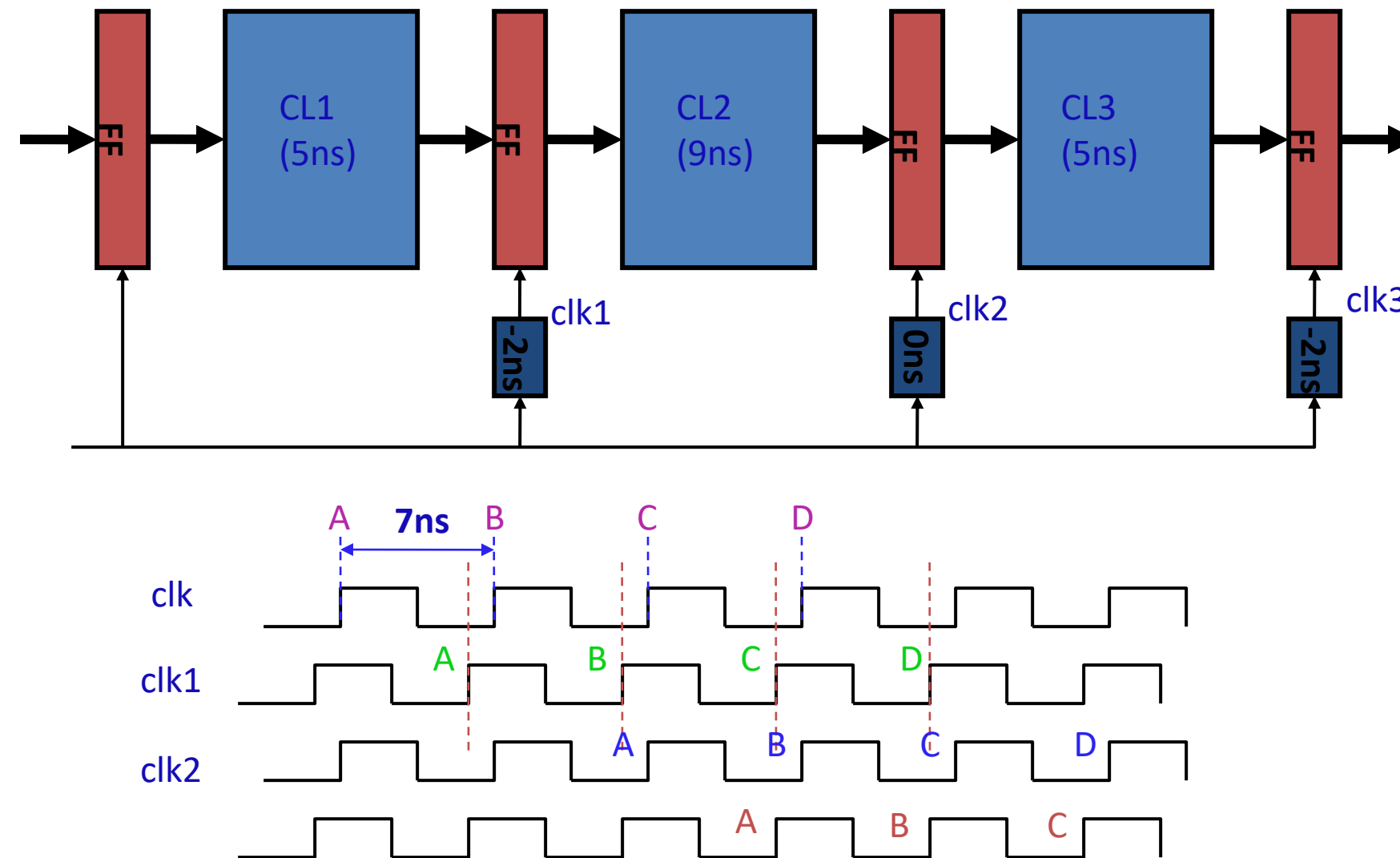


CLOCK SKEW



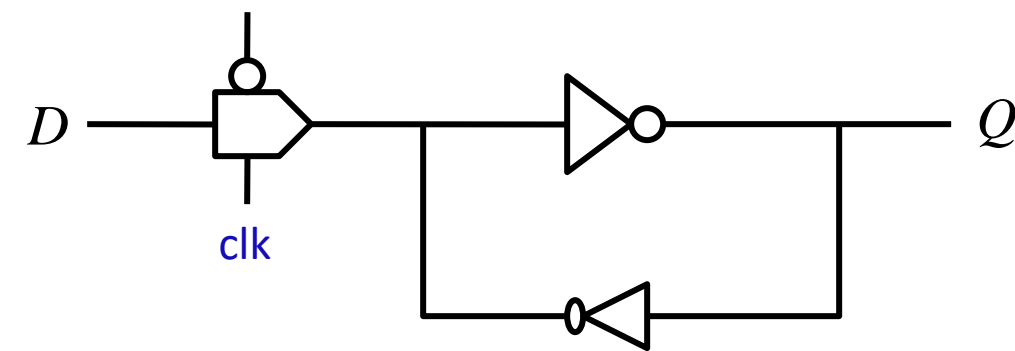


STRATEGIES-SKEW CLOCK PIPELINE

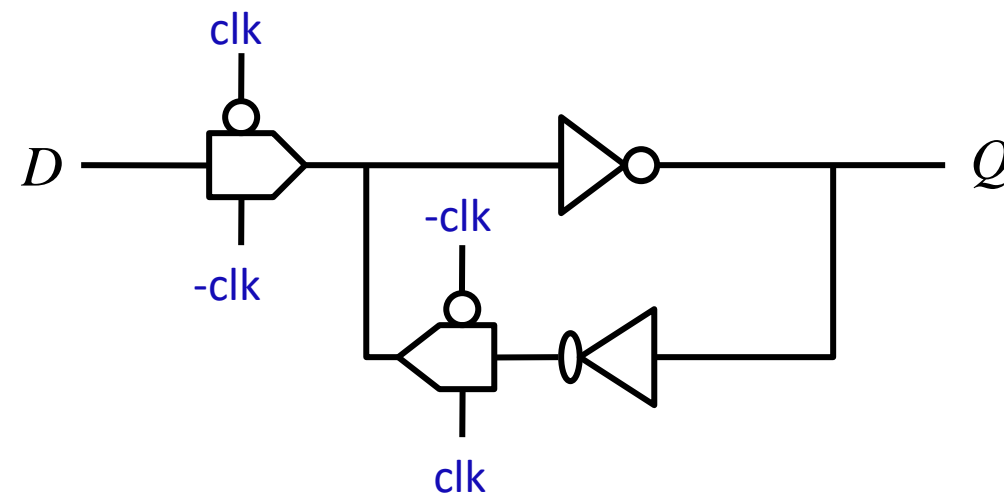




LATCHES

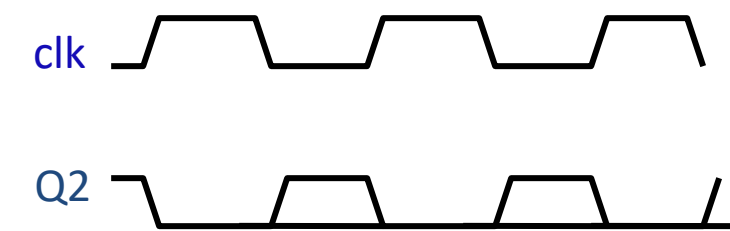
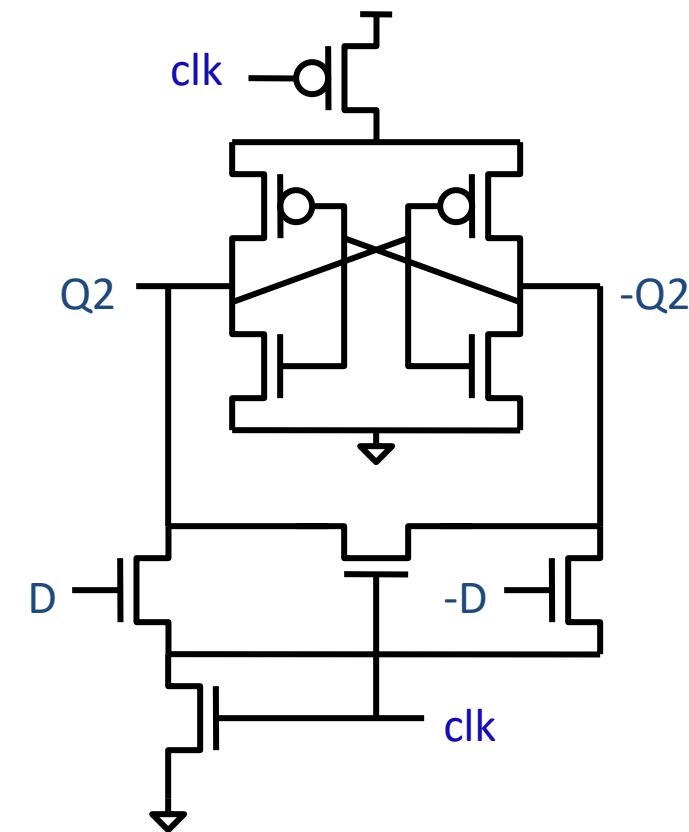
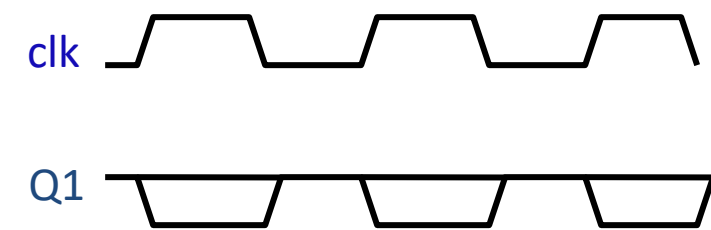
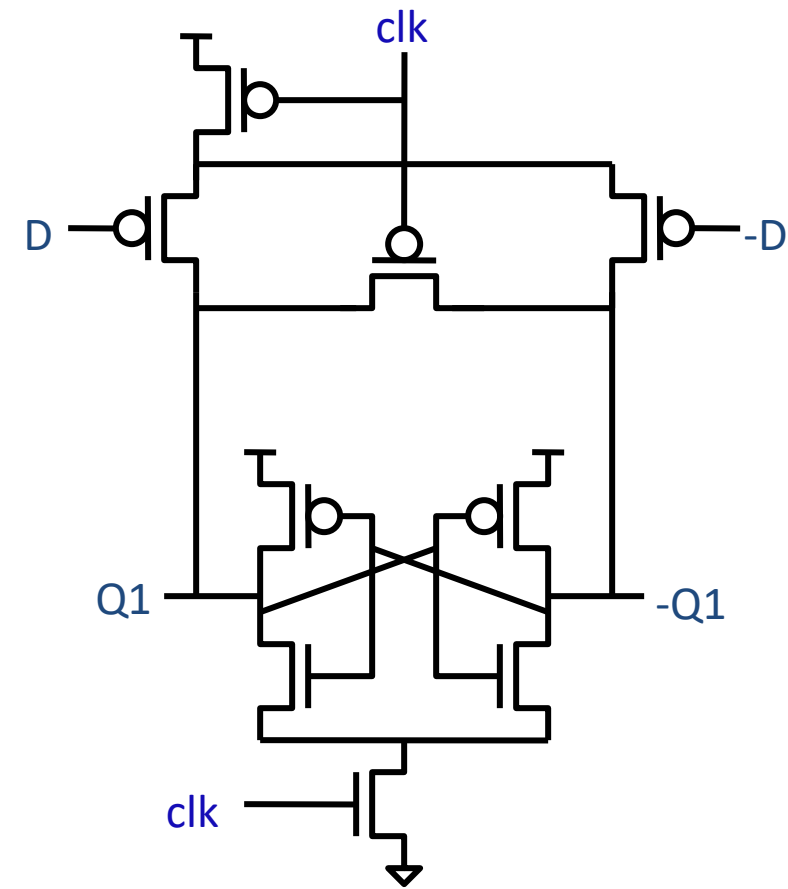


1. Low area cost
2. Driving capability of D must override the feedback inverter



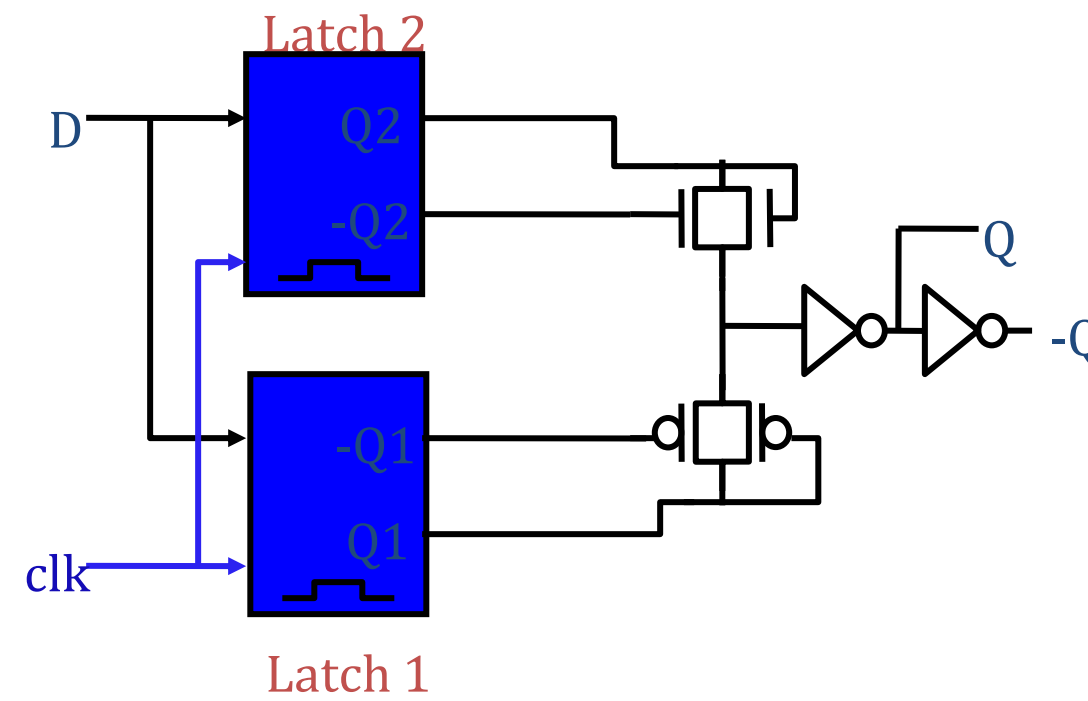


DETDFE -LATCH 1 & 2





DETDFD

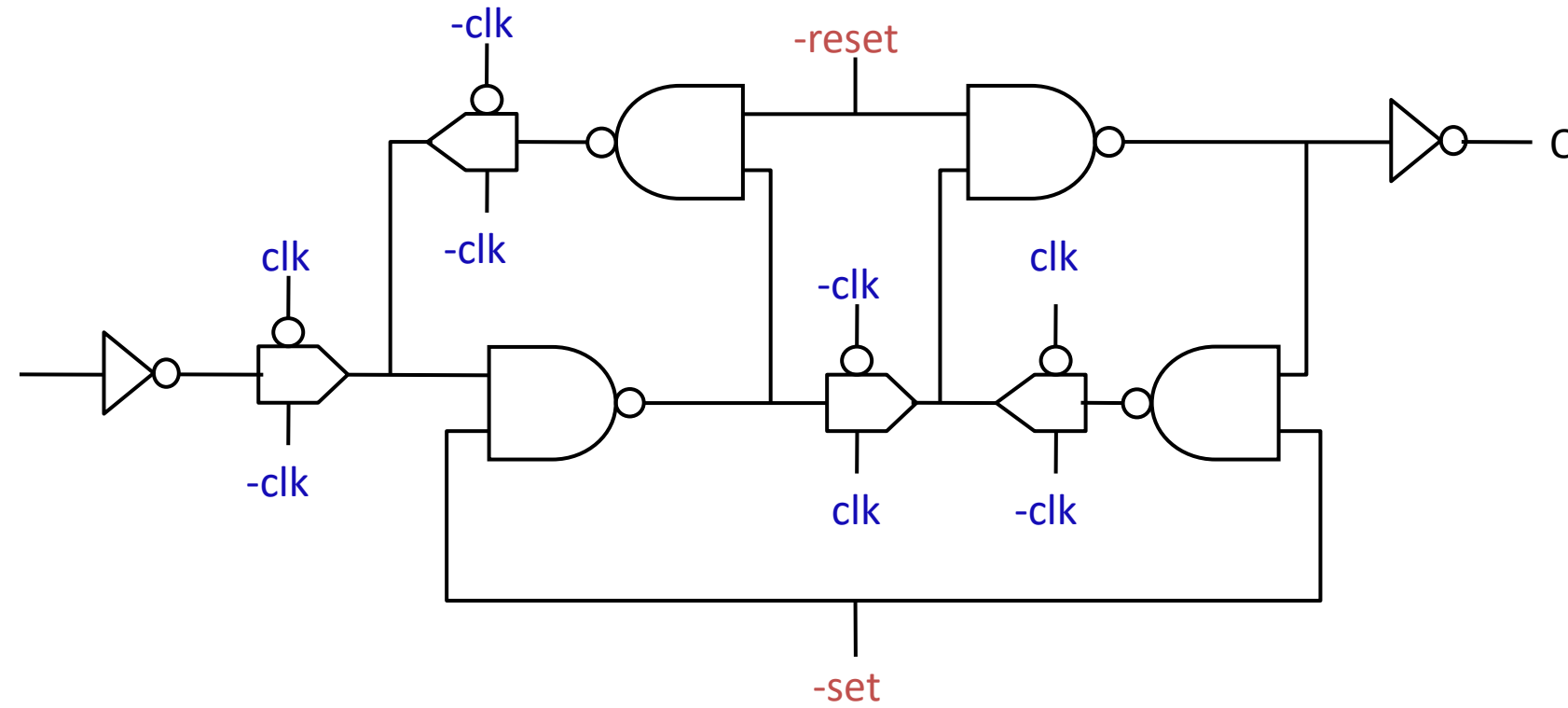


clk $\overline{\text{Latch 1 enabled}}$ $\overline{\text{Latch 2 enabled}}$
Q2=-Q2=low Q1=-Q1=high





ASYNCHRONOUSLY SETTABLE & RESETTABLE REGISTER

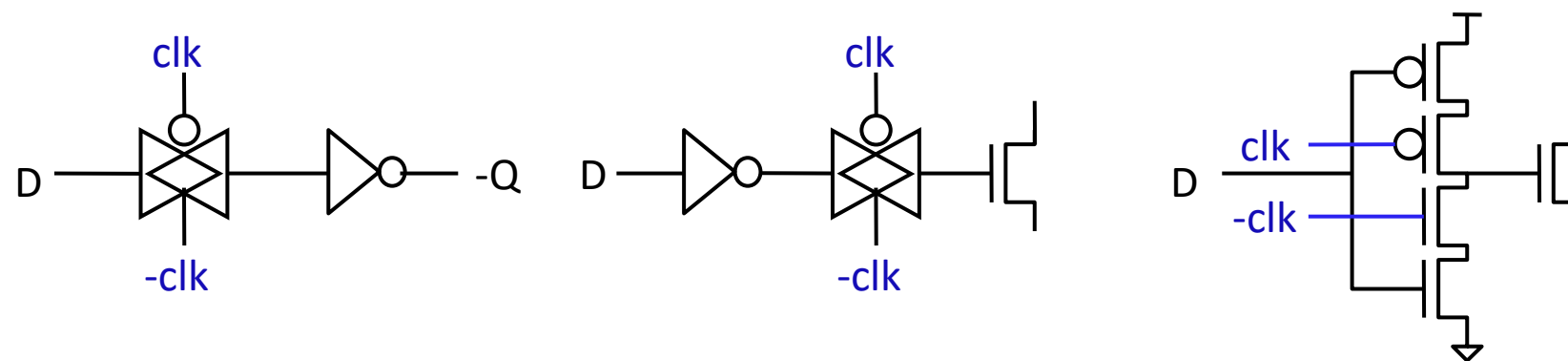




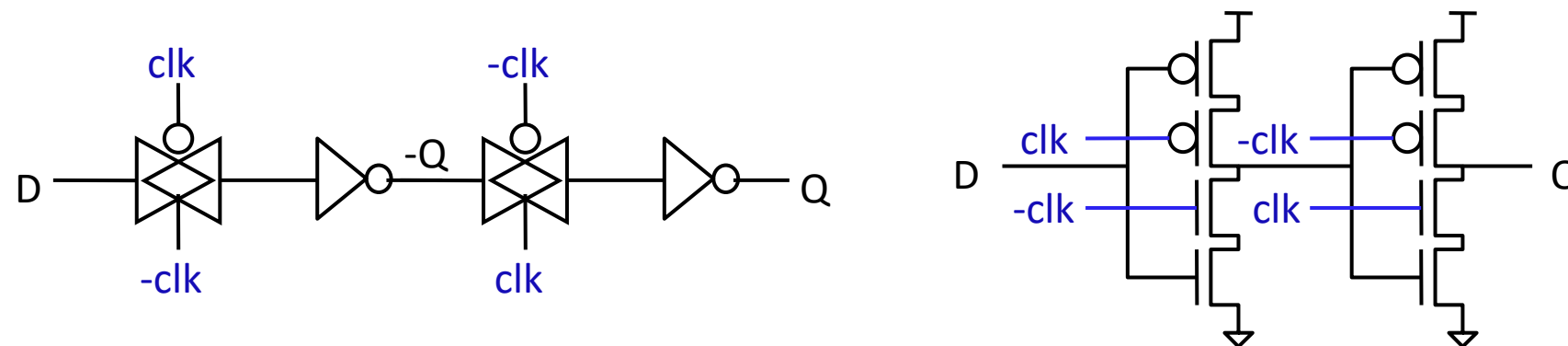
DYNAMIC REGISTERS & SINGLE CLOCK



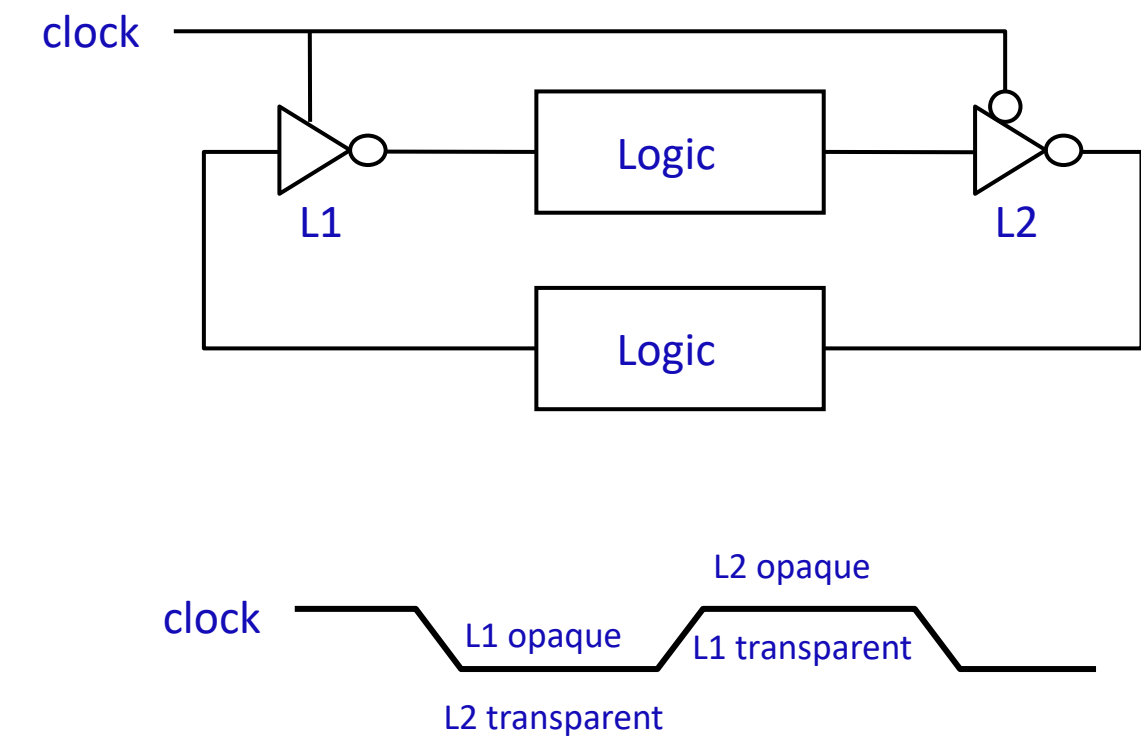
Dynamic single clock latches



Dynamic single clock registers



single clock





ASSESSMENT



1. Compare System timing-setup & hold time
2. Differentiate & Draw the clock strategies of Asynchronously settable & resettable register
3. Define Clock Skew





SUMMARY & THANK YOU