



SNS COLLEGE OF TECHNOLOGY

Coimbatore-35
An Autonomous Institution



Accredited by NBA – AICTE and Accredited by NAAC – UGC with 'A+' Grade
Approved by AICTE, New Delhi & Affiliated to Anna University, Chennai

DEPARTMENT OF ELECTRONICS & COMMUNICATION ENGINEERING

19ECB302–VLSI DESIGN

III YEAR/ V SEMESTER

1

UNIT 3 –SEQUENTIAL LOGIC CIRCUITS

TOPIC 7–LOW POWER MEMEORY CIRCUITS



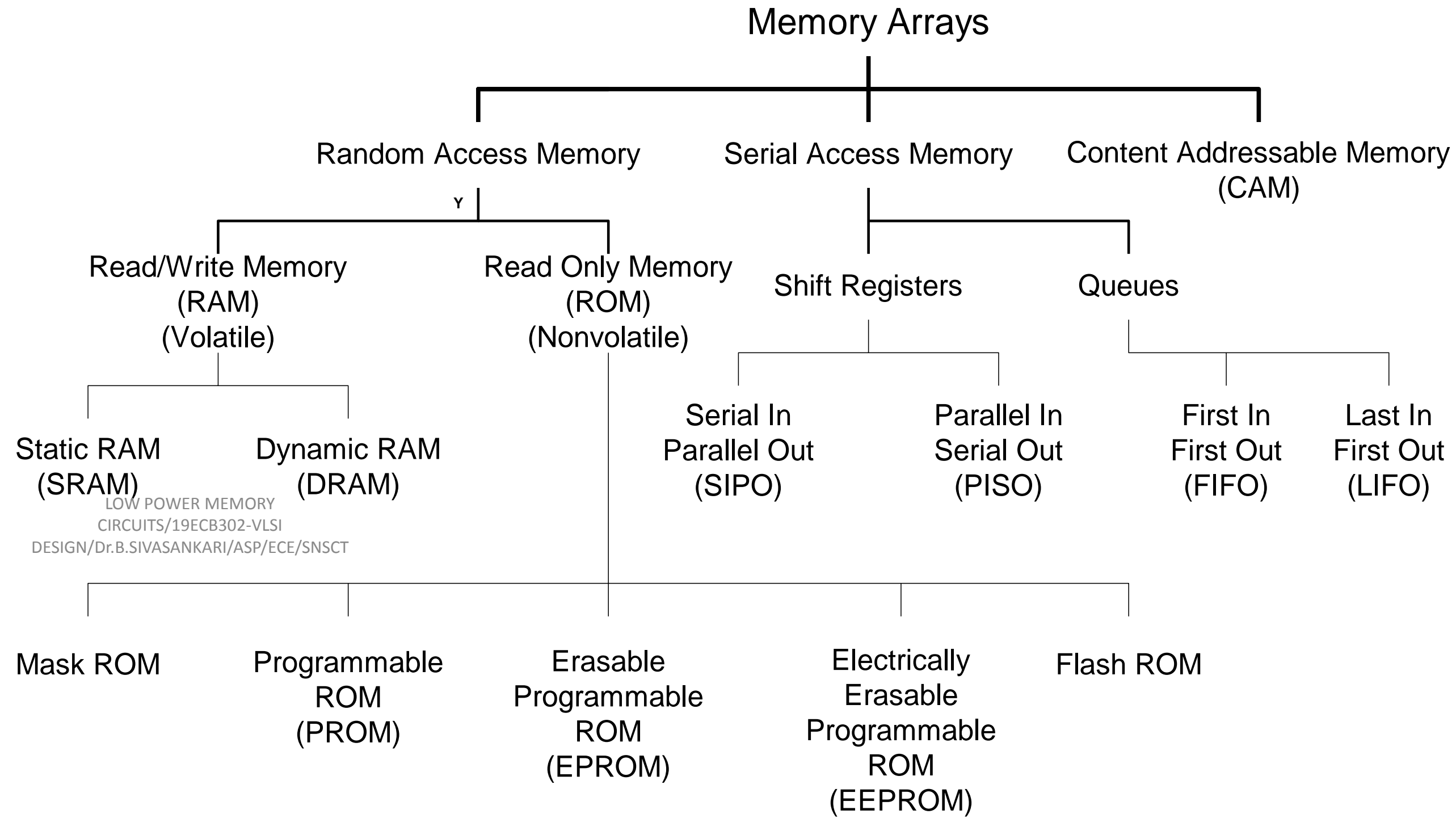
OUTLINE



- MEMORY CLASSIFICATION & MEMORY ARRAYS
- ARRAY ARCHITECTURE
- RAM VS ROM
- DRAM VS SRAM
- 6T SRAM CELL
- SRAM SIZING
- CAMS-CAM IN CACHE MEMORY, 10T CAM Cell, CAM CELL OPERATION
- ACTIVITY
- ROM
- MOS NAND ROM
- ROM EXAMPLE
- NON-VOLATILE MEMORIES
THE FLOATING-GATE TRANSISTOR (FAMOS)
- PERIPHERY
 - DECODERS
 - SENSE AMPLIFIERS
 - INPUT/OUTPUT BUFFERS
 - CONTROL / TIMING CIRCUITRY
- ASSESSMENT
- SUMMARY



MEMORY ARRAYS





MEMORY CLASSIFICATION



Read-Write Memory		Non-Volatile Read-Write Memory	Read-Only Memory
Random Access	Non-Random Access	E PROM 2^2 E PROM FLASH	Mask-Programmed Programmable (PROM)
SRAM DRAM	FIFO LIFO Shift Register CAM		

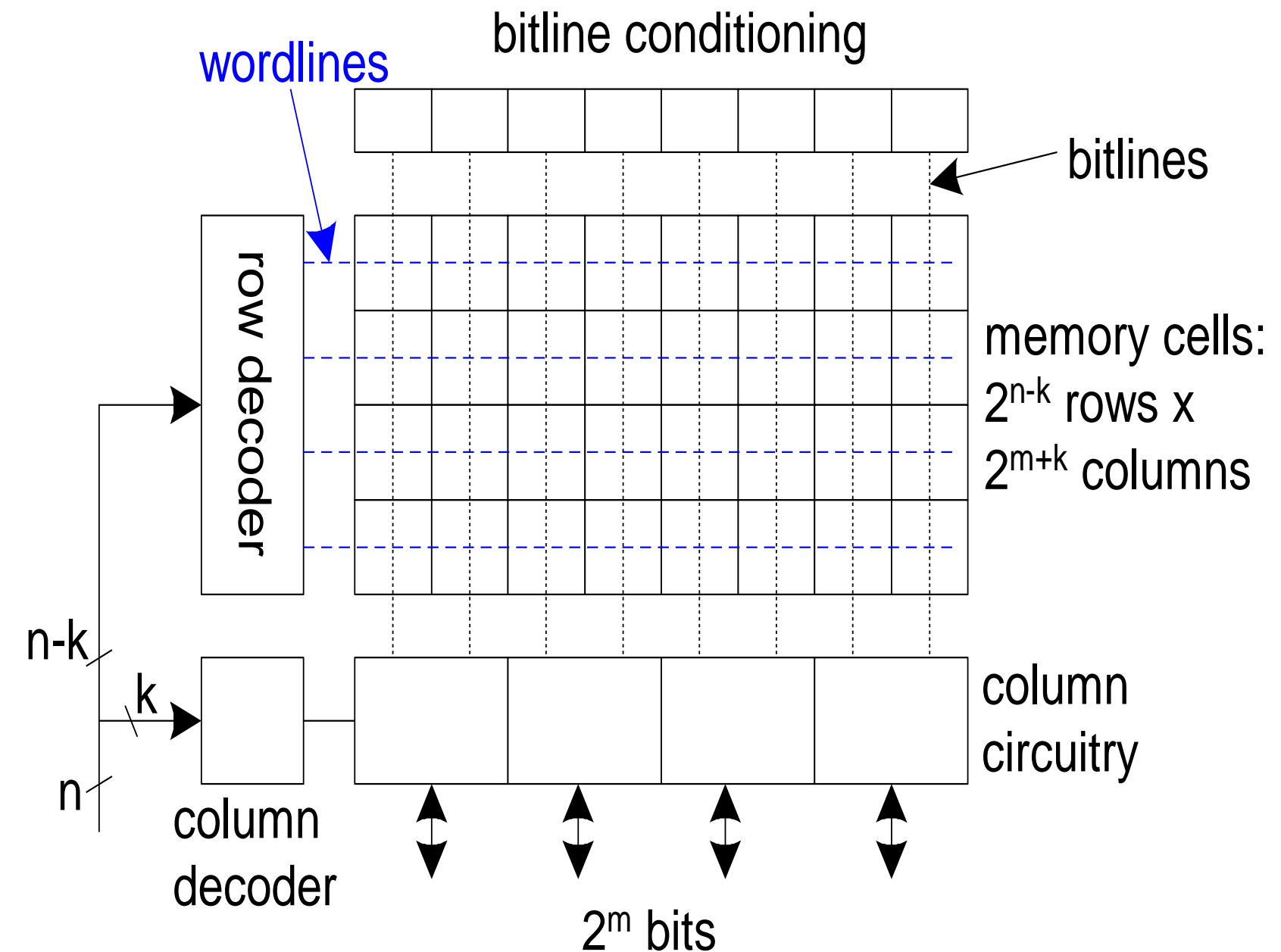


ARRAY ARCHITECTURE



- 2^n words of 2^m bits each
- If $n \gg m$, fold by 2^k into fewer rows of more columns

- Good regularity – easy to design
- Very high density if good cells are used





RAM VS ROM

RAM

- Random write and read operation for any cell
- Volatile data
- Most of computer memory
- DRAM
 - Low Cost
 - High Density
 - Medium Speed
- SRAM
 - High Speed
 - Ease of use
 - Medium Cost

ROM

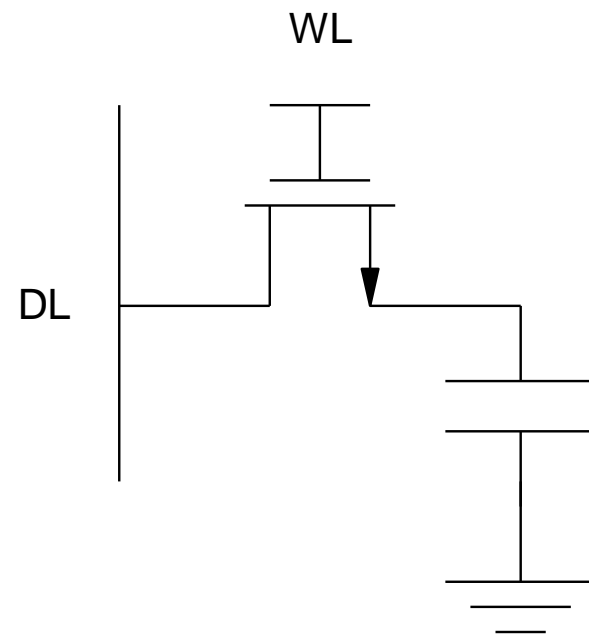
- Non-volatile Data
- Method of Data Writing
- Mask ROM
 - Data written during chip fabrication
- PROM
 - Fuse ROM: Non-rewritable
 - EPROM: Erase data by UV rays
 - EEPROM: Erase and write through electrical means
 - Speed 2-3 times slower than RAM
 - Upper limit on write operations
 - Flash Memory – High density, Low Cost



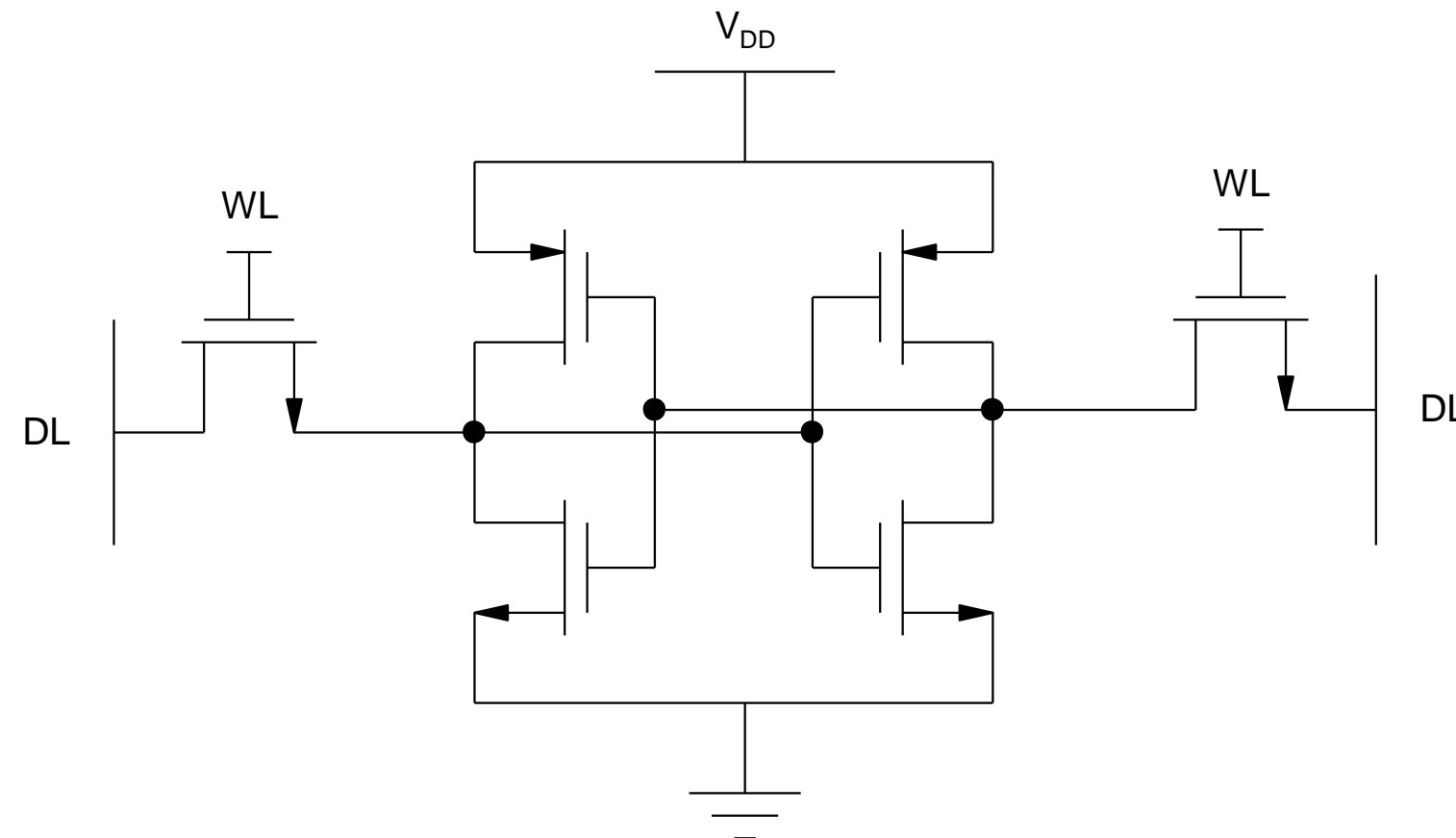
DRAM VS SRAM



DRAM



SRAM

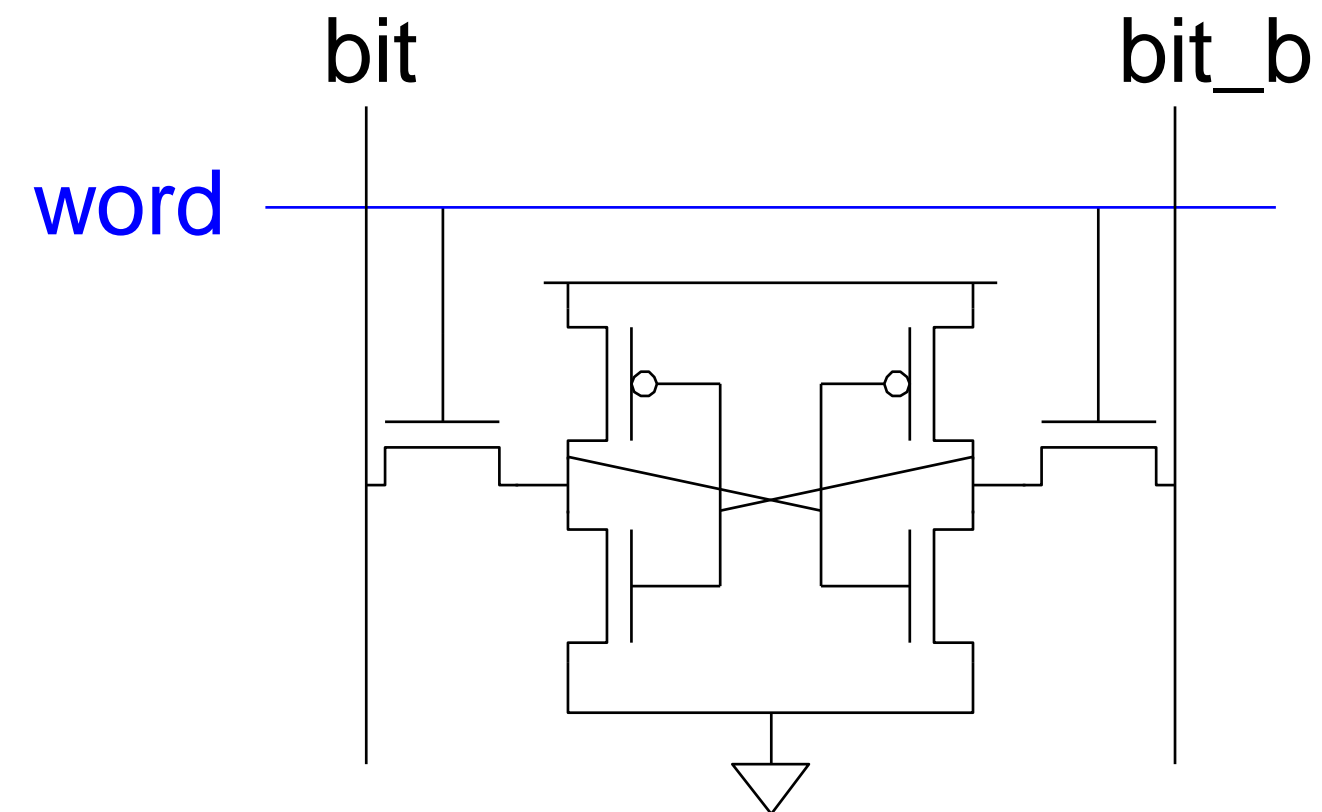




6T SRAM CELL



- Cell size accounts for most of array size
 - Reduce cell size at expense of complexity
- 6T SRAM Cell
 - Used in most commercial chips
 - Data stored in cross-coupled inverters
- Read:
 - Precharge bit, bit_b
 - Raise wordline
- Write:
 - Drive data onto bit, bit_b
 - Raise wordline

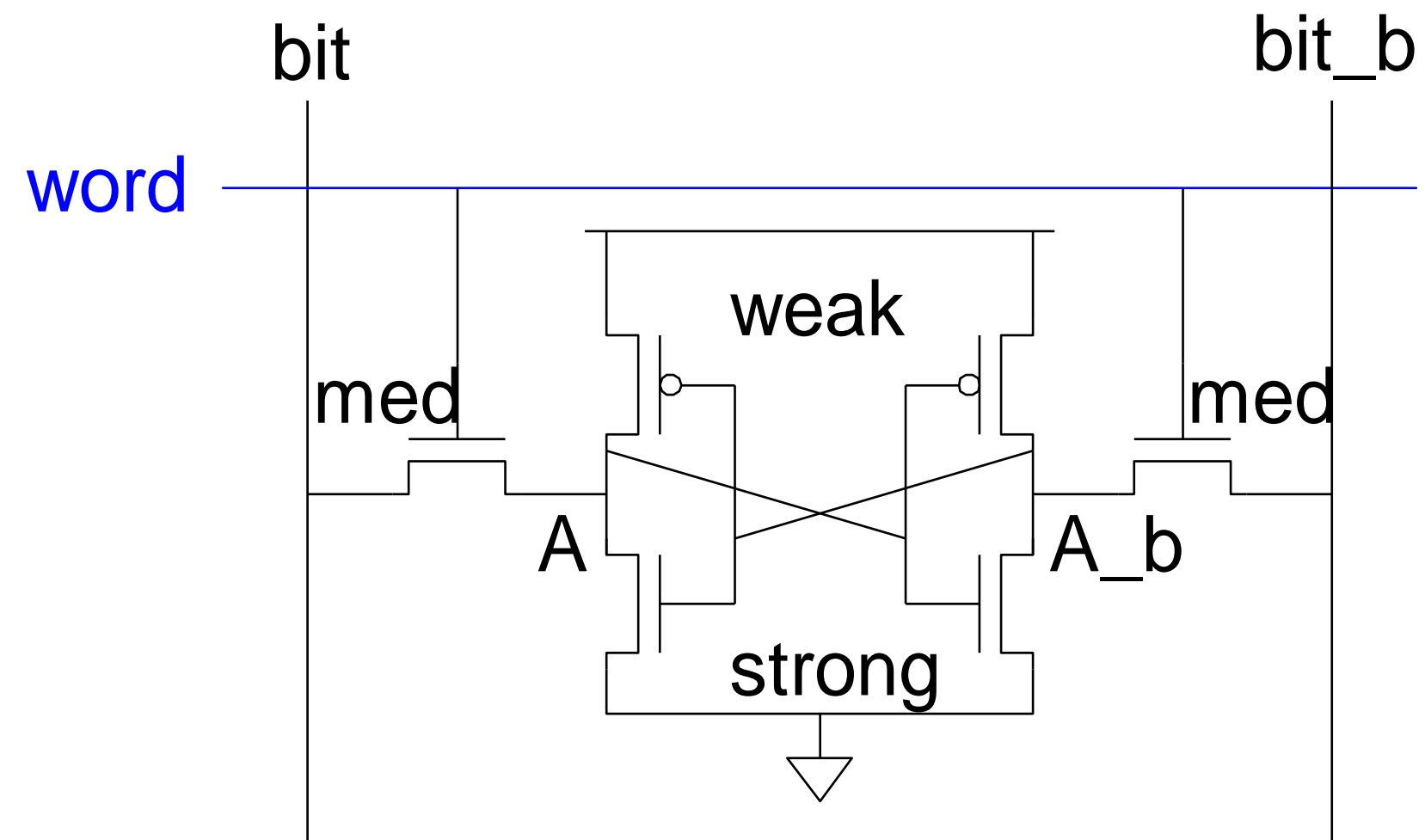




SRAM SIZING



- High bitlines must not overpower inverters during reads
- But low bitlines must write new value into cell



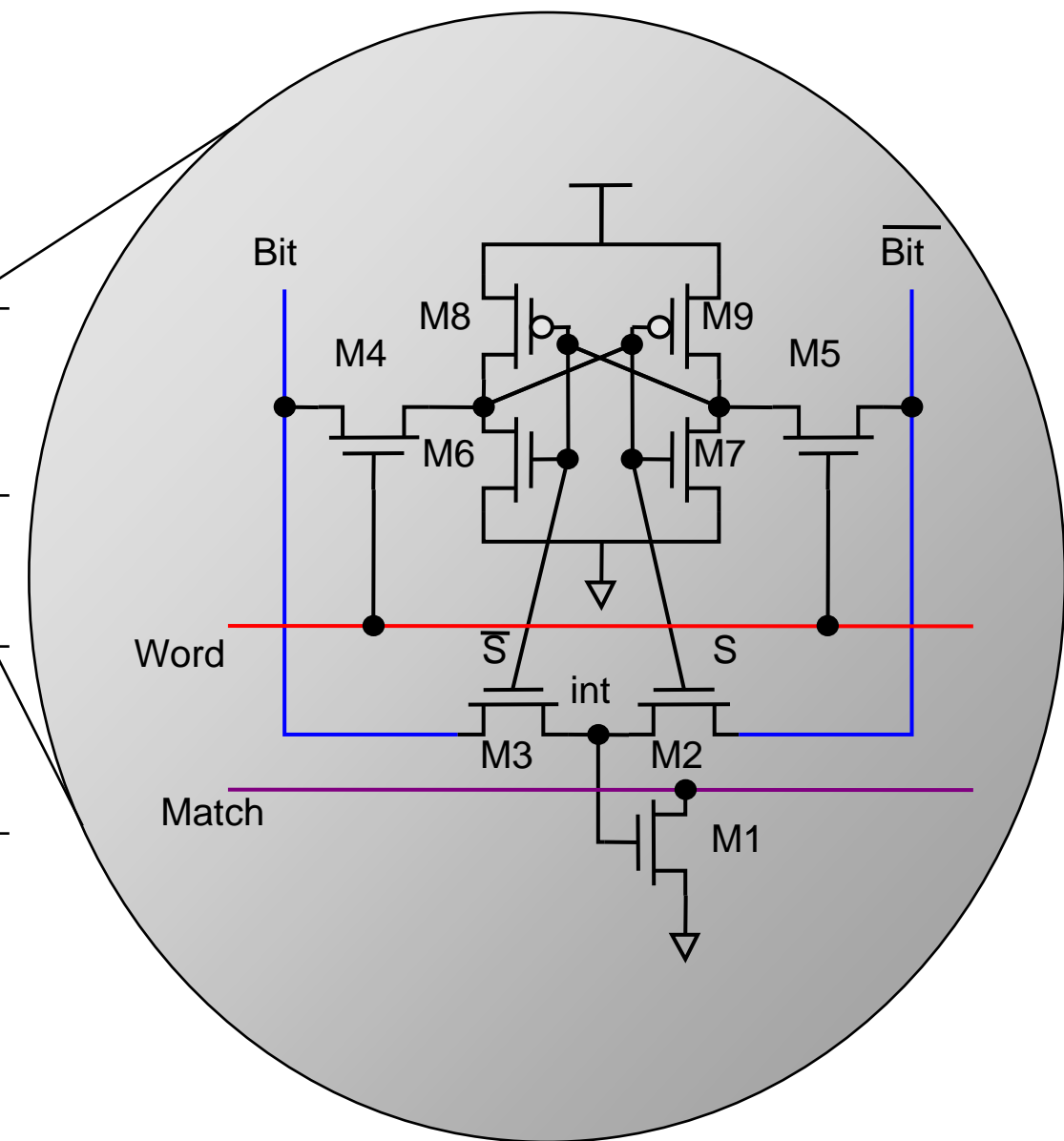
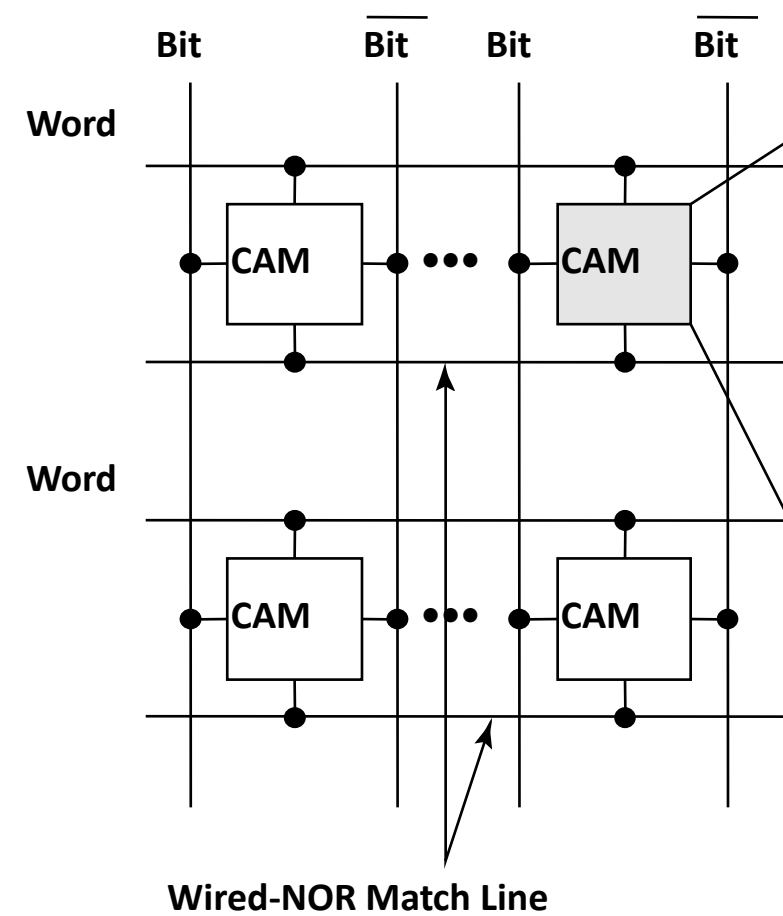
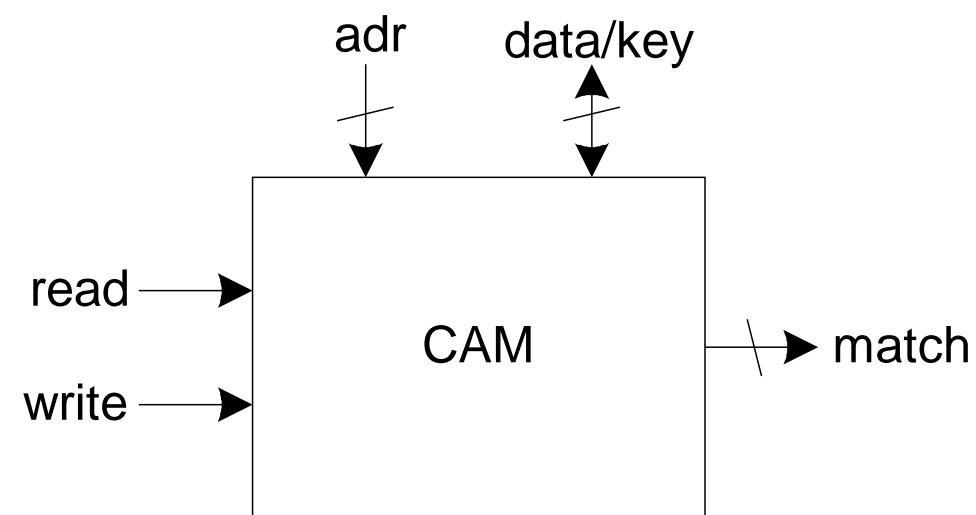


CAMS



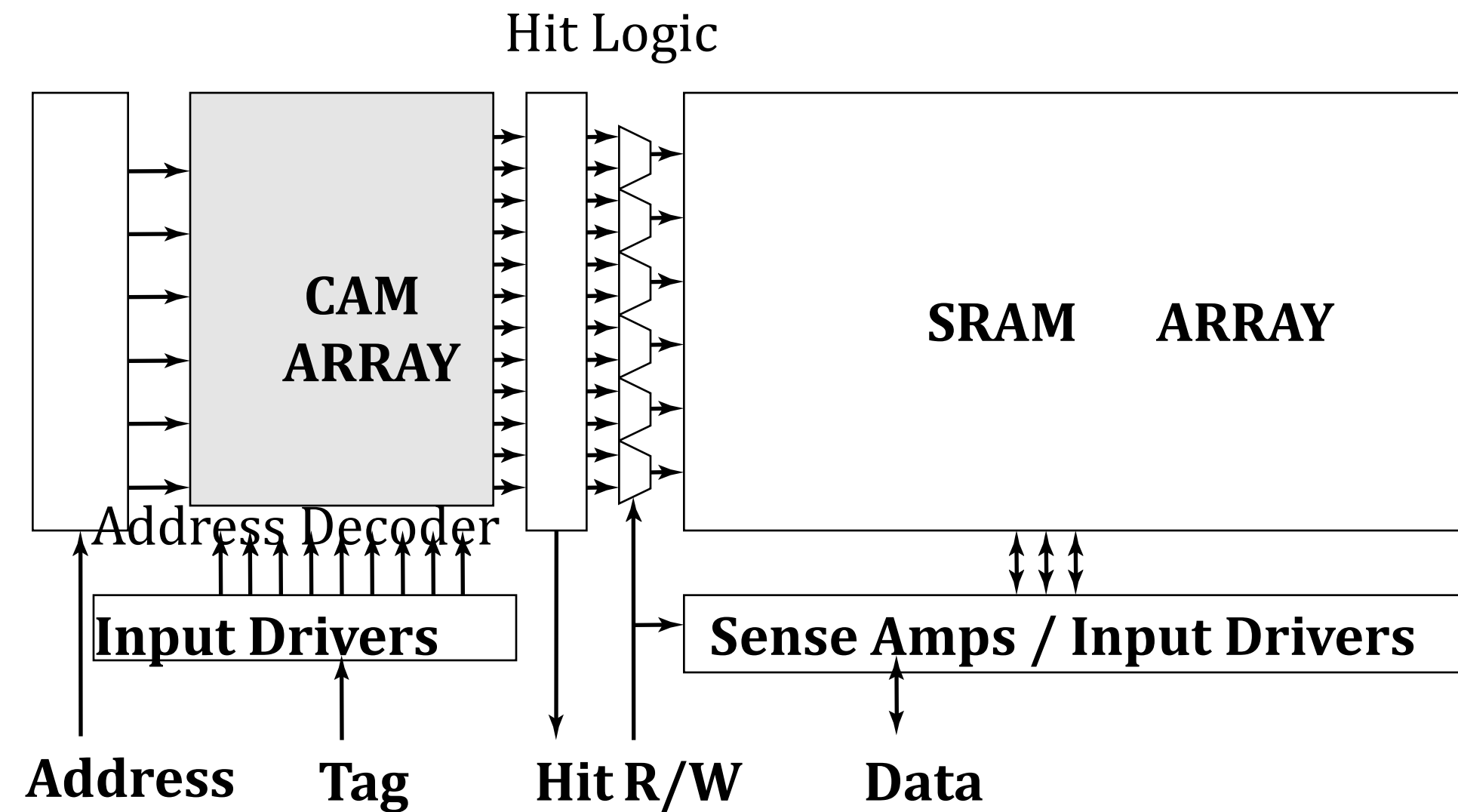
Extension of ordinary memory (e.g. SRAM)
Read and write memory as usual
Also match to see which words contain a key

Static CAM Memory Cell





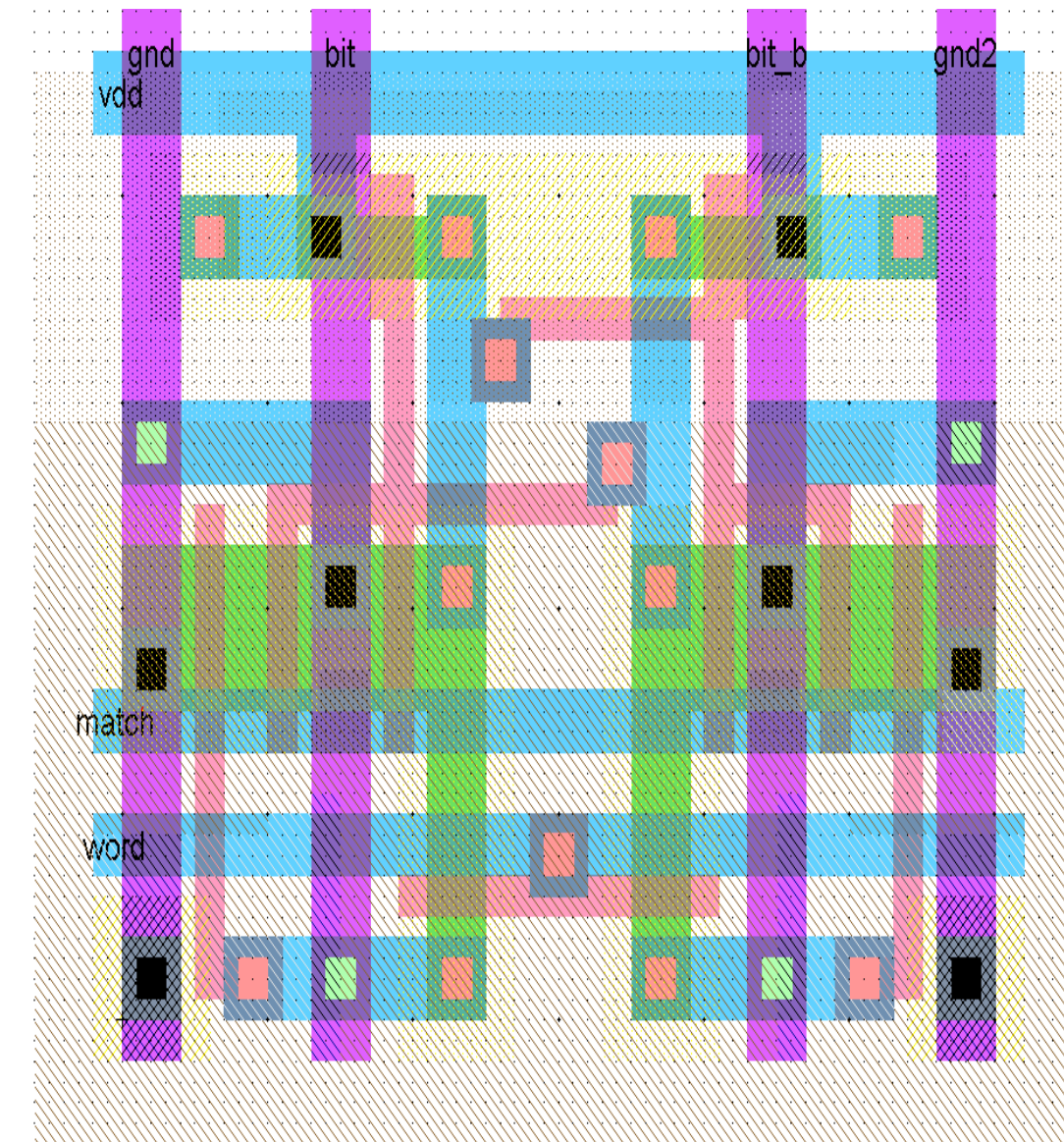
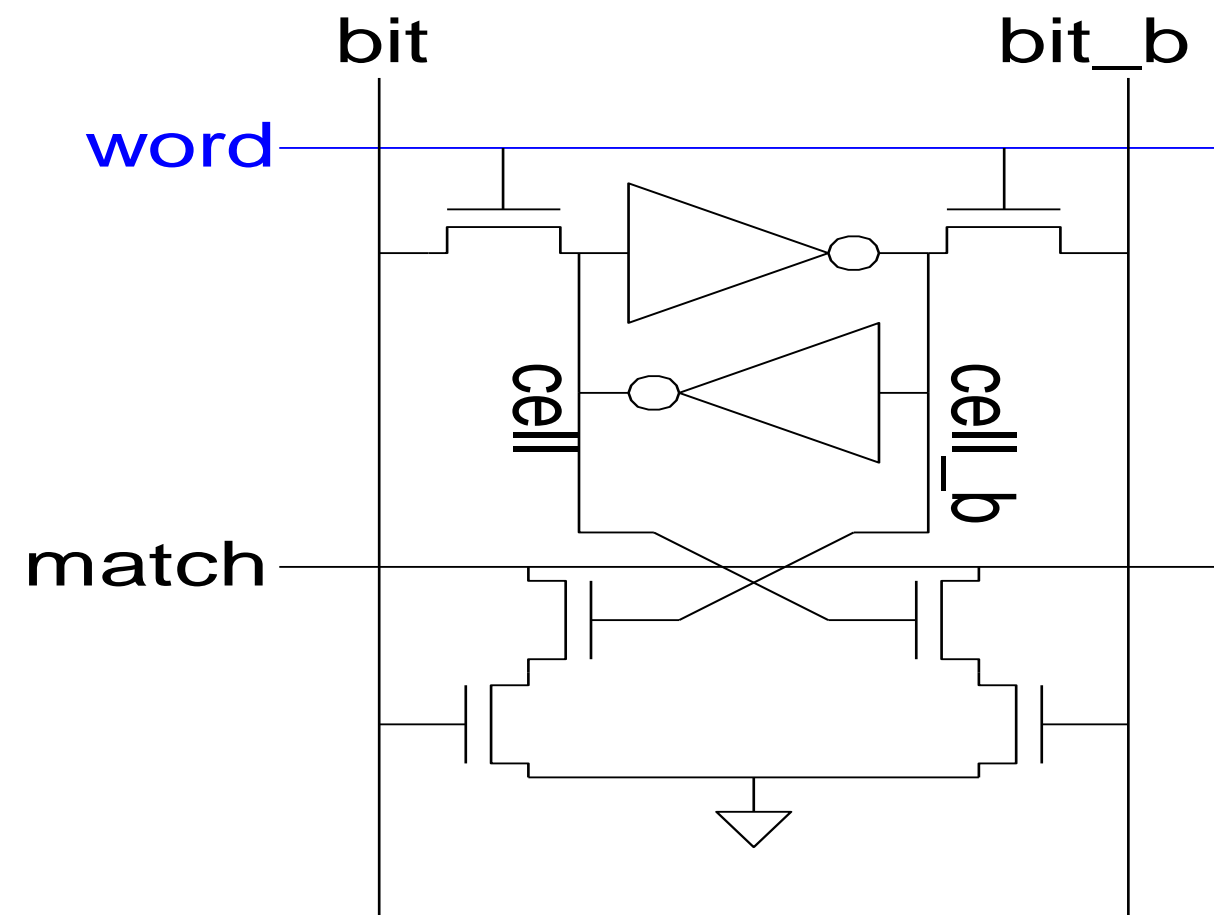
CAM IN CACHE MEMORY





10T CAM Cell

Add four match transistors to 6T SRAM
56 x 43 l unit cell

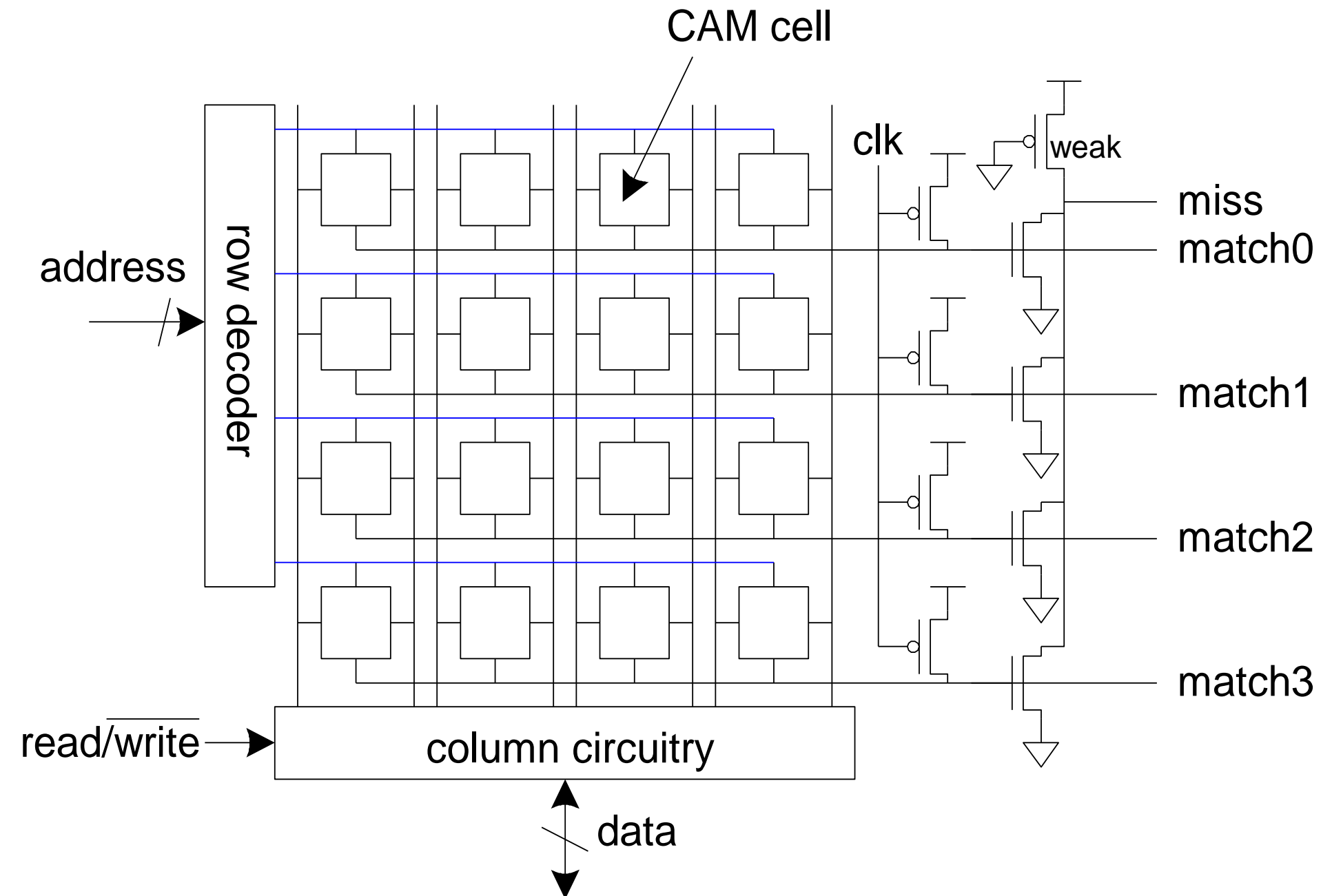




CAM CELL OPERATION



- Read and write like ordinary SRAM
- For matching:
 - Leave wordline low
 - Precharge matchlines
 - Place key on bitlines
 - Matchlines evaluate
- Miss line
 - Pseudo-nMOS NOR of match lines
 - Goes high if no words match



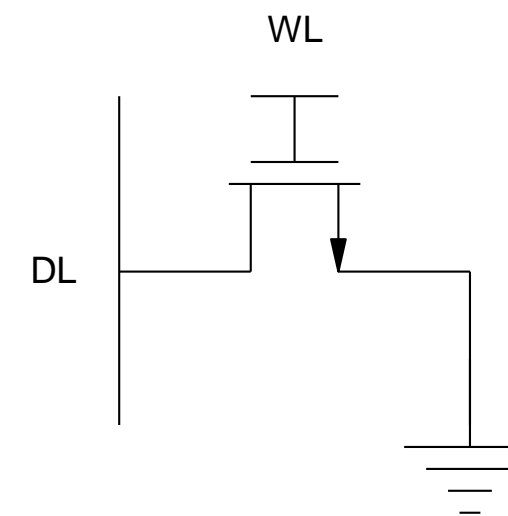
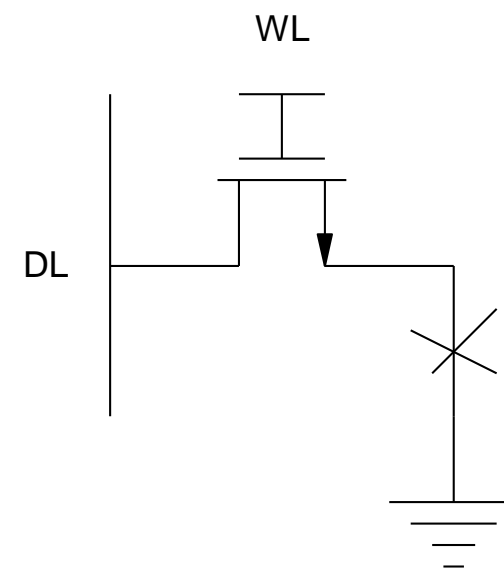


ROM

- To store constants, control information and program instructions in digital systems.
- To provide a fixed, specified binary output for every binary input.
- simple combinational Boolean network, which produces a specified output value for each input combination, i.e. for each address.
- storing binary information at a particular address location can be achieved by the presence or absence of a data path from the selected row (word line) to the selected column (bit line), which is equivalent to the presence or absence of a device at that particular location.

EEPROM

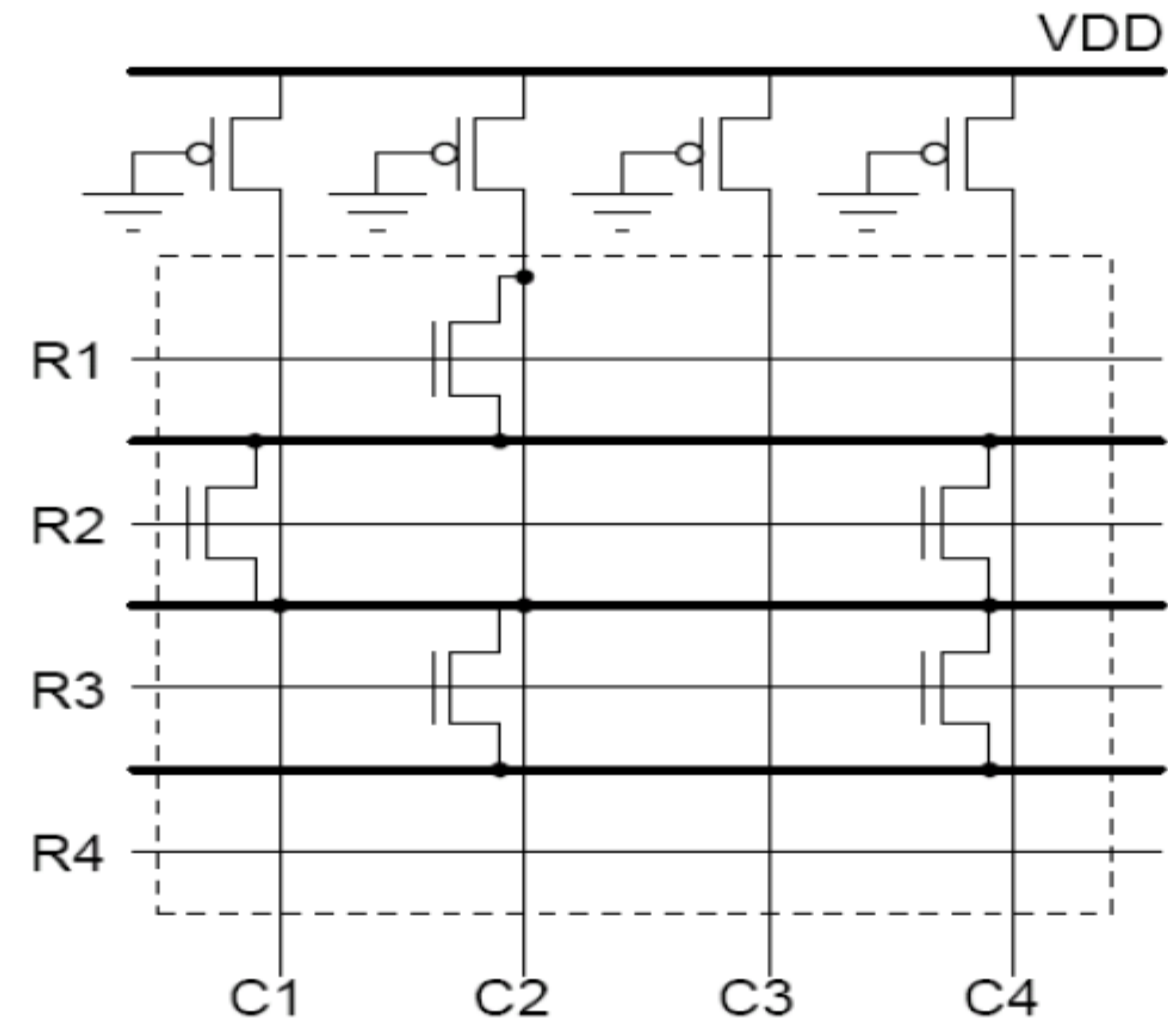
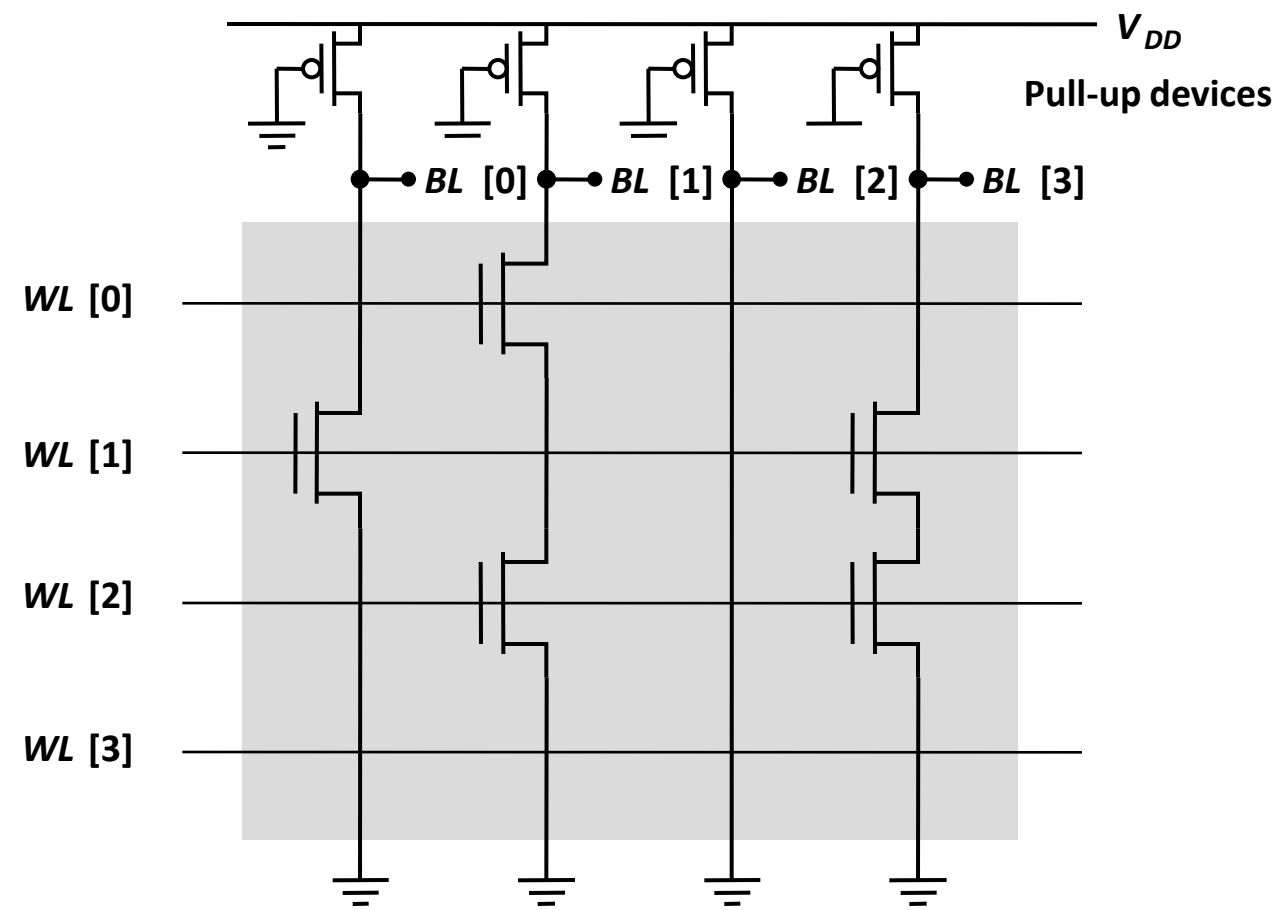
- Fuse ROM





NAND-based ROM Array

NOR-based ROM Array



All word lines high by default with exception of selected row



TRUTH TABLES

NAND-based ROM Array

R1	R2	R3	R4	C1	C2	C3	C4
0	1	1	1	0	1	0	1
1	0	1	1	0	0	1	1
1	1	0	1	1	0	0	1
1	1	1	0	0	1	1	0

NOR-based ROM Array

R1	R2	R3	R4	C1	C2	C3	C4
1	0	0	0	0	1	0	1
0	1	0	0	0	0	1	1
0	0	1	0	1	0	0	1
0	0	0	1	0	1	1	0



ROM EXAMPLE

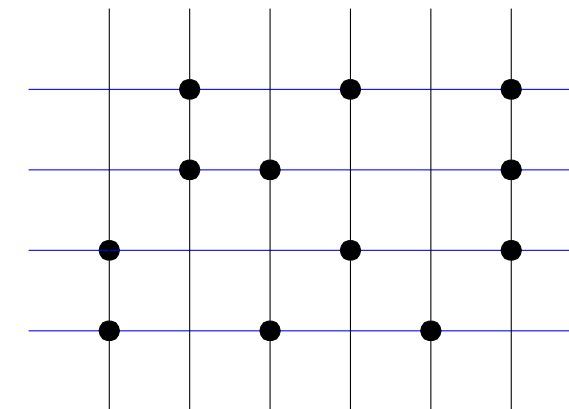
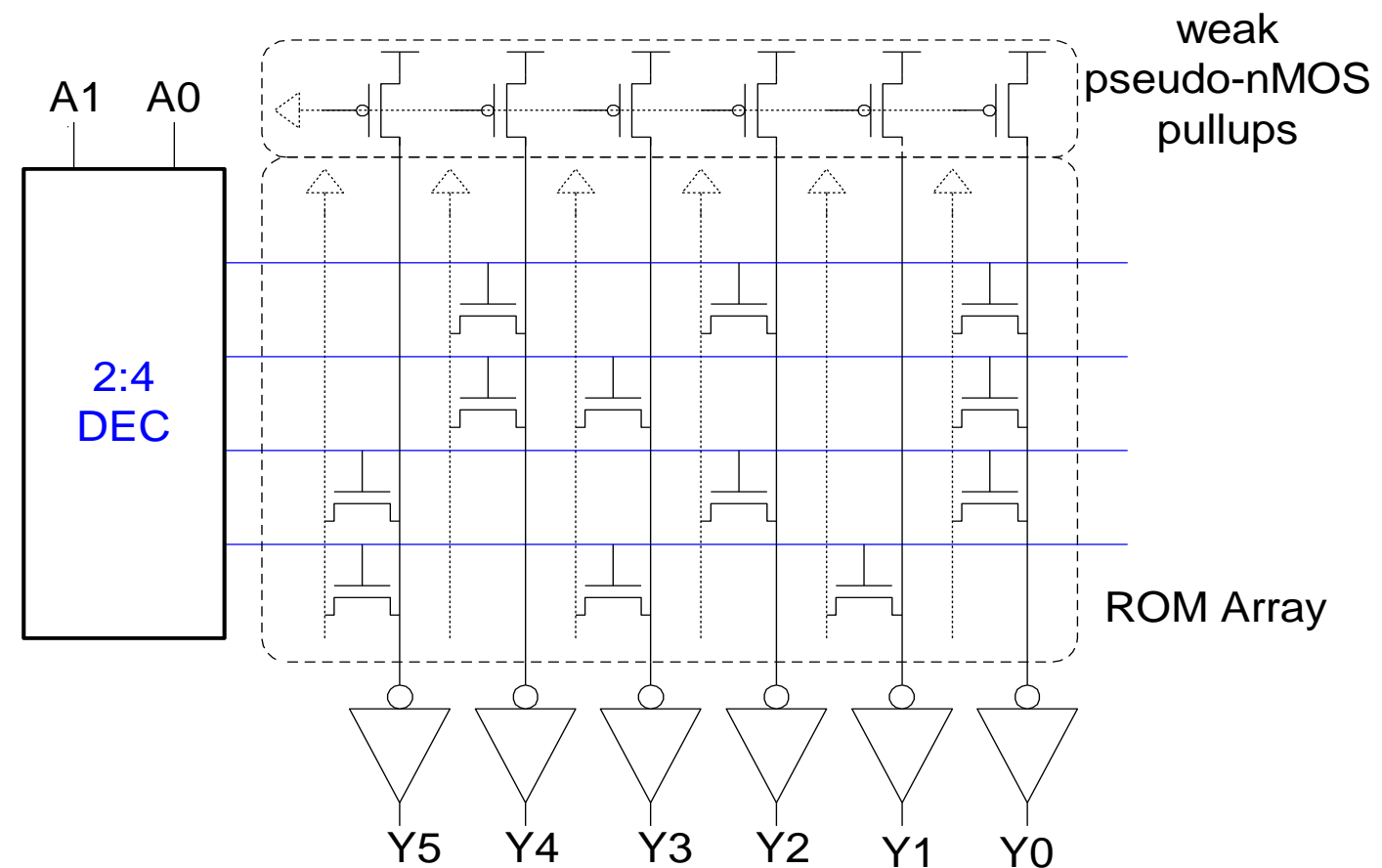
- 4-word x 6-bit ROM
 - Represented with dot diagram
 - Dots indicate 1's in ROM

Word 0: **010101**

Word 1: **011001**

Word 2: **100101**

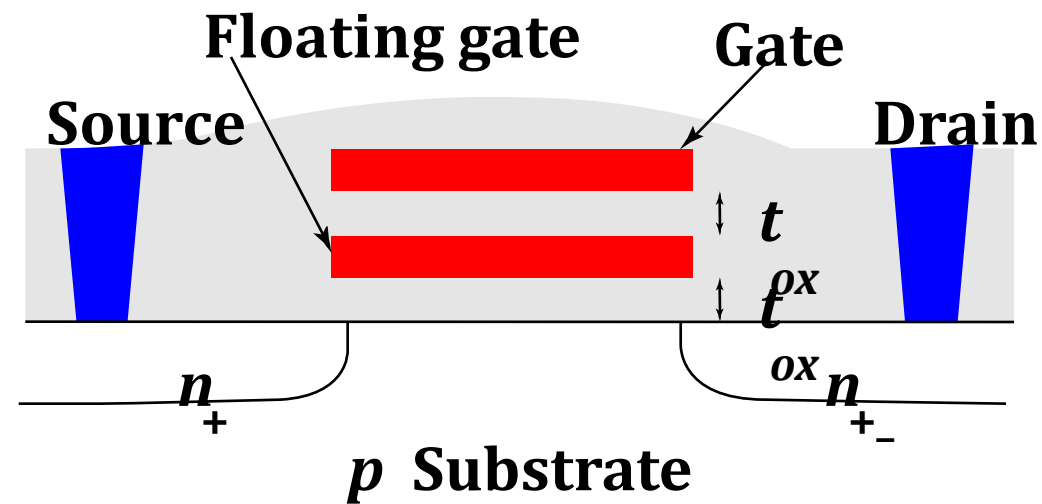
Word 3: **101010**



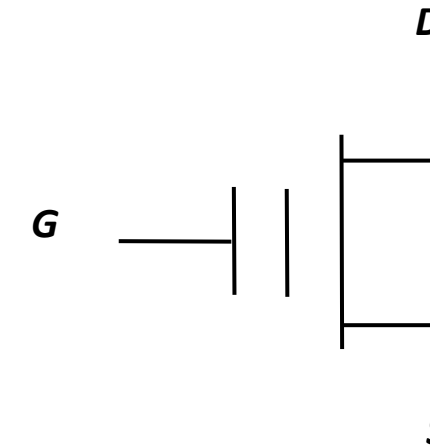


NON-VOLATILE MEMORIES

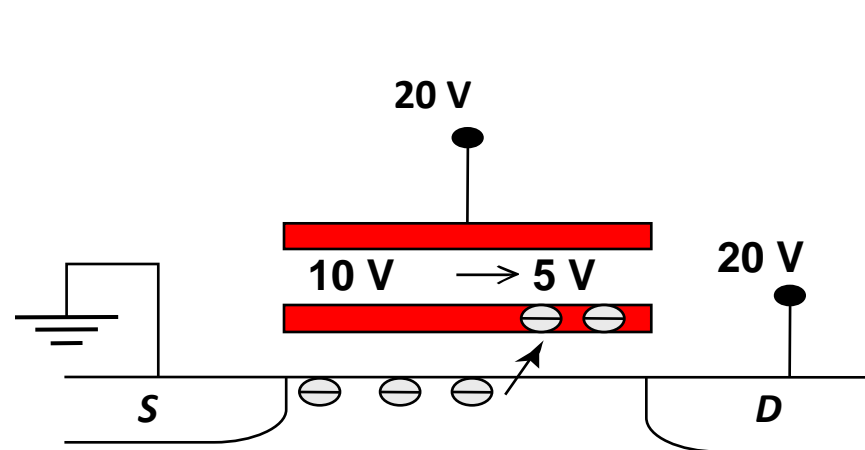
THE FLOATING-GATE TRANSISTOR (FAMOS)



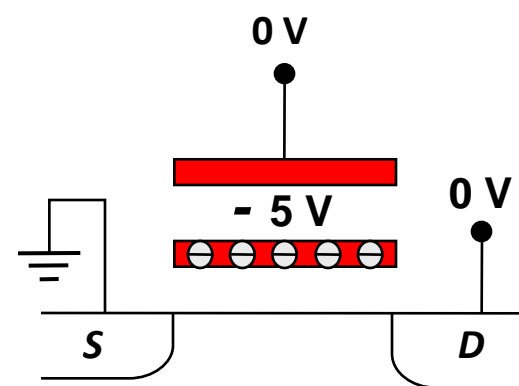
Device cross-section



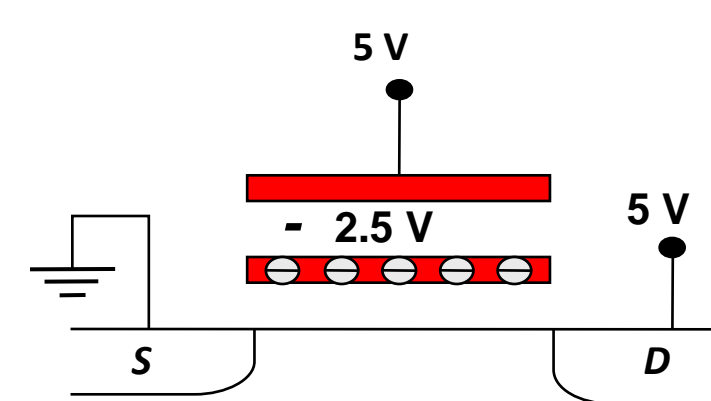
Schematic symbol



Avalanche injection



Removing programming voltage leaves charge trapped



Programming results in higher V_T



PERIPHERY



- Decoders
- Sense Amplifiers
- Input/Output Buffers
- Control / Timing Circuitry

Row Decoders

- Collection of 2^M complex logic gates
- Organized in regular and dense fashion

(N)AND Decoder

$$WL_0 = A_0 A_1 A_2 A_3 A_4 A_5 A_6 A_7 A_8 A_9$$

$$WL_{511} = \bar{A}_0 \bar{A}_1 \bar{A}_2 \bar{A}_3 \bar{A}_4 \bar{A}_5 \bar{A}_6 \bar{A}_7 \bar{A}_8 \bar{A}_9$$

NOR Decoder

$$WL_0 = \overline{A_0 + A_1 + A_2 + A_3 + A_4 + A_5 + A_6 + A_7 + A_8 + A_9}$$

$$WL_{511} = \overline{A_0 + \bar{A}_1 + \bar{A}_2 + \bar{A}_3 + \bar{A}_4 + \bar{A}_5 + \bar{A}_6 + \bar{A}_7 + \bar{A}_8 + \bar{A}_9}$$

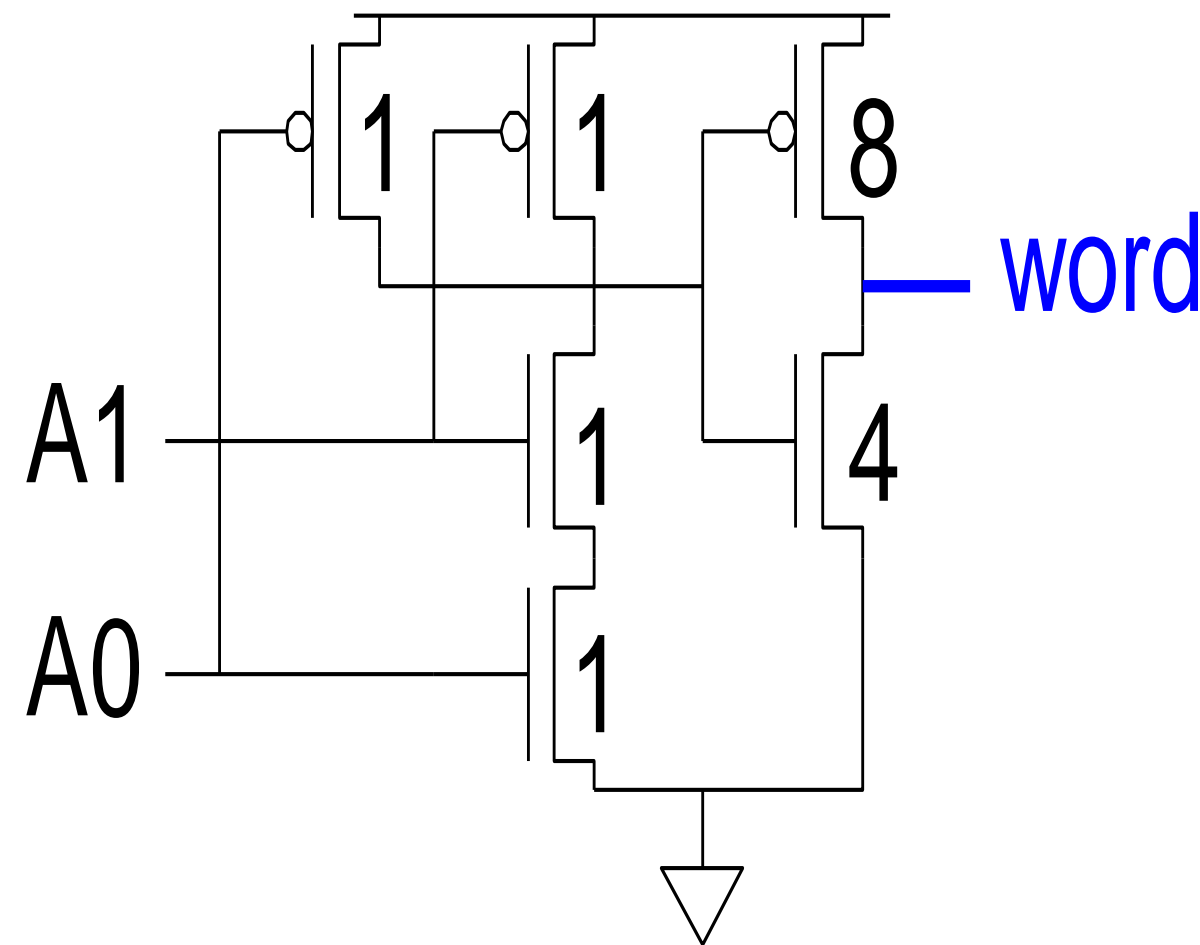
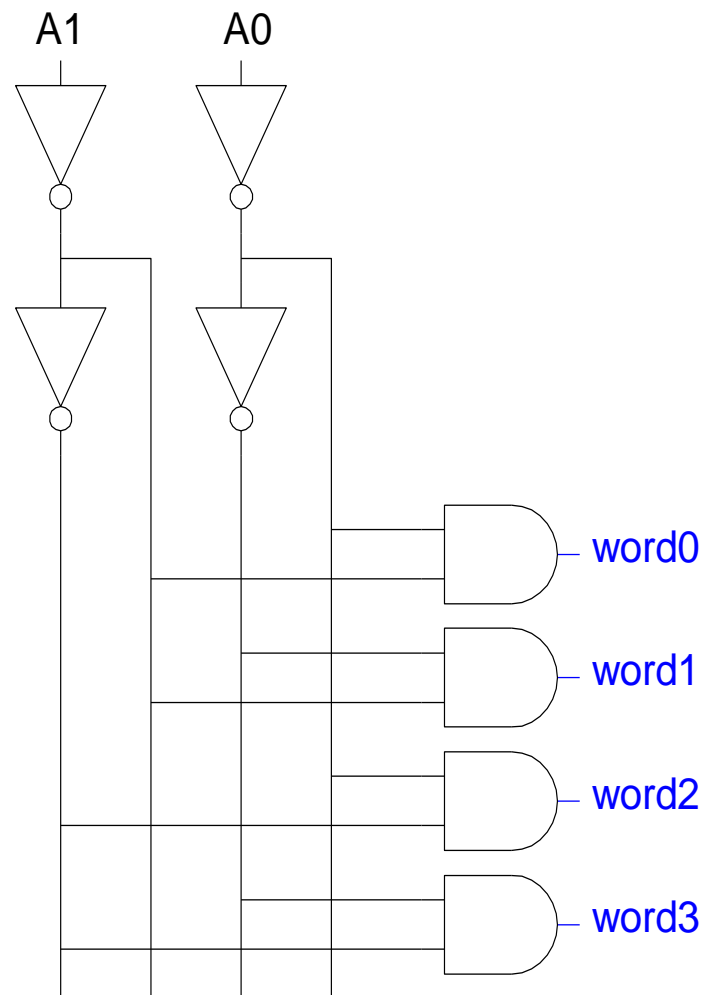


DECODERS

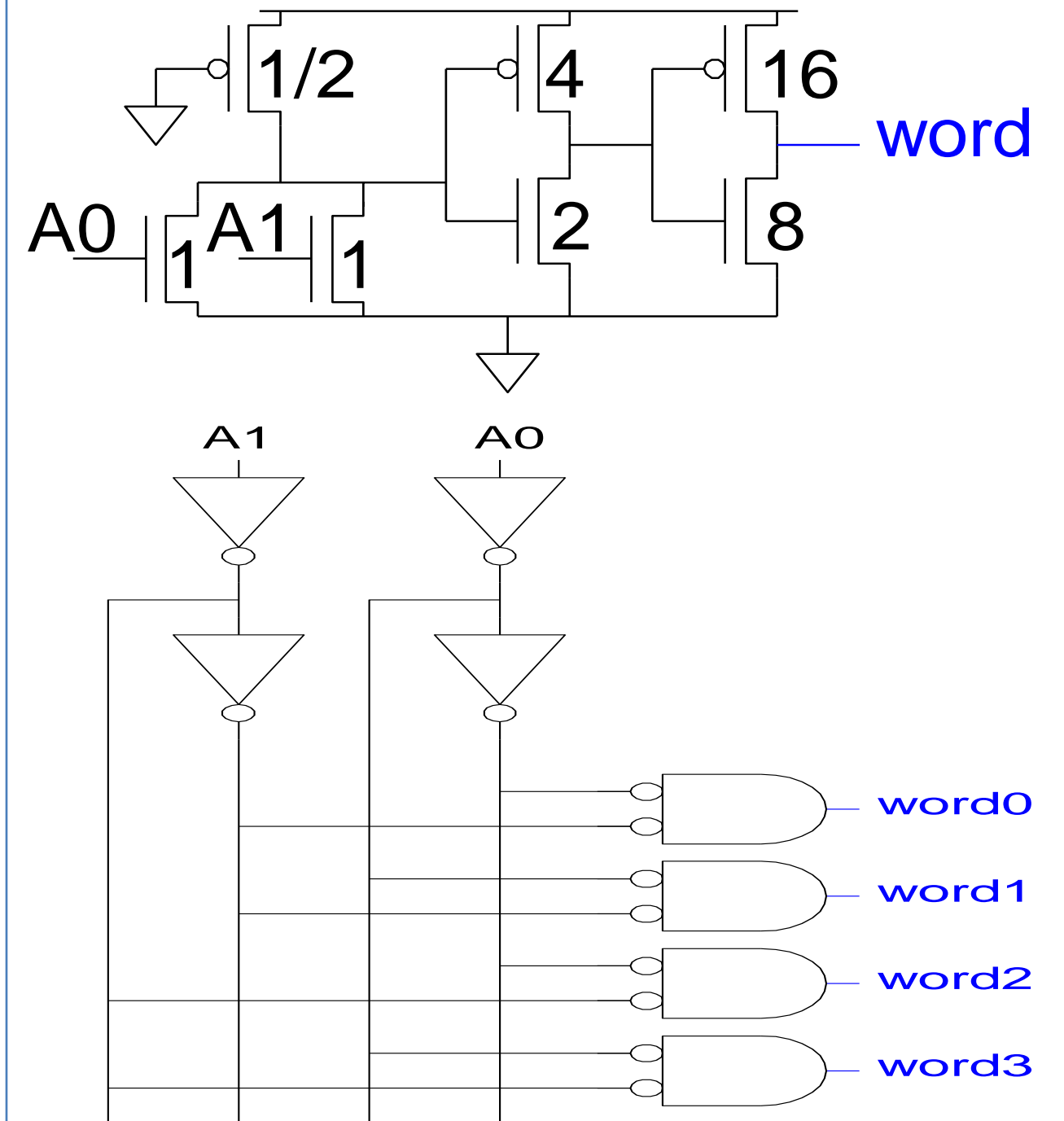


- $n:2^n$ decoder consists of 2^n n-input AND gates
 - One needed for each row of memory
 - Build AND from NAND or NOR gates

Static CMOS



Pseudo-nMOS

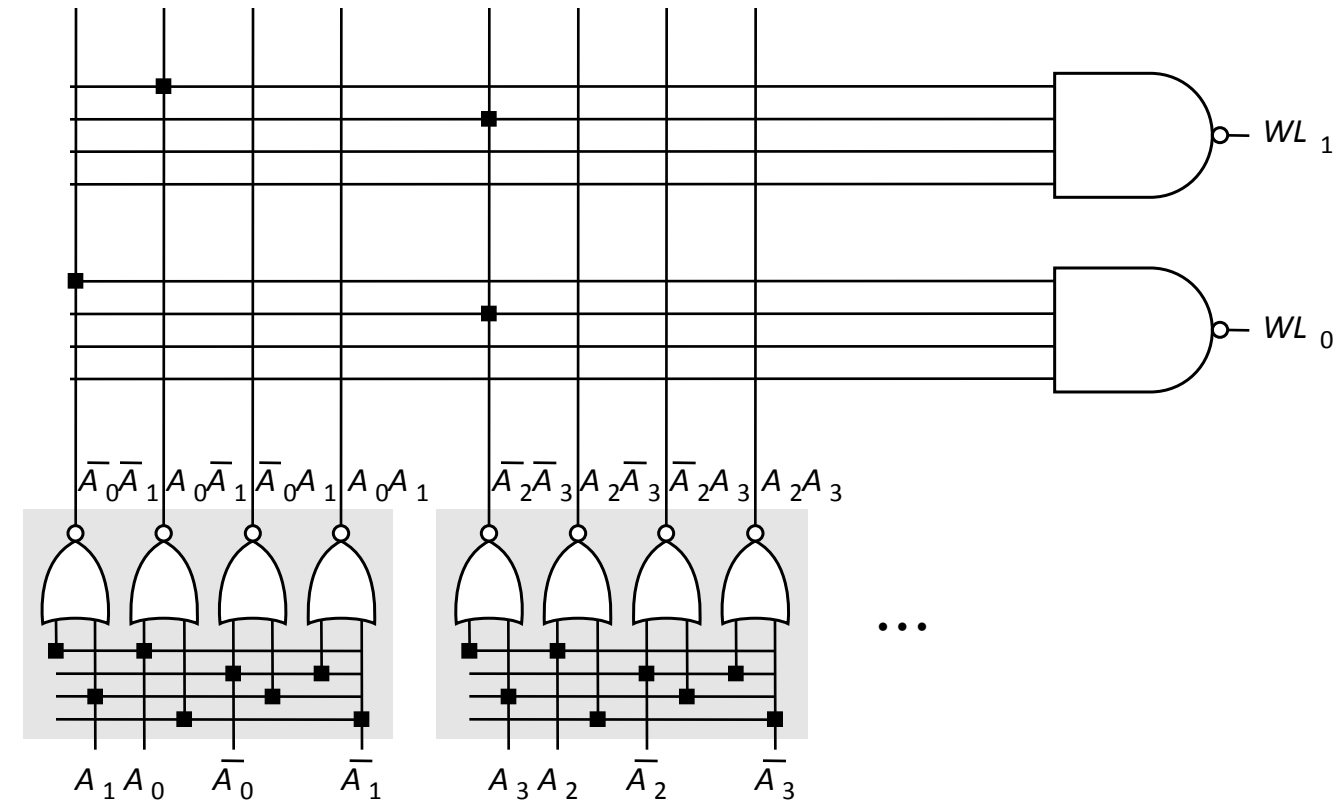




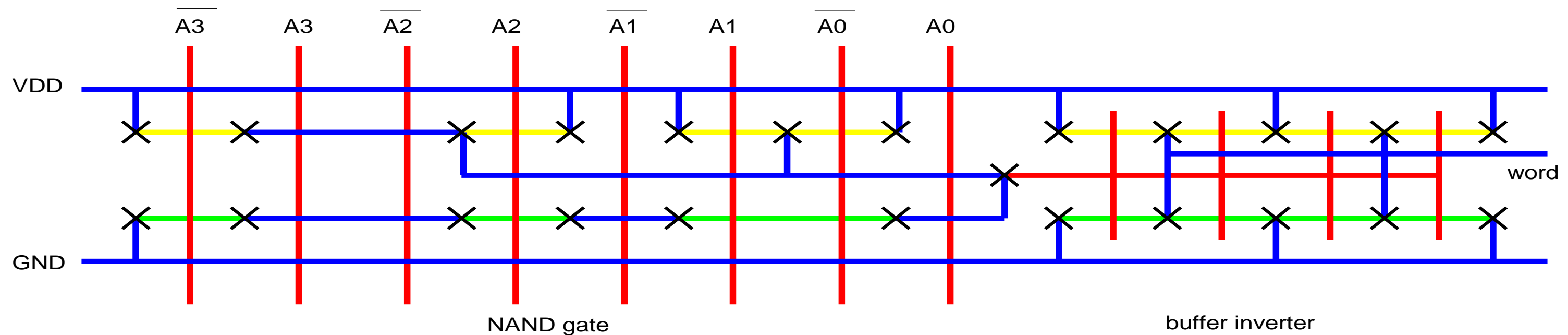
DECODER LAYOUT & HIERARCHICAL DECODERS



NAND decoder using 2-input pre-decoders



- Decoders must be pitch-matched to SRAM cell
Requires very skinny gates





SENSE AMPLIFIERS

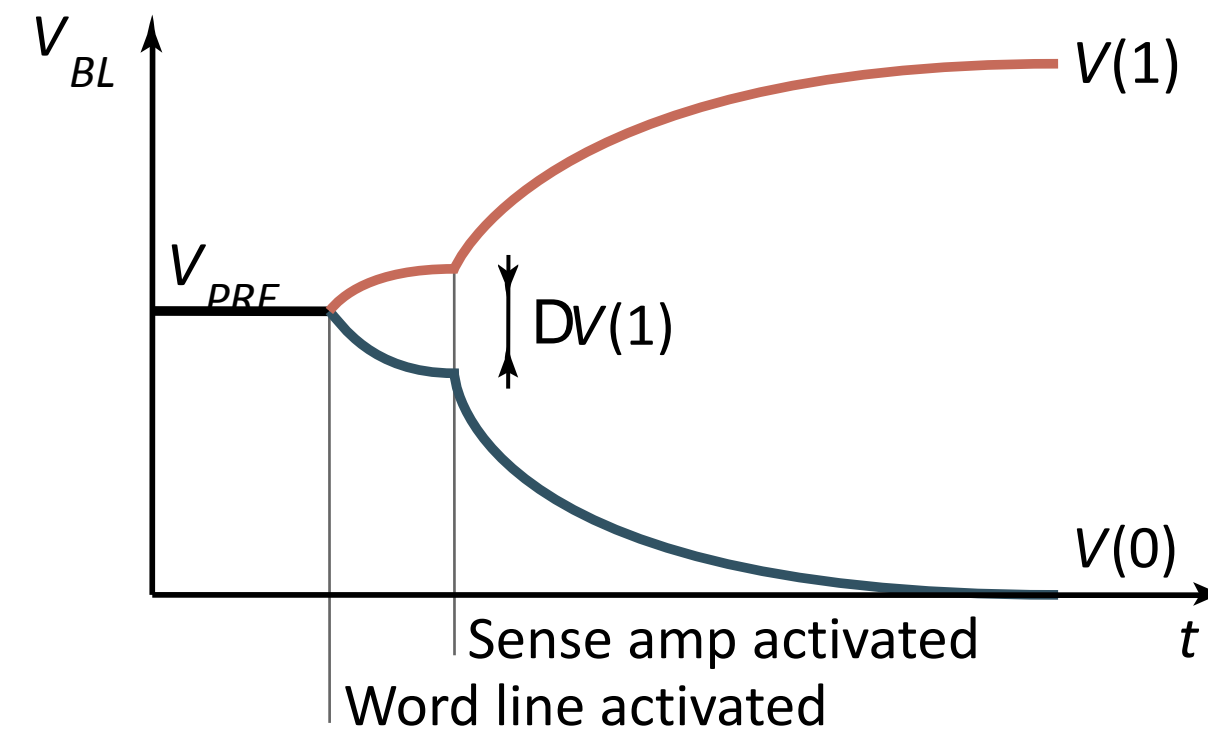
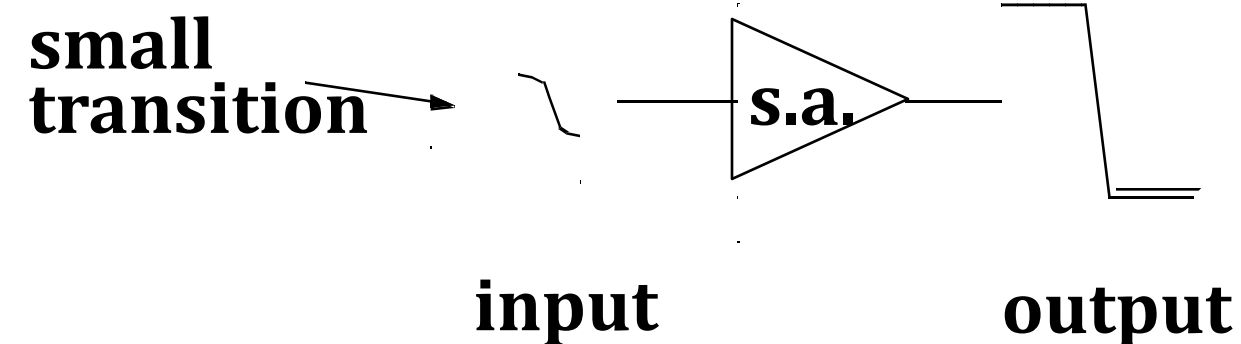


- Bitlines have many cells attached
 - Ex: 32-kbit SRAM has 256 rows x 128 cols
 - 128 cells on each bitline
- $t_{pd} \propto (C/I) DV$
 - Even with shared diffusion contacts, 64C of diffusion capacitance (big C)
 - Discharged slowly through small transistors (small I)
- Sense amplifiers are triggered on small voltage swing (reduce DV)

$$t_p = \frac{C \times \Delta V}{I_{av}}$$

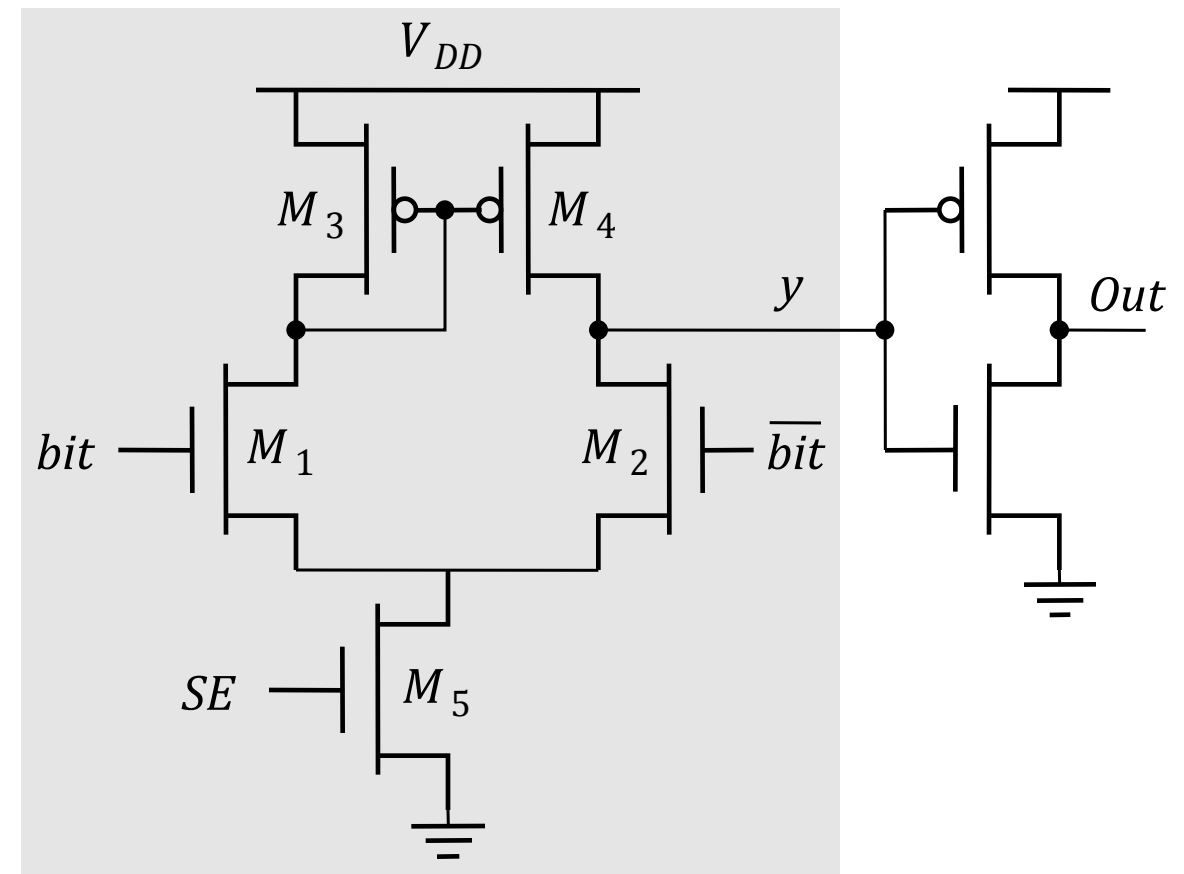
make ΔV as small as possible

large (pointing to t_p) small (pointing to I_{av})





DIFFERENTIAL SENSE AMPLIFIER



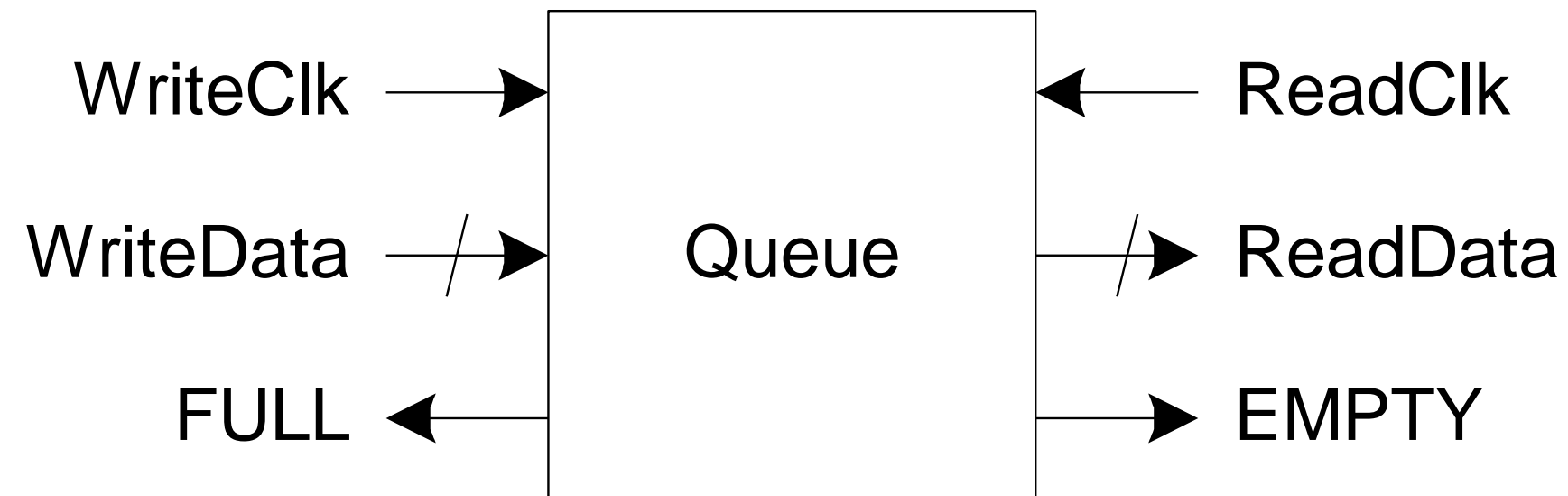
Directly applicable to SRAMs



QUEUES



- Queues allow data to be read and written at different rates.
- Read and write each use their own clock, data
- Queue indicates whether it is full or empty
- Build with SRAM and read/write counters (pointers)





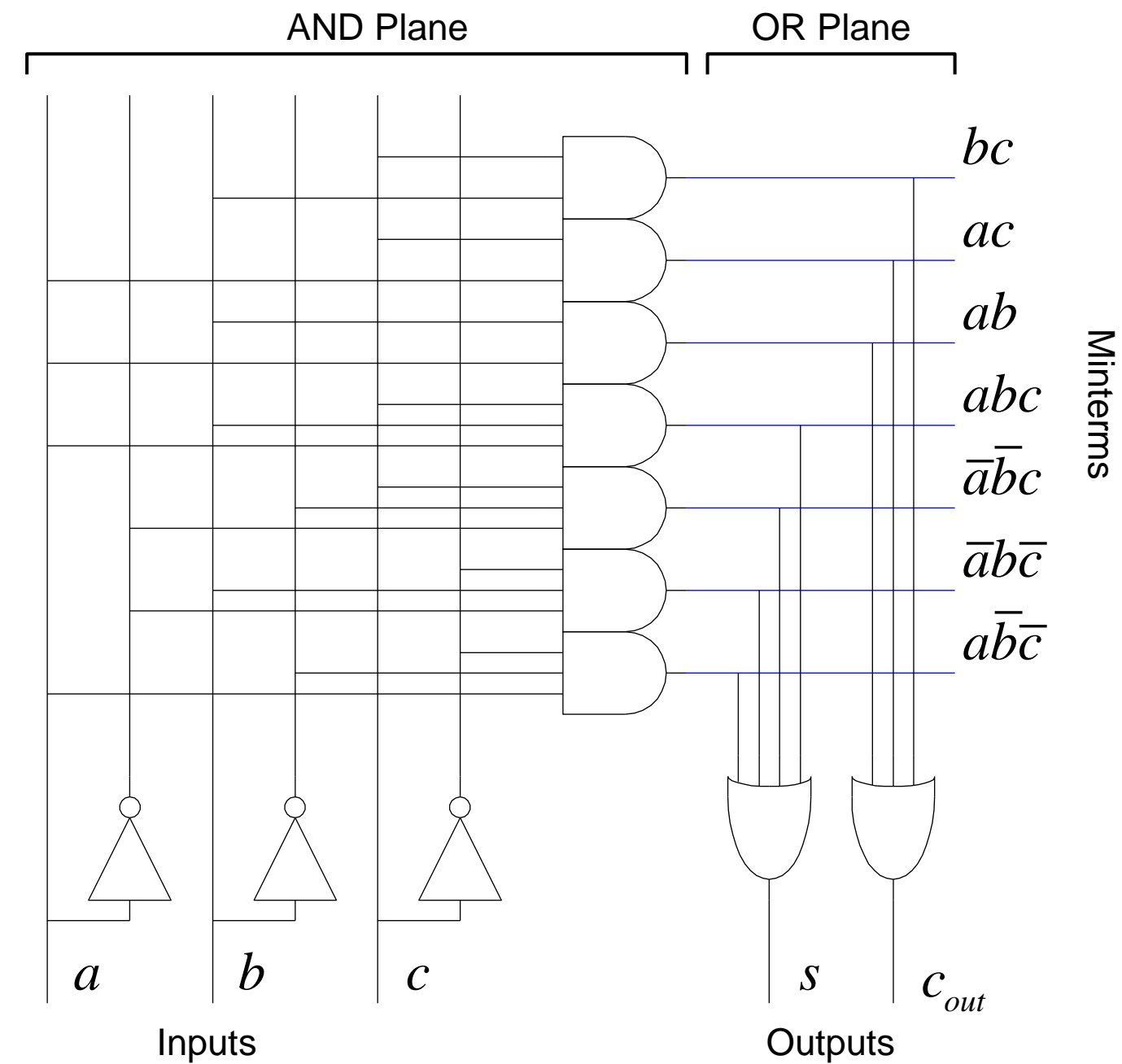
PLAs



- A Programmable Logic Array performs any function in sum-of-products form.
- Literals: inputs & complements
- Products / Minterms: AND of literals
- Outputs: OR of Minterms
- Example: Full Adder

$$s = a\bar{b}\bar{c} + \bar{a}b\bar{c} + \bar{a}\bar{b}c + abc$$

$$c_{out} = ab + bc + ac$$





ASSESSMENTS



1. List out the memory classification
2. Compare ROM VS RAM
3. Differentiate DRAM VS SRAM
4. Draw the 6T SRAM CELL
5. Draw the Static CAM Memory Cell
6. Compare NAND-based & NOR based ROM Array
7. Write short notes on SENSE AMPLIFIERS
8. Draw the PLAs logic diagram.



SUMMARY & THANK YOU