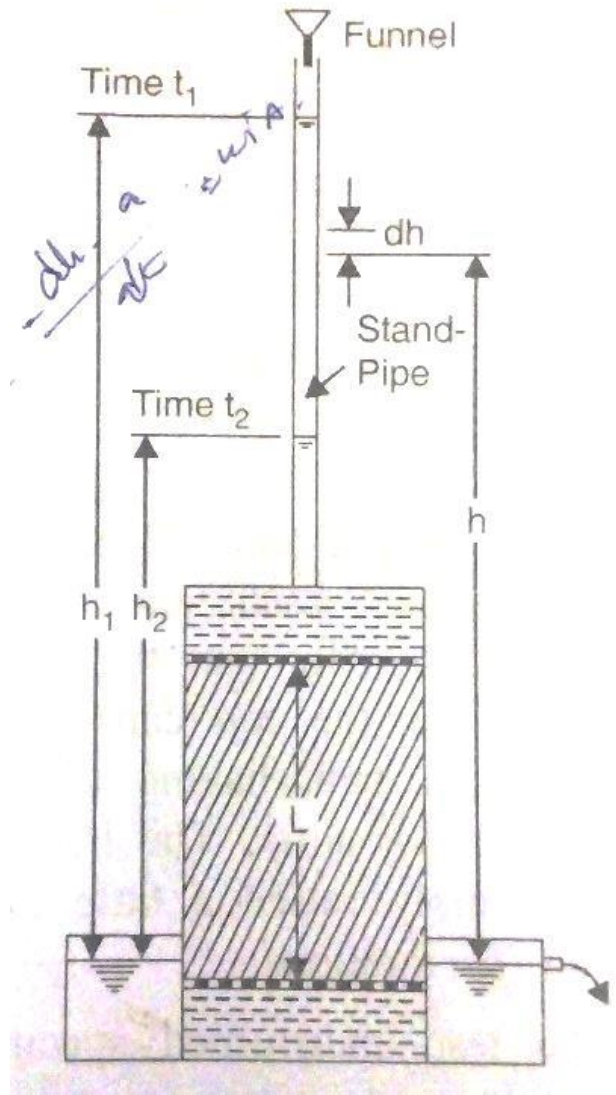
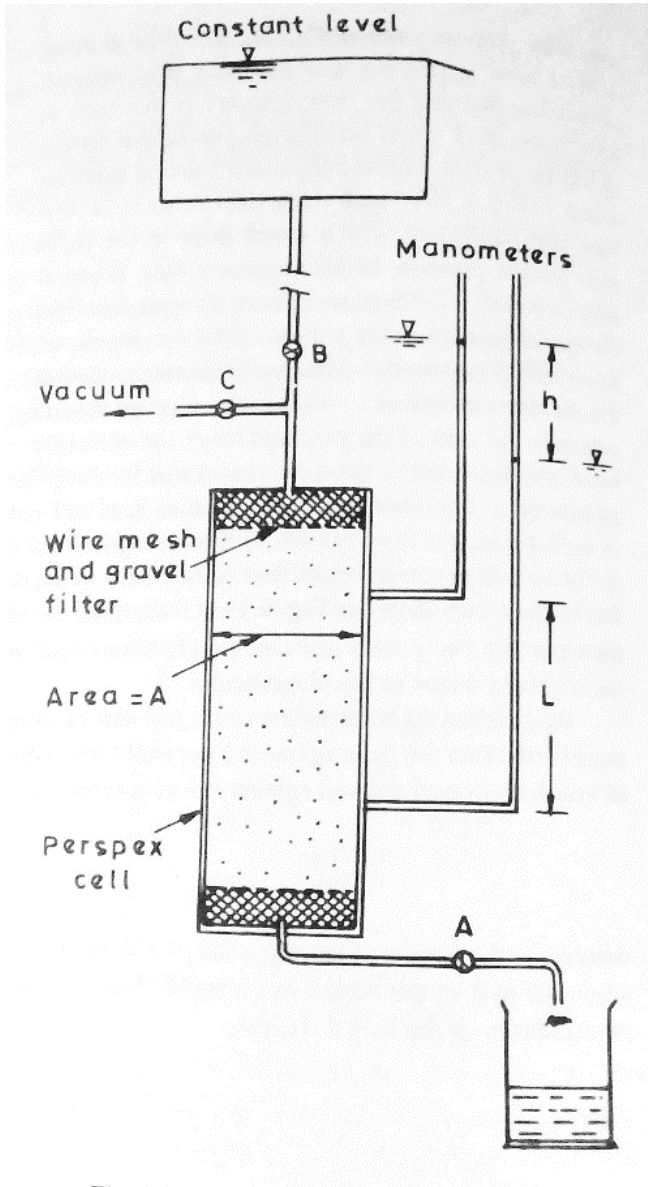


DEPARTMENT OF CIVIL ENGINEERING
19CEB301 – SOIL MECHANICS
UNIT II – SOIL WATER & WATER FLOW

DETERMINATION OF COEFFICIENT OF PERMEABILITY

Find out constant head method and falling head method from the picture and differentiate the two



methods