



# SNS COLLEGE OF ENGINEERING

Kurumbapalayam (Po), Coimbatore – 641 107

**An Autonomous Institution**

Accredited by NBA – AICTE and Accredited by NAAC – UGC with 'A' Grade  
Approved by AICTE, New Delhi & Affiliated to Anna University, Chennai

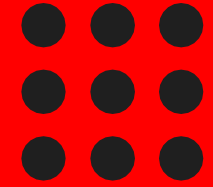
**DEPARTMENT OF ELECTRICAL AND ELECTRONICS ENGINEERING**

**COURSE NAME : 19EE101-BASIC ELECTRICAL & ELECTRONICS ENGINEERING**

I YEAR /I SEMESTER

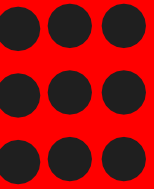
Unit 5: Linear and Digital Electronics

Topic : Inverting and Non Inverting Amplifier





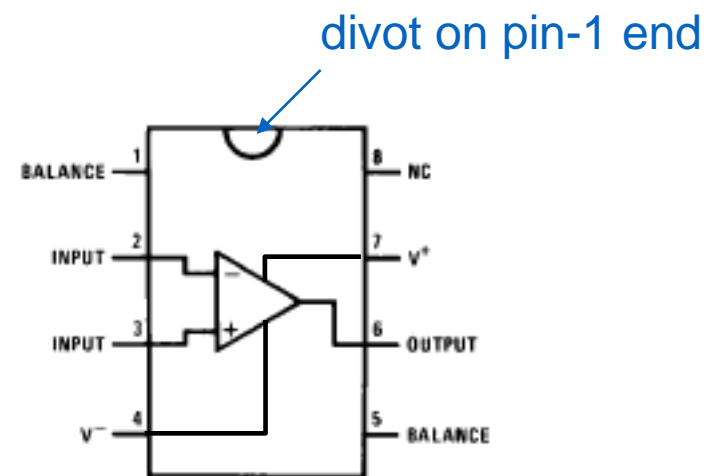
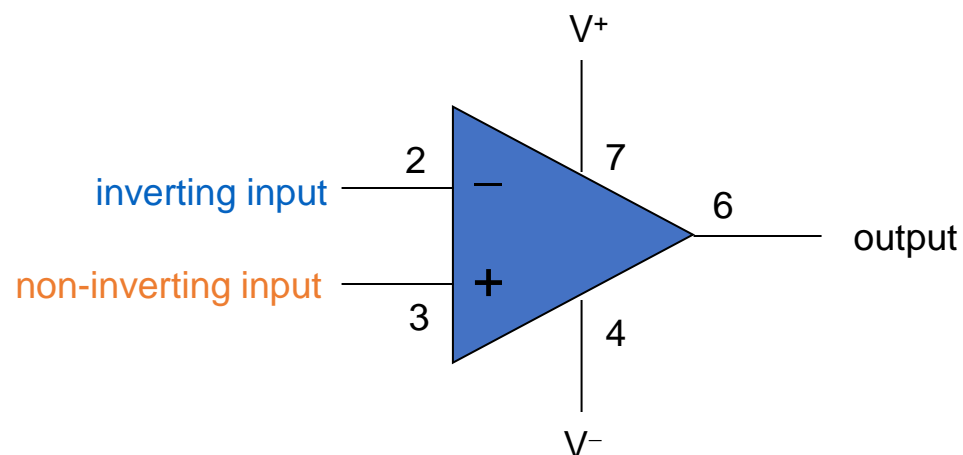
# GRADUATE ATTRIBUTES





# REVIEW OF OPERATIONAL AMPLIFIER

- Op-amps (amplifiers/buffers in general) are drawn as a triangle in a circuit schematic
- There are two inputs
  - **inverting** and **non-inverting**
- And one output
- Also power connections (note no explicit ground)



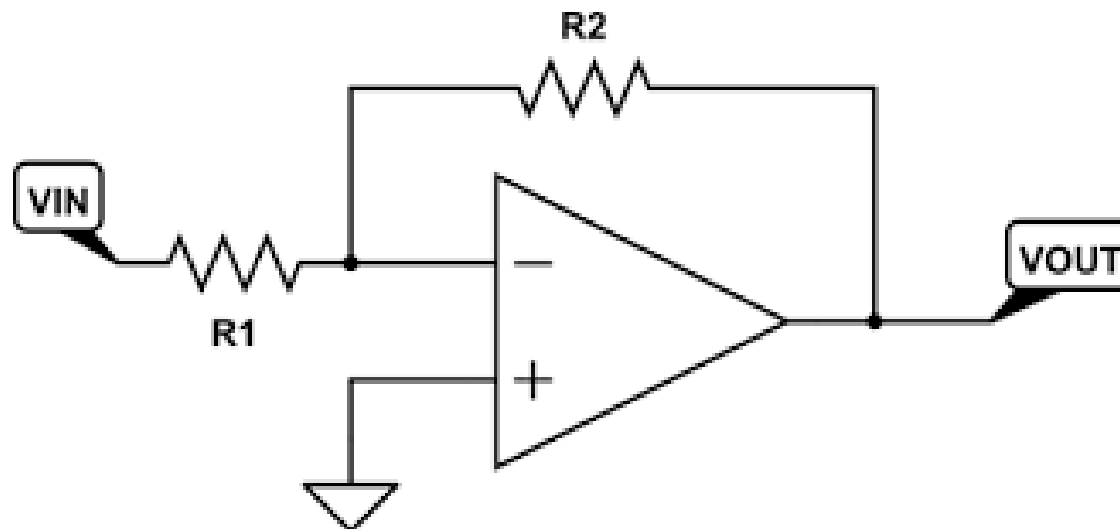


# GOLDEN RULES OF OP-AMP

When an op-amp is configured in *any* negative-feedback arrangement, it will obey the following two rules:

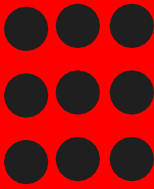
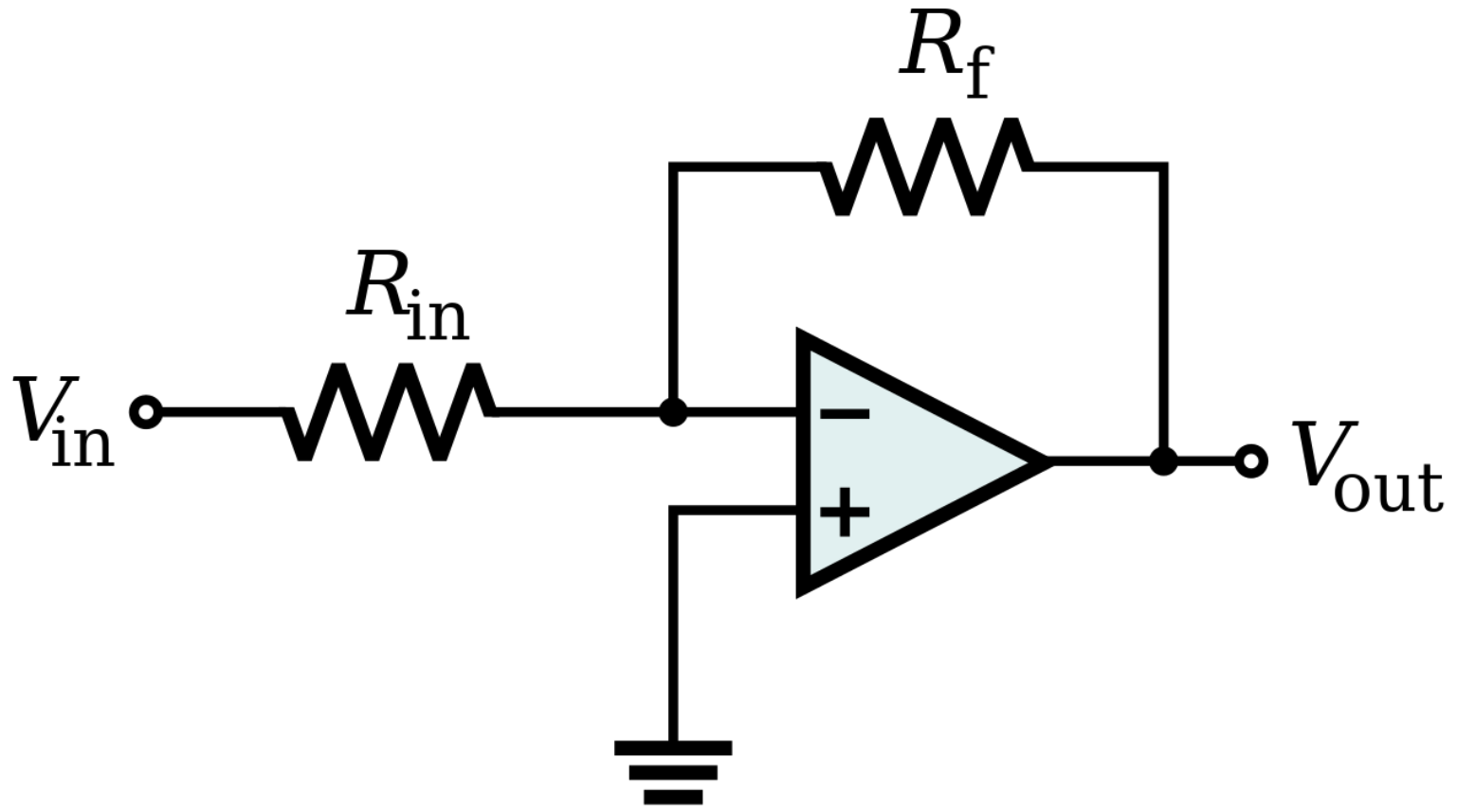
The inputs to the op-amp draw or source no current (true whether negative feedback or not)

The op-amp output will do whatever it can (within its limitations) to make the voltage difference between the two inputs zero



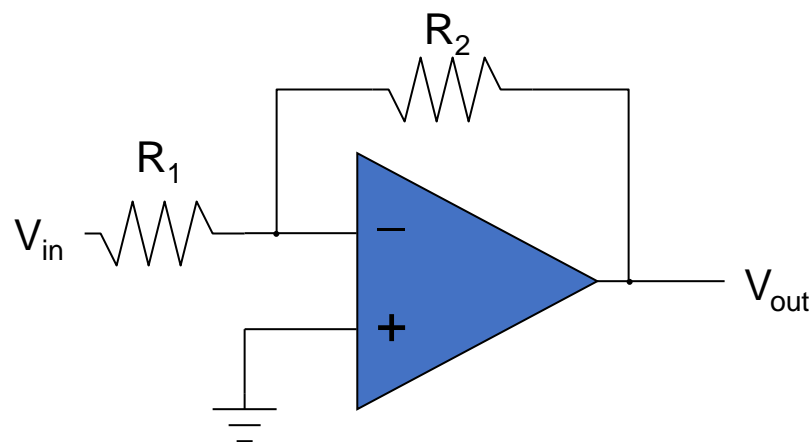


# INVERTING AMPLIFIER





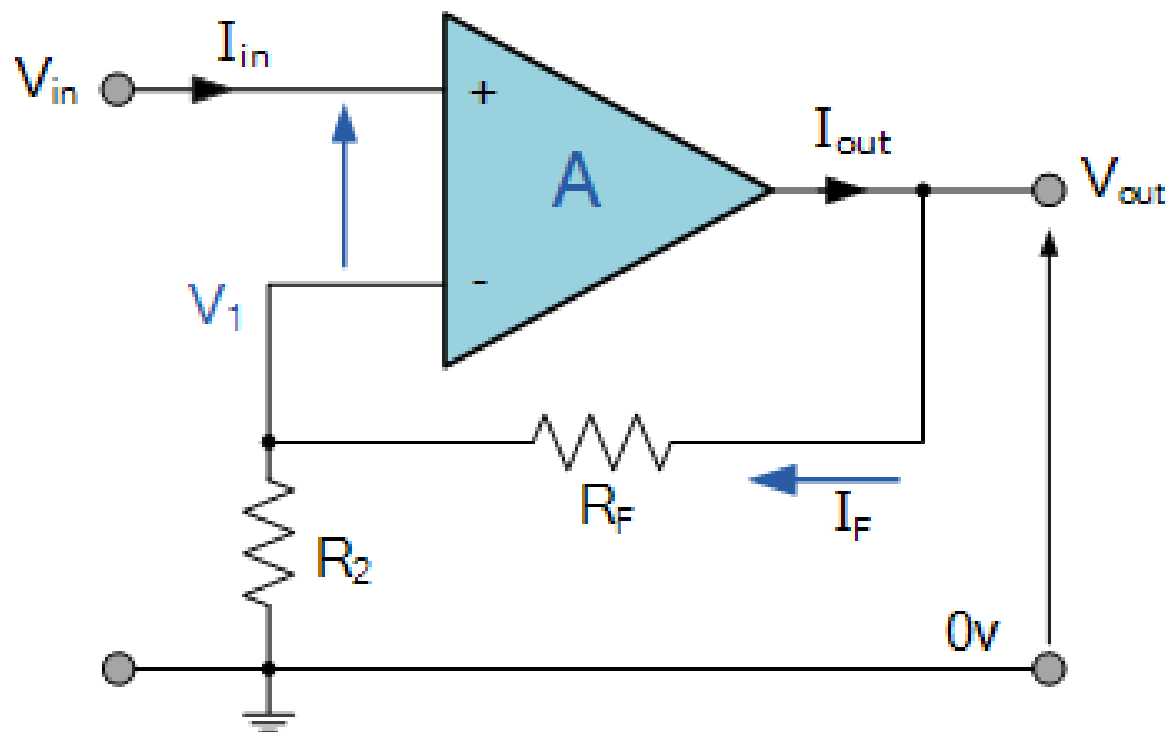
# OPERATIONAL AMPLIFIER



- Applying the rules: – terminal at “virtual ground” so current through  $R_1$  is  $I_f = V_{in}/R_1$
- Current does not flow into op-amp (one of our rules)
  - so the current through  $R_1$  must go through  $R_2$
  - voltage drop across  $R_2$  is then  $I_f R_2 = V_{in} \times (R_2/R_1)$
- So  $V_{out} = 0 - V_{in} \times (R_2/R_1) = -V_{in} \times (R_2/R_1)$  Thus we amplify  $V_{in}$  by factor  $-R_2/R_1$ 
  - negative sign earns title “inverting” amplifier
- Current is *drawn into* op-amp output terminal

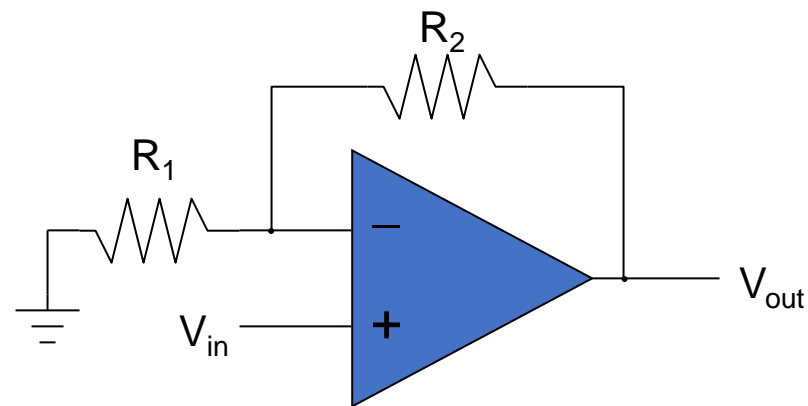


# NON INVERTING AMPLIFIER





# OPERATIONAL AMPLIFIER



- Now neg. terminal held at  $V_{in}$  . so current through  $R_1$  is  $I_f = V_{in}/R_1$  (to left, into ground)
- This current cannot come from op-amp input
  - so comes through  $R_2$  (delivered from op-amp output)
  - voltage drop across  $R_2$  is  $I_f R_2 = V_{in} \times (R_2/R_1)$
  - so that output is higher than neg. input terminal by  $V_{in} \times (R_2/R_1)$
  - $V_{out} = V_{in} + V_{in} \times (R_2/R_1) = V_{in} \times (1 + R_2/R_1)$
  - thus gain is  $(1 + R_2/R_1)$ , and is positive
- Current is sourced from op-amp output in this example





# REFERENCES

1. Muthusubramanian R, Salivahanan S, “Basic Electrical and Electronics Engineering”, Tata McGraw Hill Publishers, (2009) - UNIT I – V
2. Bhattacharya. S.K, “Basic Electrical and Electronics Engineering”, Pearson Education , (2017) – UNIT I – IV
3. Mehta V K, Mehta Rohit, “Principles of Electrical Engineering and Electronics”, S.Chand & Company Ltd, (2010)- UNIT I and II
4. Mehta V K, Mehta Rohit, “Principles of Electronics”, S.Chand & Company Ltd, (2005)- UNIT IV and V

## THANK YOU