



SNS COLLEGE OF ENGINEERING

Kurumbapalayam (Po), Coimbatore – 641 107

An Autonomous Institution

Accredited by NBA – AICTE and Accredited by NAAC – UGC with 'A' Grade
Approved by AICTE, New Delhi & Affiliated to Anna University, Chennai

DEPARTMENT OF ELECTRICAL AND ELECTRONICS ENGINEERING

COURSE NAME : 19EE101-BASIC ELECTRICAL & ELECTRONICS ENGINEERING

I YEAR /I SEMESTER

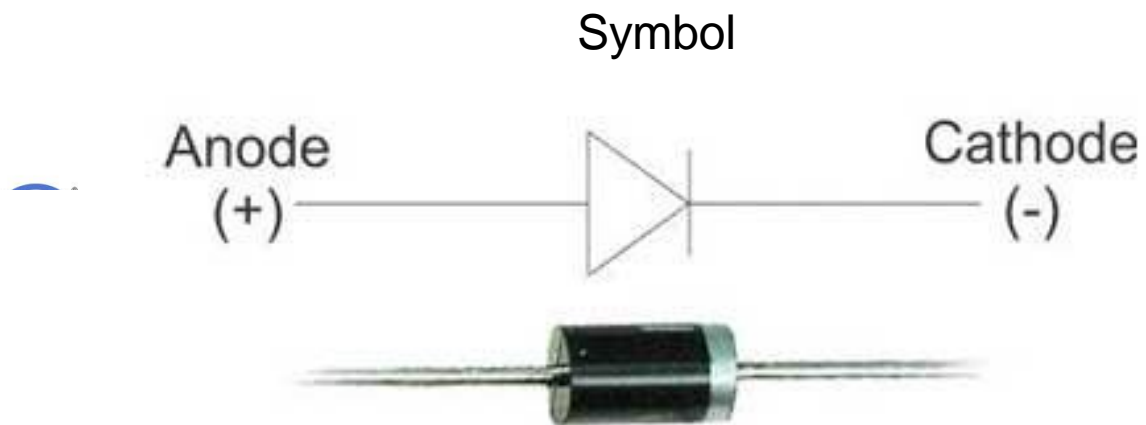
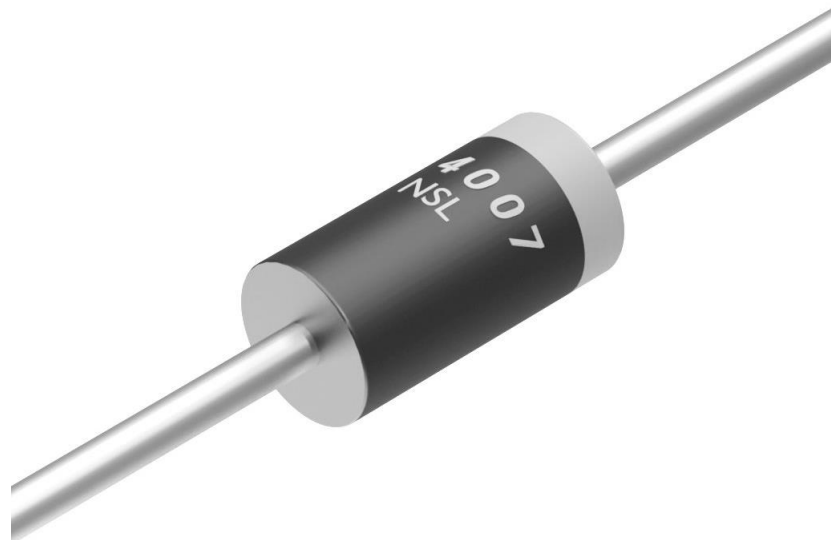
Unit 4: Analog Electronics

Topic : PN Junction Diode

PN JUNCTION DIODE /BEEE/MANI V/EEE/SNSCE

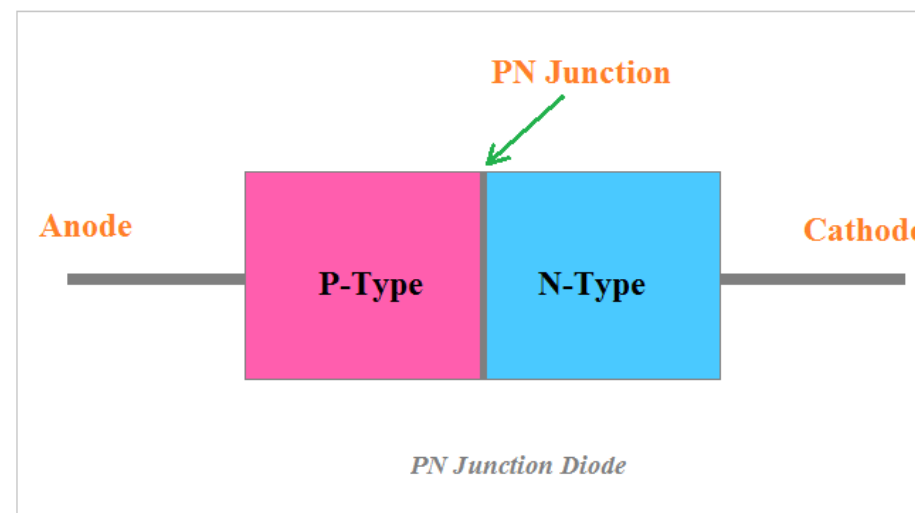
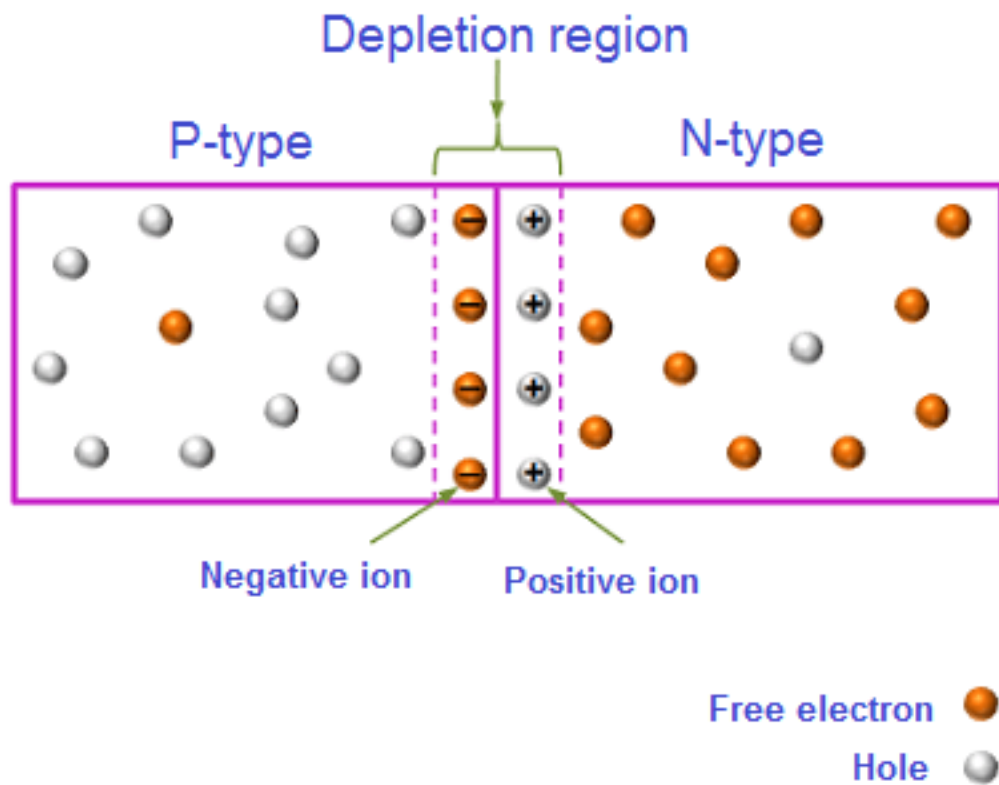


PN JUNCTION DIODE



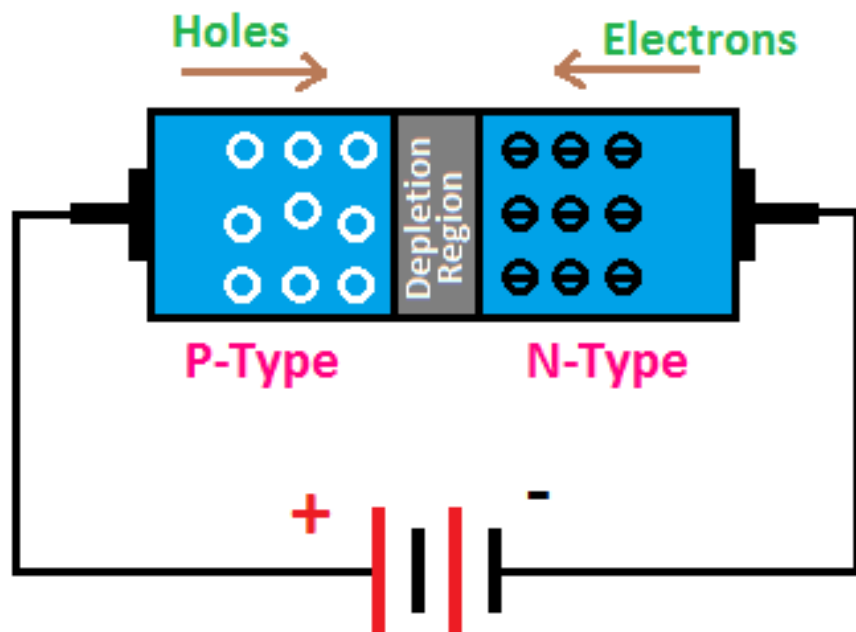


CONSTRUCTION OF PN JUNCTION DIODE

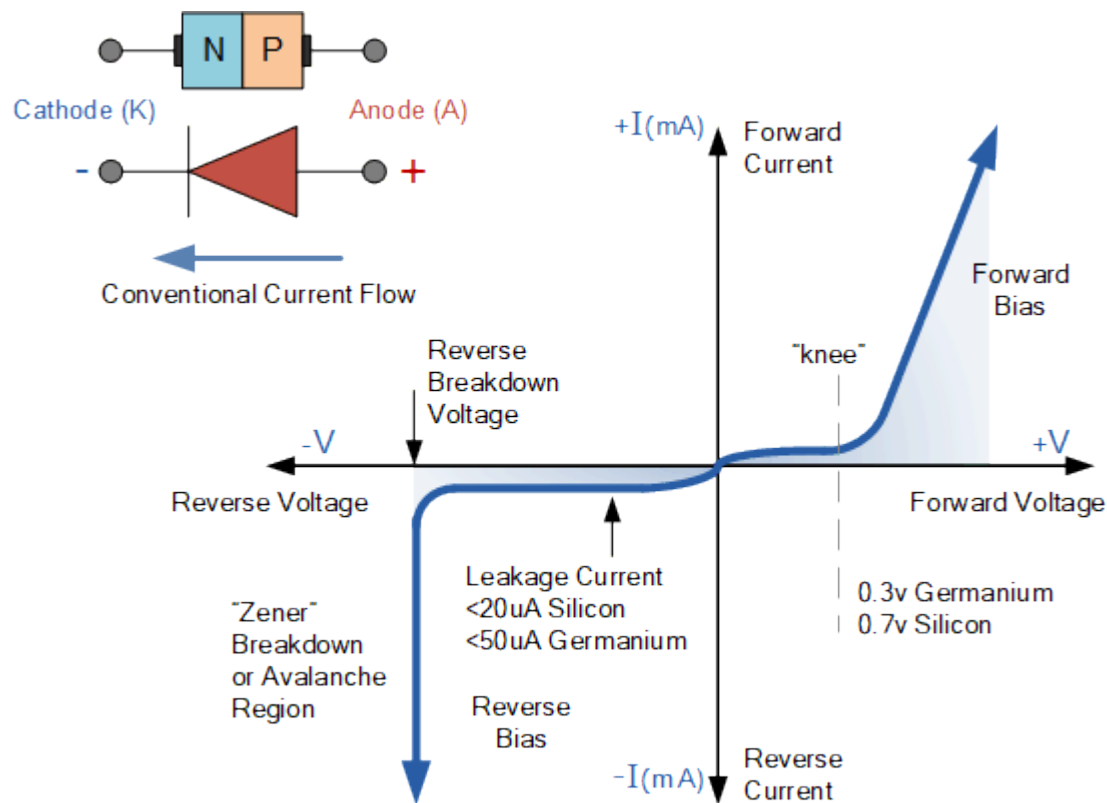




FORWARD BIASSING OF DIODE

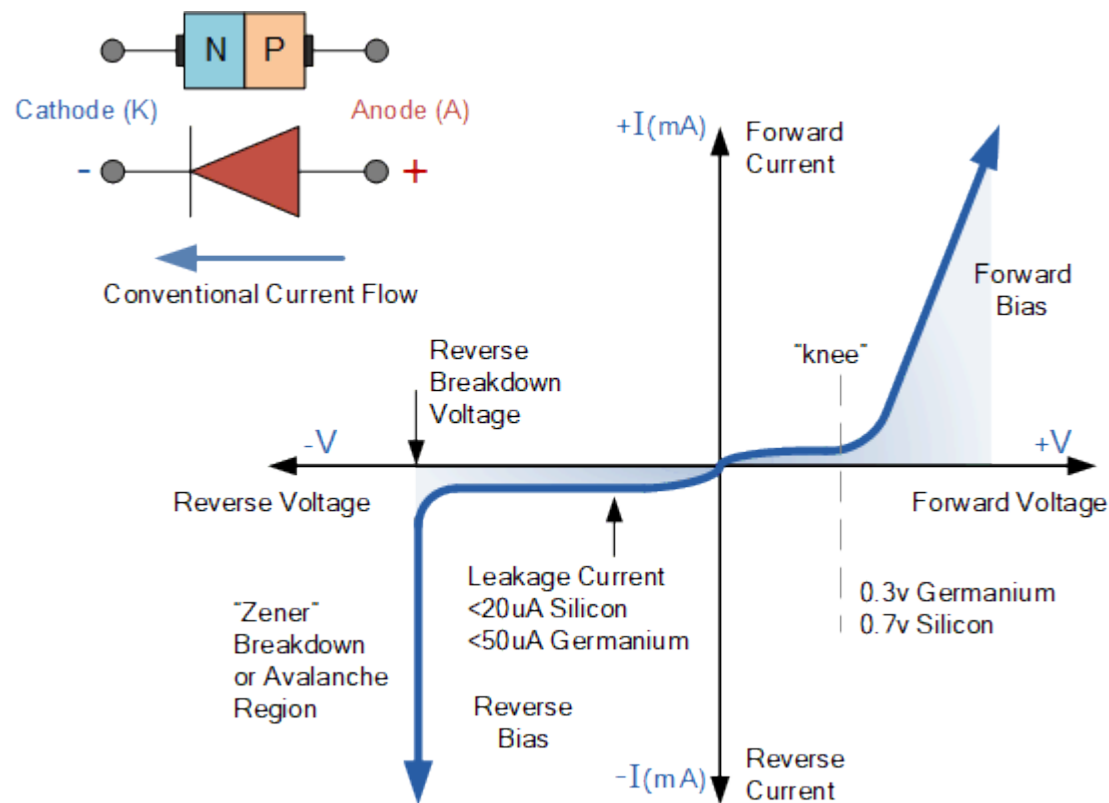
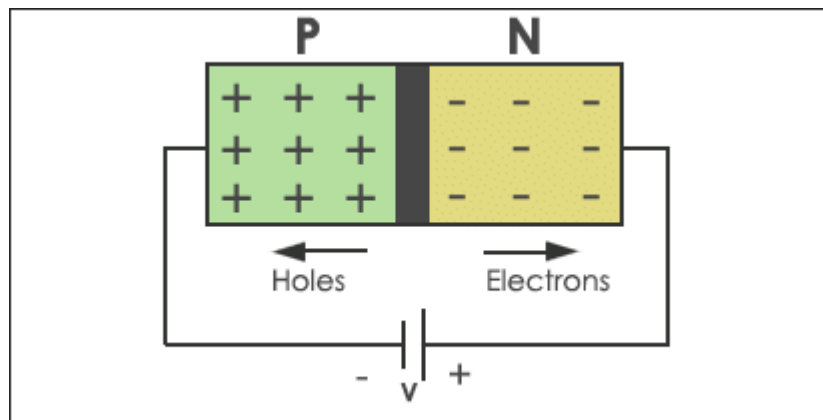


PN Junction Diode Forward Biasing



Forward Bias – The voltage potential is connected positive, (+ve) to the P-type material and negative, (-ve) to the N-type material

REVERSE BIASSING OF DIODE

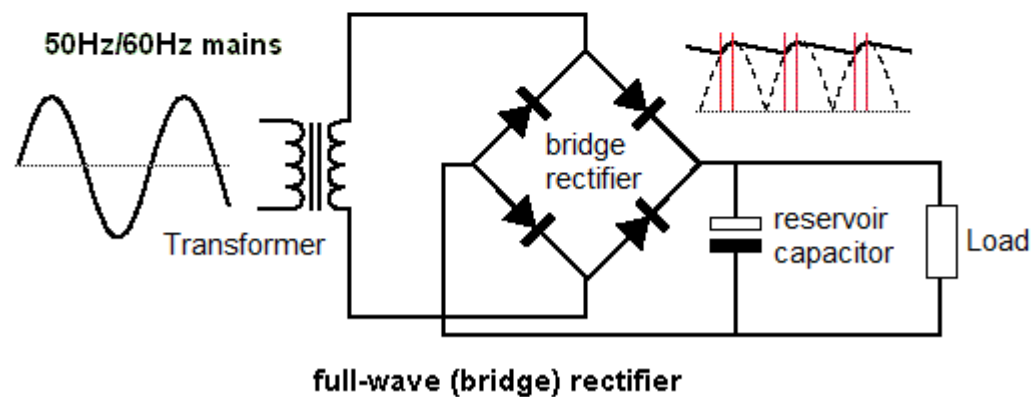
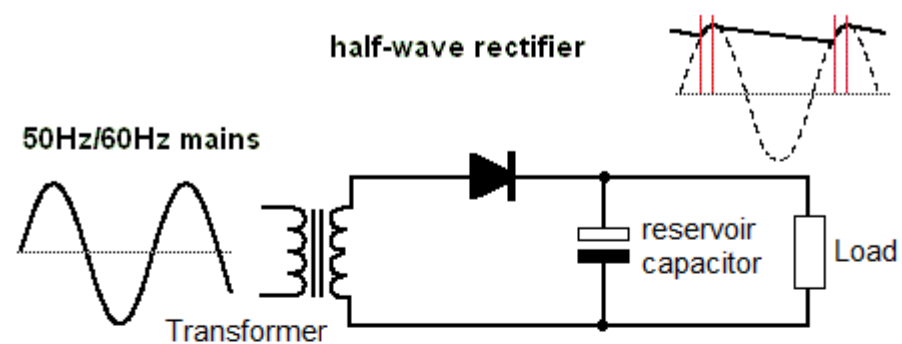
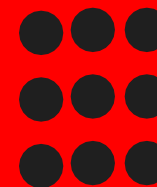


Reverse Bias – The voltage potential is connected negative, (-ve) to the P-type material and positive, ..





APPLICATIONS OF DIODE-RECTIFIER





REFERENCES

1. Muthusubramanian R, Salivahanan S, “Basic Electrical and Electronics Engineering”, Tata McGraw Hill Publishers, (2009) - UNIT I – V
2. Bhattacharya. S.K, “Basic Electrical and Electronics Engineering”, Pearson Education , (2017) – UNIT I – IV
3. Mehta V K, Mehta Rohit, “Principles of Electrical Engineering and Electronics”, S.Chand & Company Ltd, (2010)- UNIT I and II
4. Mehta V K, Mehta Rohit, “Principles of Electronics”, S.Chand & Company Ltd, (2005)- UNIT IV and V

THANK YOU