



# **SNS COLLEGE OF ENGINEERING**

Kurumbapalayam (Po), Coimbatore – 641 107

**An Autonomous Institution**

Accredited by NBA – AICTE and Accredited by NAAC – UGC with 'A' Grade  
Approved by AICTE, New Delhi & Affiliated to Anna University, Chennai

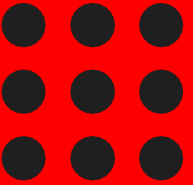
**DEPARTMENT OF ELECTRICAL AND ELECTRONICS ENGINEERING**

**COURSE NAME : 19EE101-BASIC ELECTRICAL & ELECTRONICS ENGINEERING**

I YEAR /I SEMESTER CSE & CST

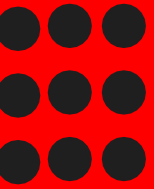
Unit 5: Linear and Digital Electronics

Topic : Introduction to Linear & Digital Electronics



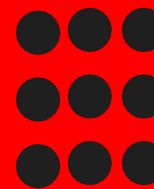


# GRADUATE ATTRIBUTES





# COMPUTERS Vs ELECTRONICS



How it works?





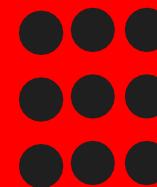
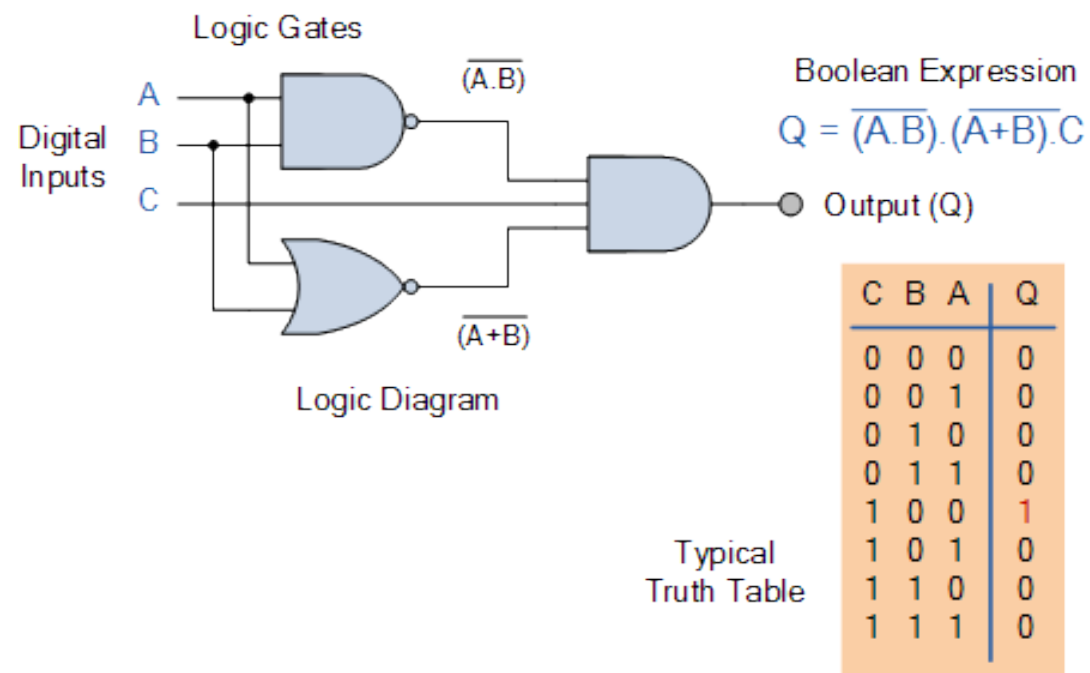
# COMPUTERS Vs ELECTRONICS

## Gate

A device that performs a basic operation on electrical signals

## Circuits

Gates combined to perform more complicated tasks





# BEHAVIOR OF GATES AND CIRCUITS

## Boolean expressions

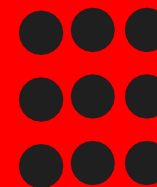
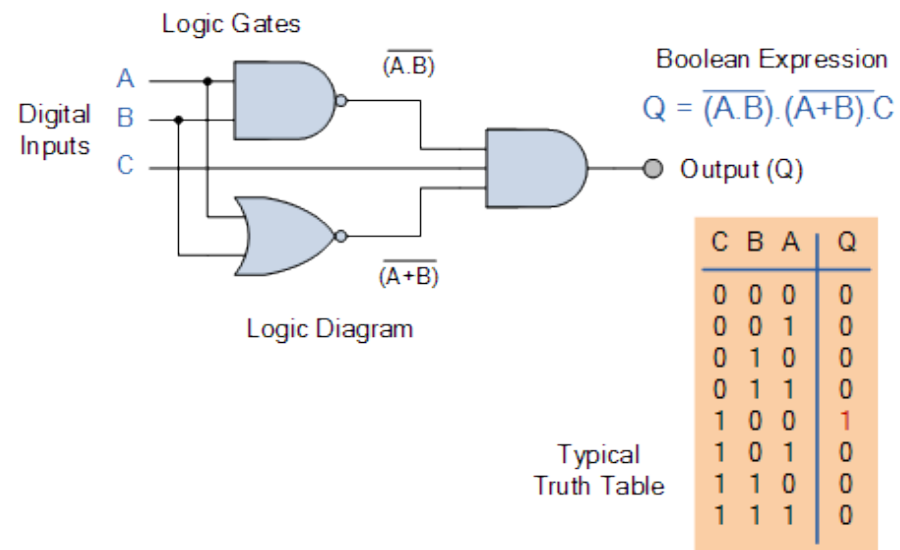
Uses Boolean algebra, a mathematical notation for expressing two-valued logic

## Logic diagrams

A graphical representation of a circuit; each gate has its own symbol

## Truth tables

A table showing all possible input value and the associated output values





# REFERENCES

1. Muthusubramanian R, Salivahanan S, “Basic Electrical and Electronics Engineering”, Tata McGraw Hill Publishers, (2009) - UNIT I – V
2. Bhattacharya. S.K, “Basic Electrical and Electronics Engineering”, Pearson Education , (2017) – UNIT I – IV
3. Mehta V K, Mehta Rohit, “Principles of Electrical Engineering and Electronics”, S.Chand & Company Ltd, (2010)- UNIT I and II
4. Mehta V K, Mehta Rohit, “Principles of Electronics”, S.Chand & Company Ltd, (2005)- UNIT IV and V

**THANK YOU**

