



SNS COLLEGE OF ENGINEERING

Kurumbapalayam (Po), Coimbatore – 641 107

An Autonomous Institution

Accredited by NBA – AICTE and Accredited by NAAC – UGC with 'A' Grade
Approved by AICTE, New Delhi & Affiliated to Anna University, Chennai

DEPARTMENT OF ELECTRICAL AND ELECTRONICS ENGINEERING

COURSE NAME : 19EE01 BASIC ELECTRICAL AND ELECTRONICS ENGINEERING

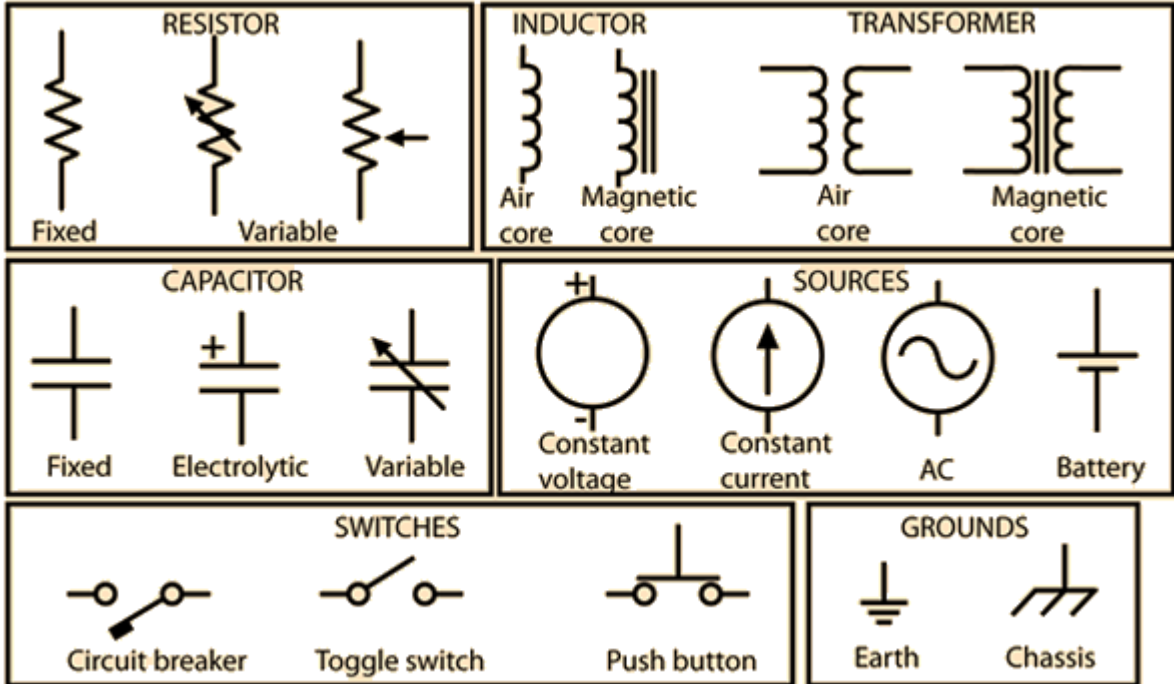
I YEAR /I SEMESTER MECHANICAL ENGINEERING

Unit 1 – Electrical Circuits and Measurements

Topic 1 : Introduction to Course

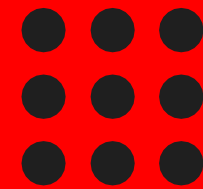


UNIT-1 : ELECTRICAL CIRCUITS & MEASUREMENTS



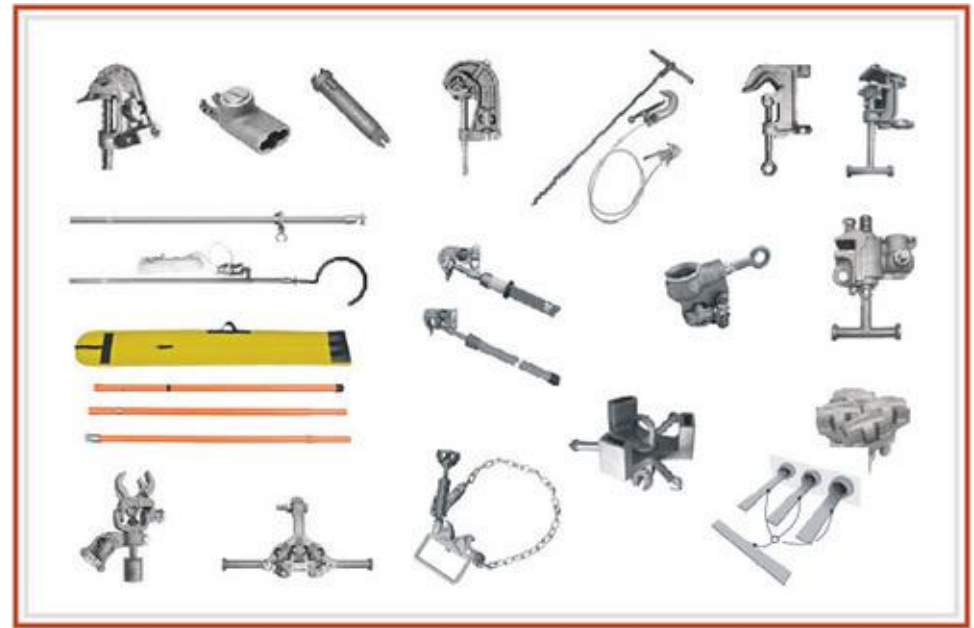
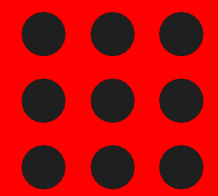


UNIT-II ELECTRICAL MACHINES



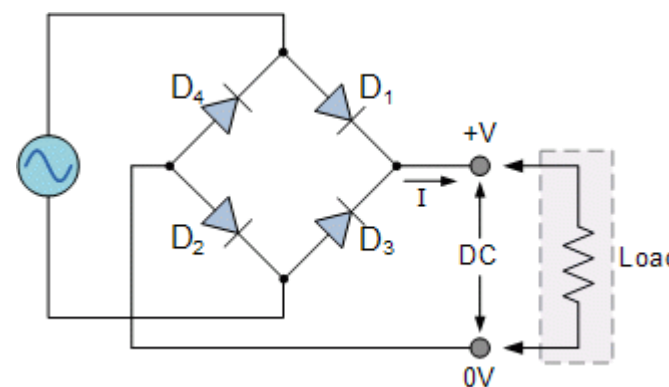
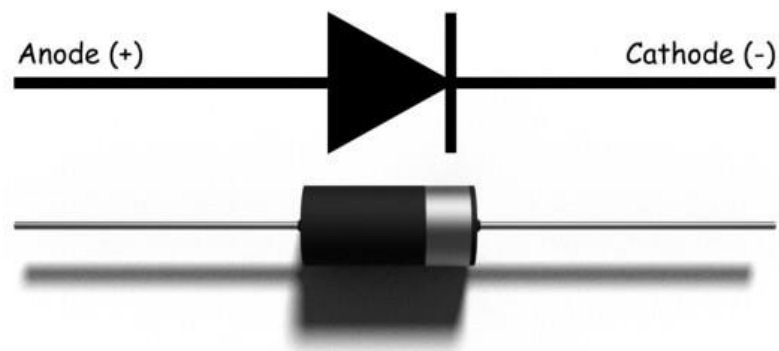
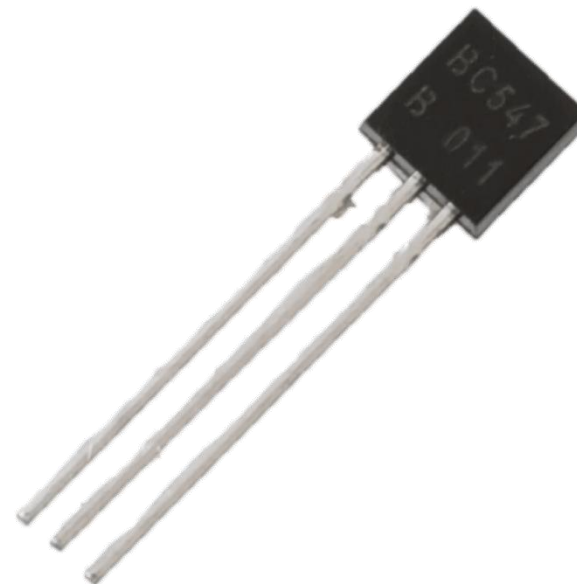
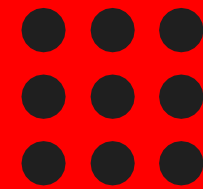


UNIT-III WIRING, GROUNDING AND SAFETY



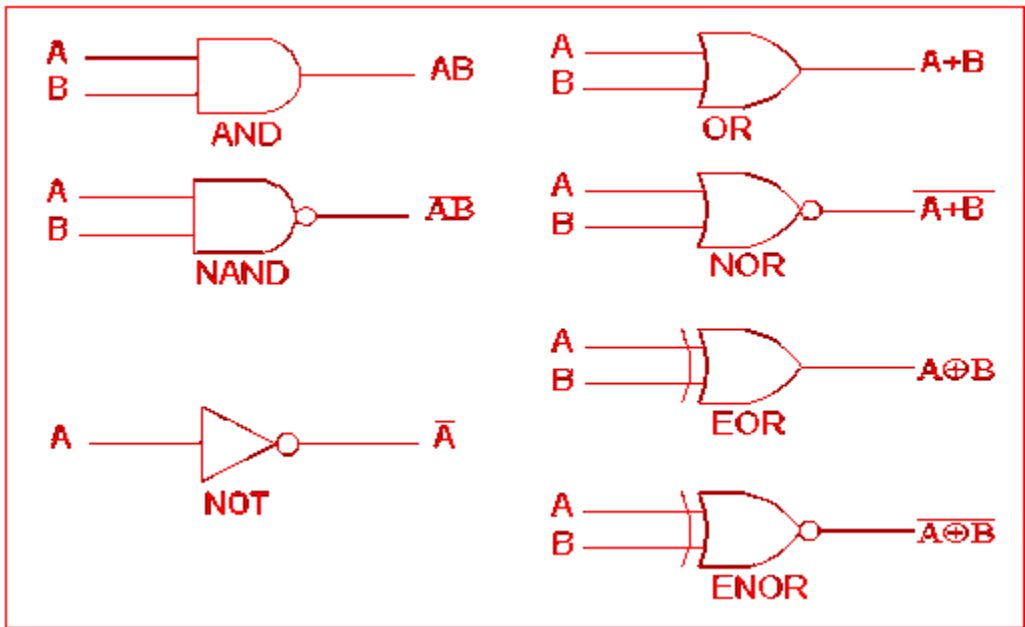


UNIT-IV ANALOG ELECTRONICS





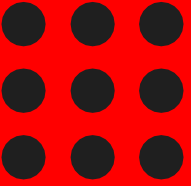
UNIT-V LINEAR AND DIGITAL ELECTRONICS





ESSENTIALS FOR THE LEARNING THE COURSE

1. Industrial Visit
2. Industrial Case study
3. Demo Model Creation
4. Industry Specific Question Paper
5. Top Contest Participation
6. PPT Preparation
7. Assessment
8. Feedback Mode
9. Seminar Presentation





REFERENCES

1. Bhattacharya. S.K, “Basic Electrical and Electronics Engineering”, Pearson Education , (2017)
2. Muthu Subramanian R, Salivahanan S,“ Basic Electrical and Electronics Engineering”, Tata McGraw Hill Publishers, (2009)
3. V.Mittle“ Basic Electrical Engineering”, Tata McGraw Hill Publishers, (2017)
4. Nagrath. I.J, “Electronics: Analog and Digital”, Prentice Hall India Pvt. Ltd., (2013)

THANK YOU