



# SNS COLLEGE OF ENGINEERING

Kurumbapalayam (Po), Coimbatore – 641 107

**An Autonomous Institution**

Accredited by NBA – AICTE and Accredited by NAAC – UGC with 'A' Grade  
Approved by AICTE, New Delhi & Affiliated to Anna University, Chennai

## DEPARTMENT OF ELECTRICAL AND ELECTRONICS ENGINEERING

**COURSE NAME : 19EE01 BASIC ELECTRICAL AND ELECTRONICS ENGINEERING**

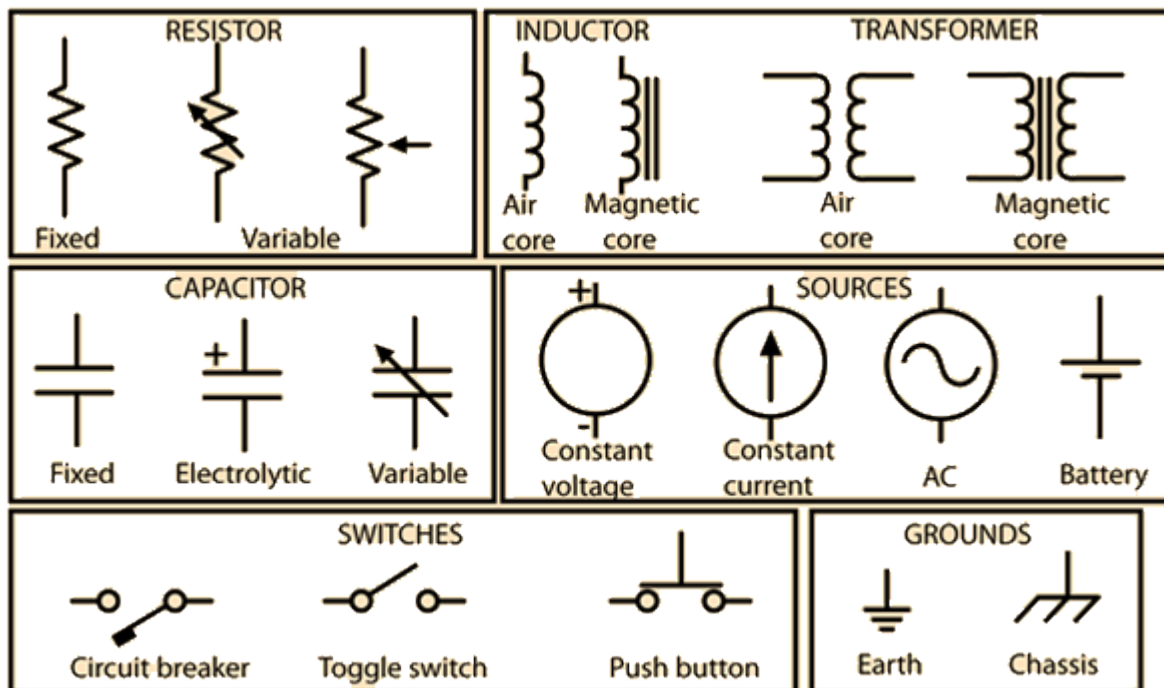
I YEAR /I SEMESTER MECHANICAL ENGINEERING

Unit 1 – Electrical Circuits and Measurements

Topic 1 : Introduction to Course

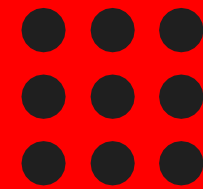


# UNIT-1 : ELECTRICAL CIRCUITS & MEASUREMENTS



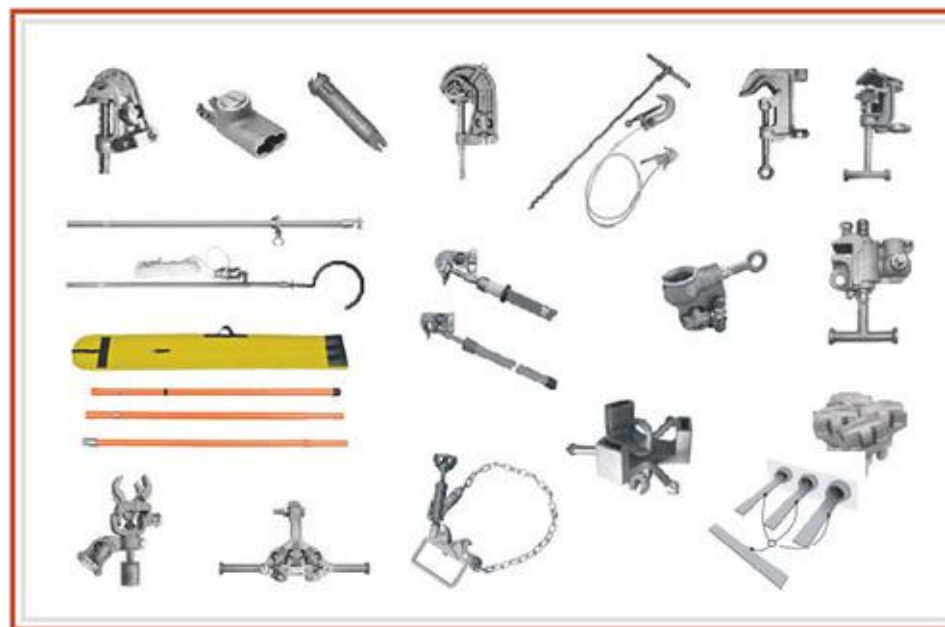
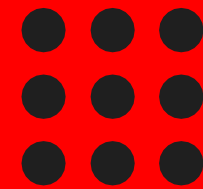


## UNIT-II ELECTRICAL MACHINES



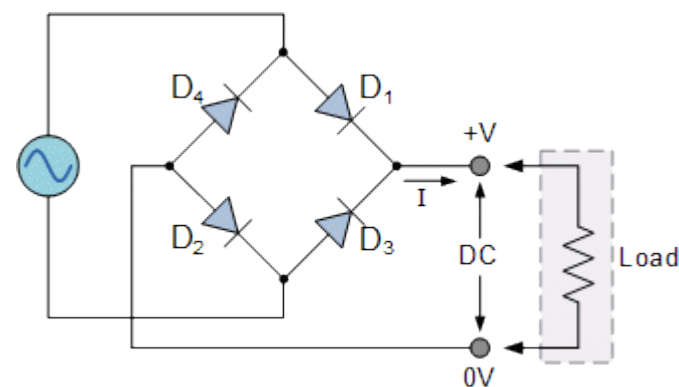
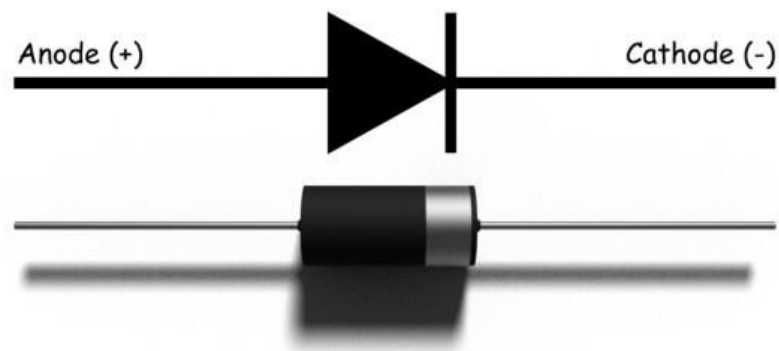
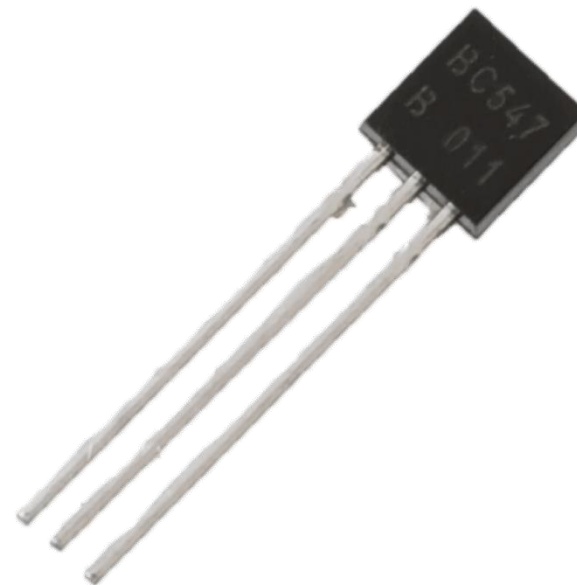
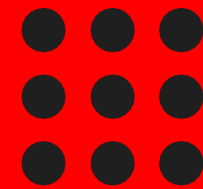


# UNIT-III WIRING, GROUNDING AND SAFETY



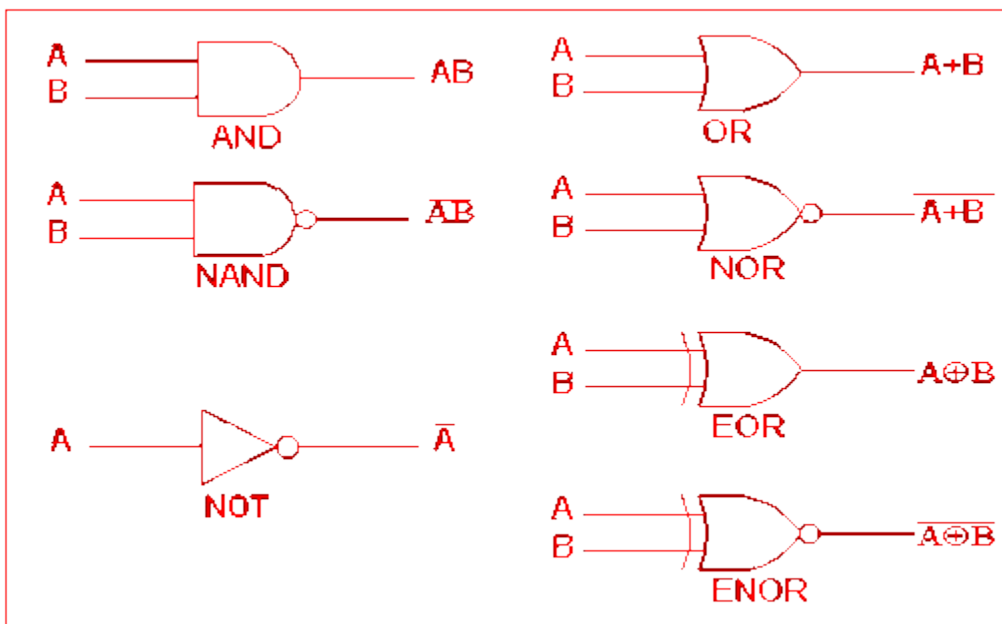
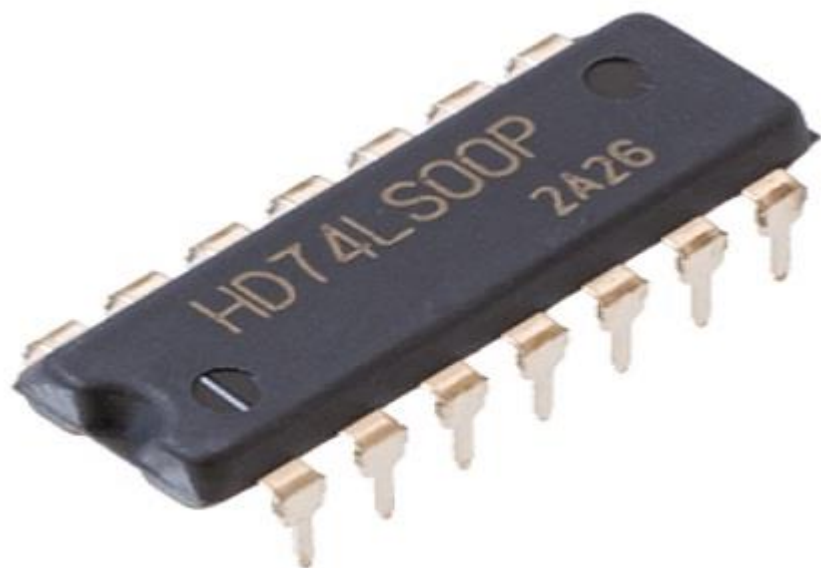


# UNIT-IV ANALOG ELECTRONICS





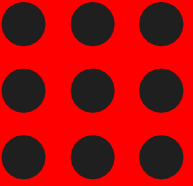
# UNIT-V LINEAR AND DIGITAL ELECTRONICS





# ESSENTIALS FOR THE LEARNING THE COURSE

1. Industrial Visit
2. Industrial Case study
3. Demo Model Creation
4. Industry Specific Question Paper
5. Top Contest Participation
6. PPT Preparation
7. Assessment
8. Feedback Mode
9. Seminar Presentation





# REFERENCES

1. Bhattacharya. S.K, “Basic Electrical and Electronics Engineering”, Pearson Education , (2017)
2. Muthu Subramanian R, Salivahanan S,“ Basic Electrical and Electronics Engineering”, Tata McGraw Hill Publishers, (2009)
3. V.Mittle“ Basic Electrical Engineering”, Tata McGraw Hill Publishers, (2017)
4. Nagrath. I.J, “Electronics: Analog and Digital”, Prentice Hall India Pvt. Ltd., (2013)

**THANK YOU**