



SNS COLLEGE OF ENGINEERING

Kurumbapalayam (Po), Coimbatore – 641 107

An Autonomous Institution

Accredited by NBA – AICTE and Accredited by NAAC – UGC with 'A' Grade

Approved by AICTE, New Delhi & Affiliated to Anna University, Chennai

DEPARTMENT OF ELECTRICAL AND ELECTRONICS ENGINEERING

COURSE NAME : 19EE308 ELECTRICAL ENGINEERING & INSTRUMENTATION

II YEAR /III SEMESTER ECE

Unit 1 – DC MACHINES

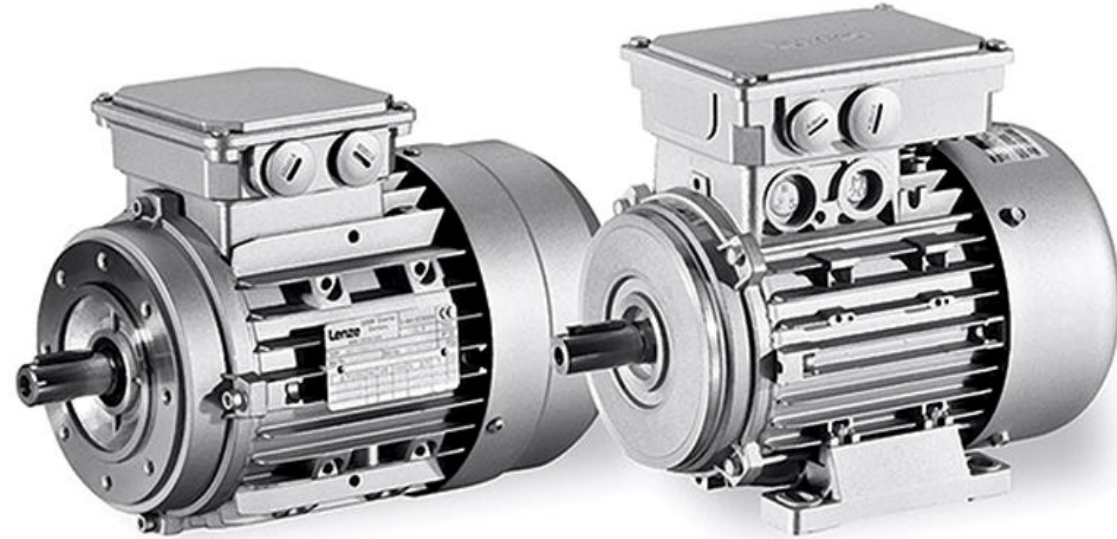
Speed control of DC Motor





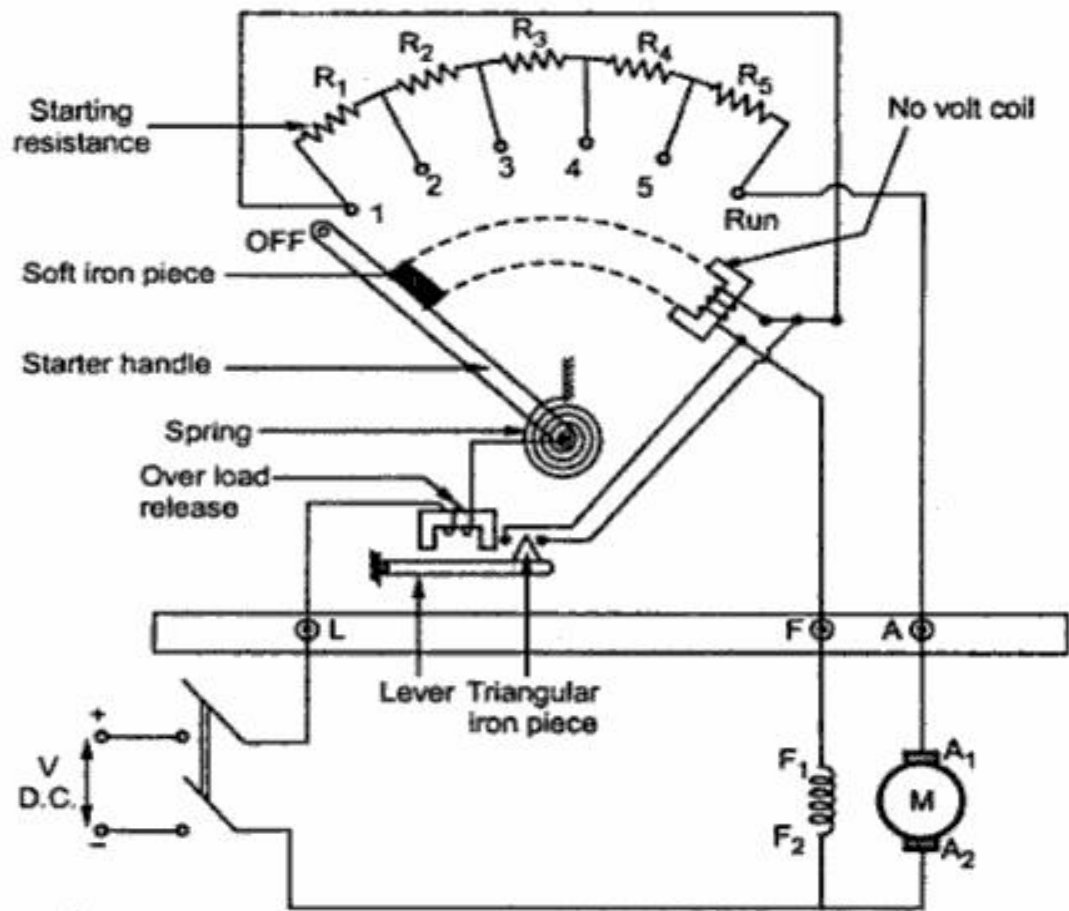
SPEED CONTROL OF DC MOTOR

Conventional Methods



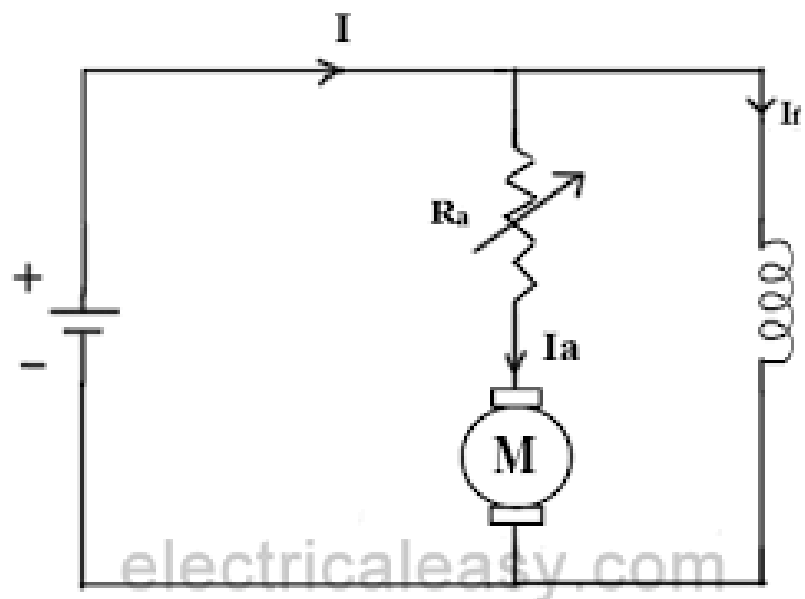


STARTER

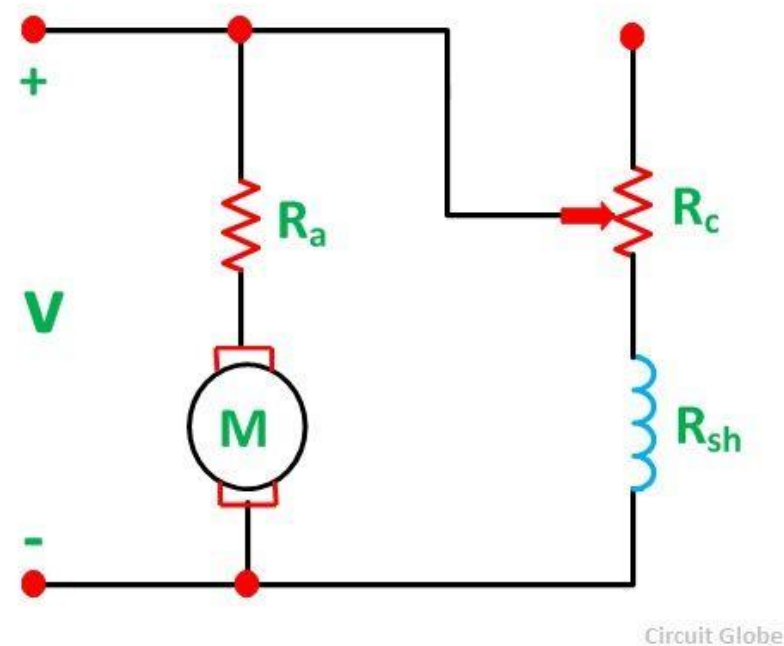




Armature Control Method



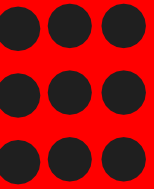
Field Control Method



Circuit Globe

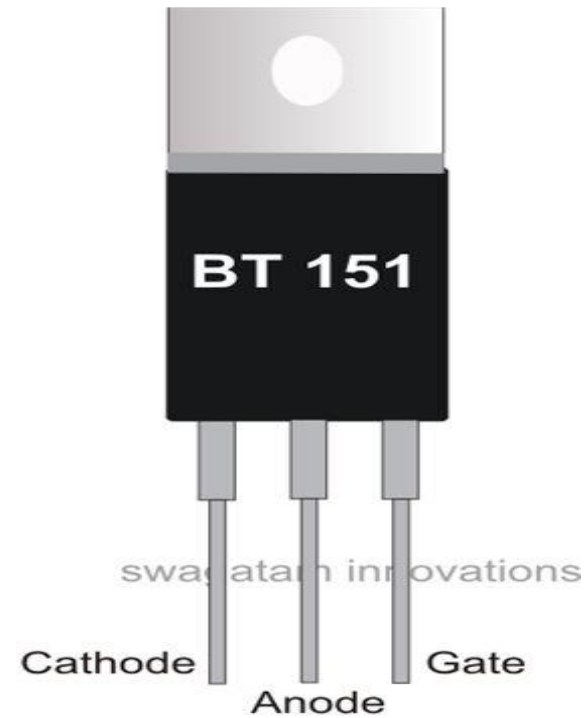
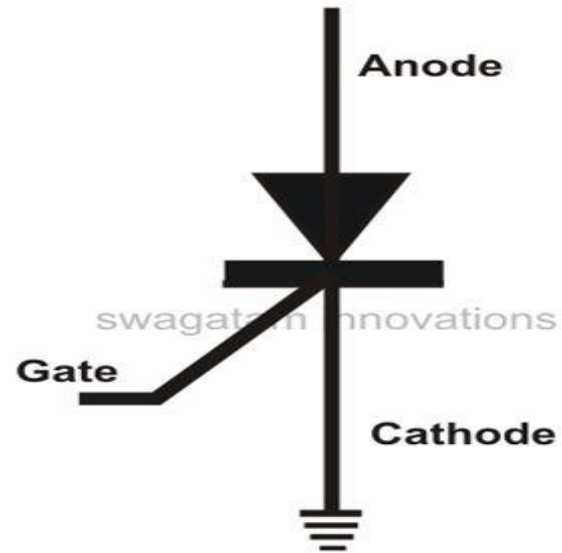


Modern Methods



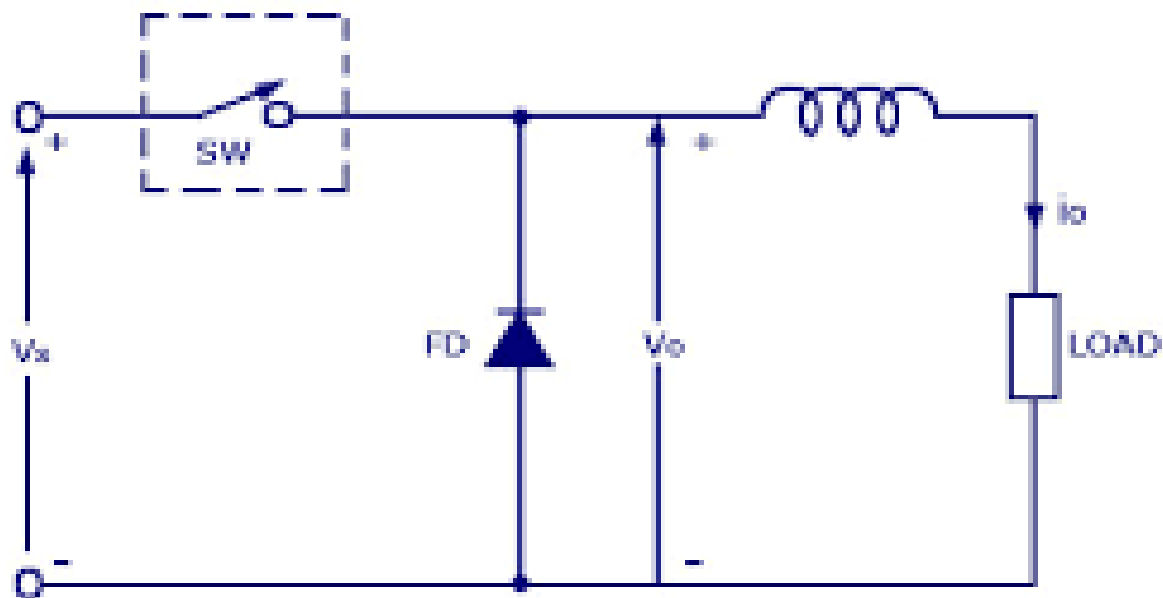


Silicon Control Rectifier



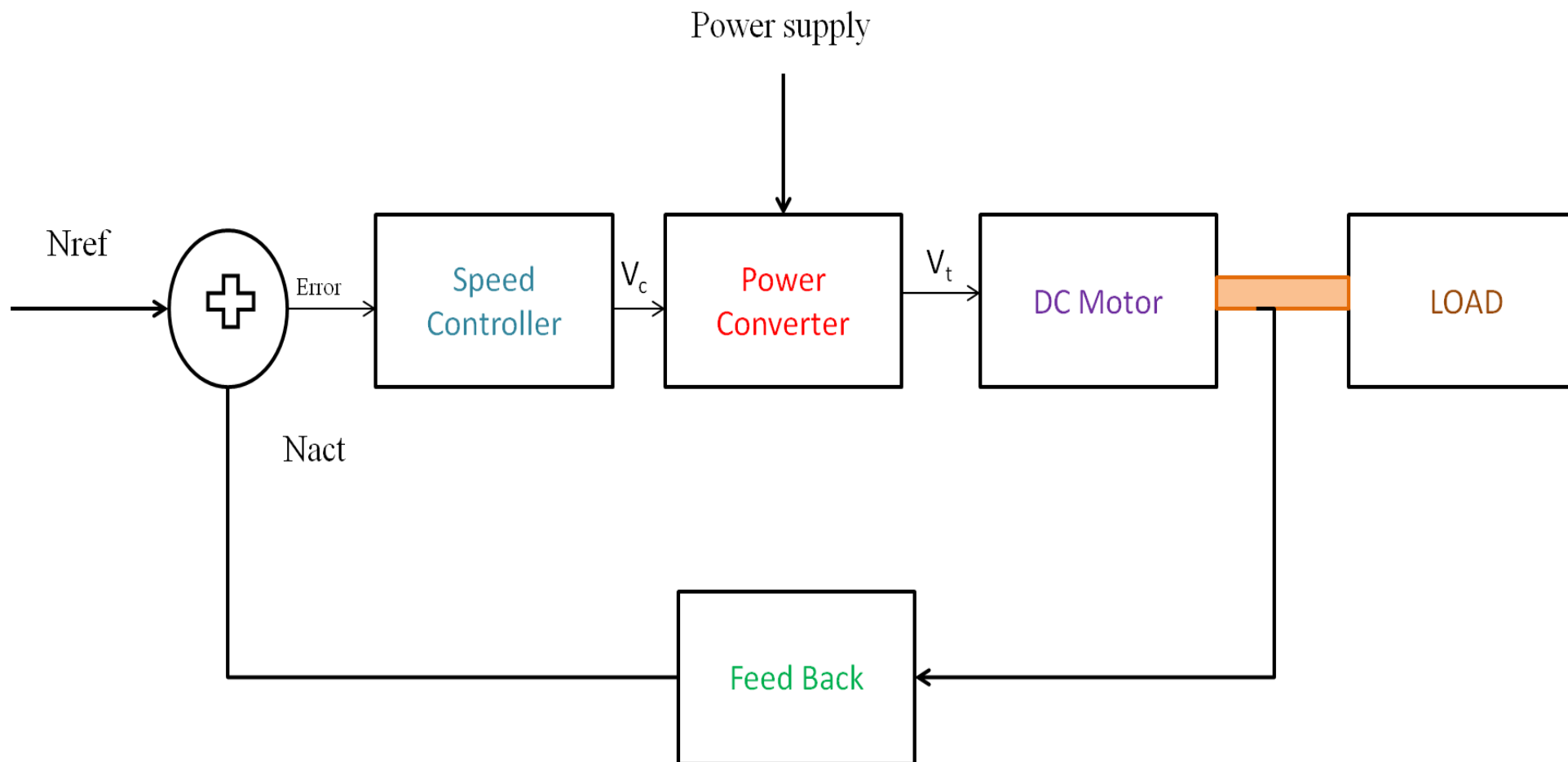
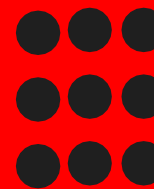


CHOPPER





CLOSED LOOP CONTROL





REFERENCES

1. Gopal K.Dubey, Fundamentals of Electrical Drives, Narosa Publishing House, 1992.
2. Bimal K.Bose. Modern Power Electronics and AC Drives, Pearson Education, 2002.
3. R.Krishnan, Electric Motor & Drives: Modeling, Analysis and Control, Pearson, 2001.
4. Vedam Subramanyam, “ Electric Drives Concepts and Applications ”, 2e, McGraw Hill, 2016

THANK YOU