



SNS COLLEGE OF ENGINEERING

Kurumbapalayam (Po), Coimbatore – 641 107

An Autonomous Institution

Accredited by NBA – AICTE and Accredited by NAAC – UGC with 'A' Grade

Approved by AICTE, New Delhi & Affiliated to Anna University, Chennai

DEPARTMENT OF ELECTRICAL AND ELECTRONICS ENGINEERING

COURSE NAME : 19EE308 ELECTRICAL ENGINEERING & INSTRUMENTATION

II YEAR /III SEMESTER ECE

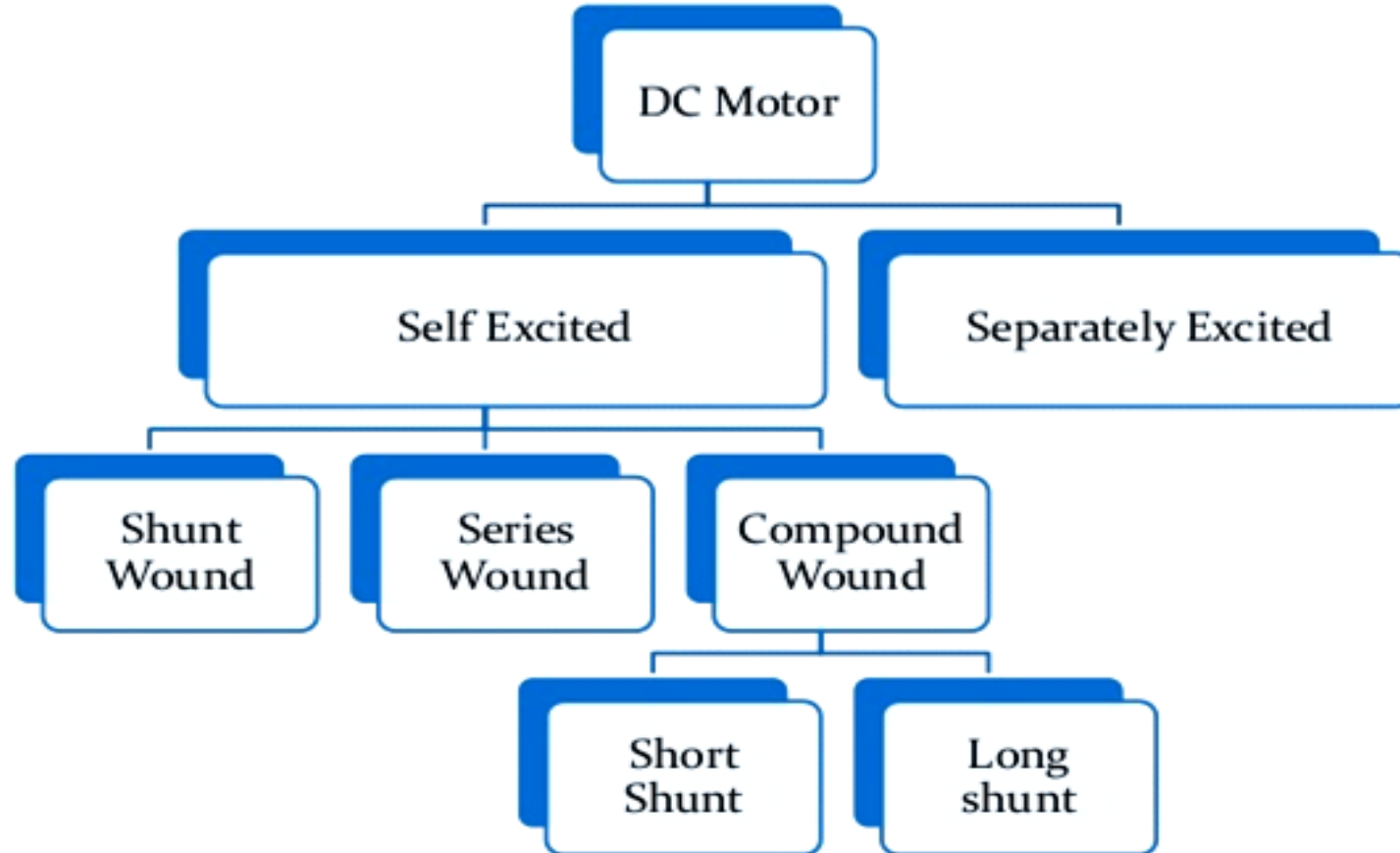
Unit 1 – DC MACHINES

Characteristics of DC Motors



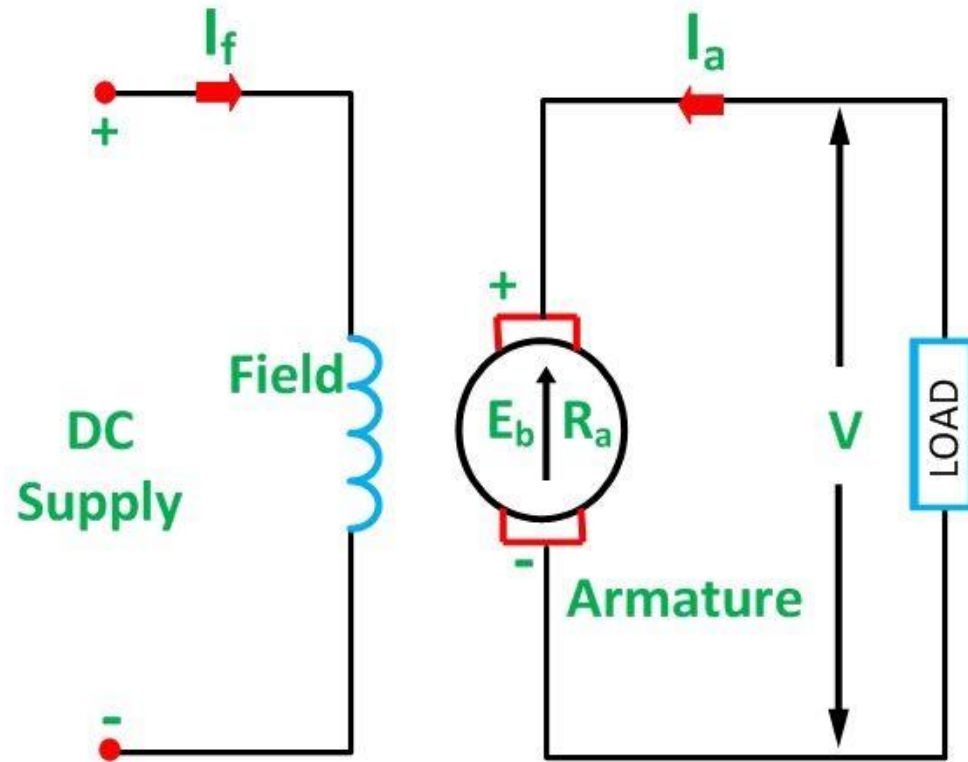


TYPES OF DC MOTOR



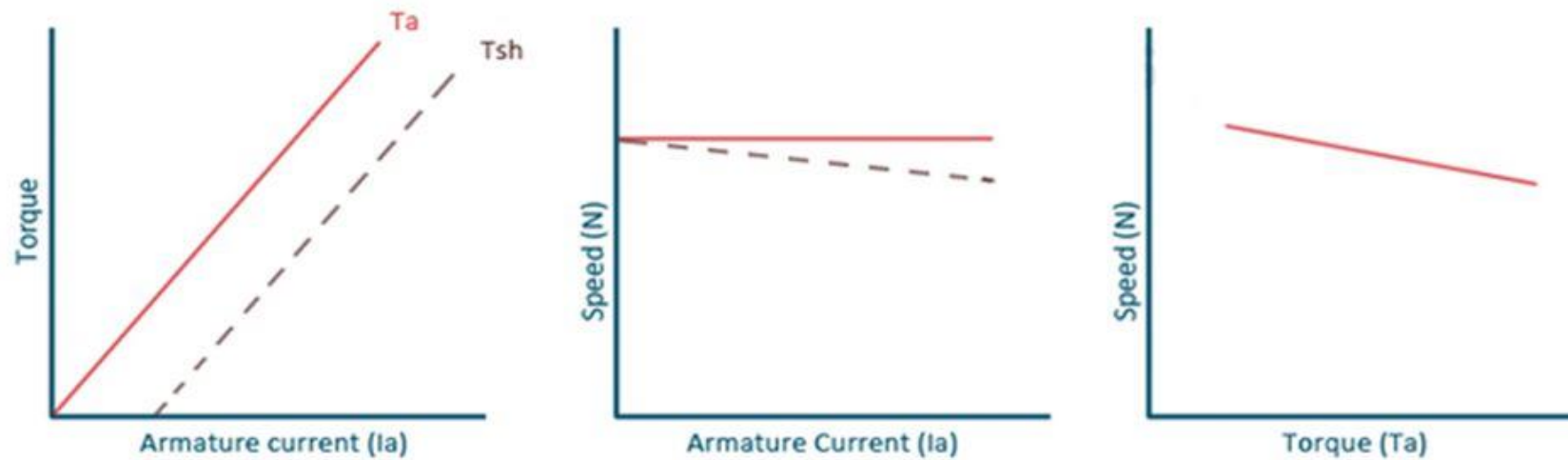


DC SHUNT MOTOR



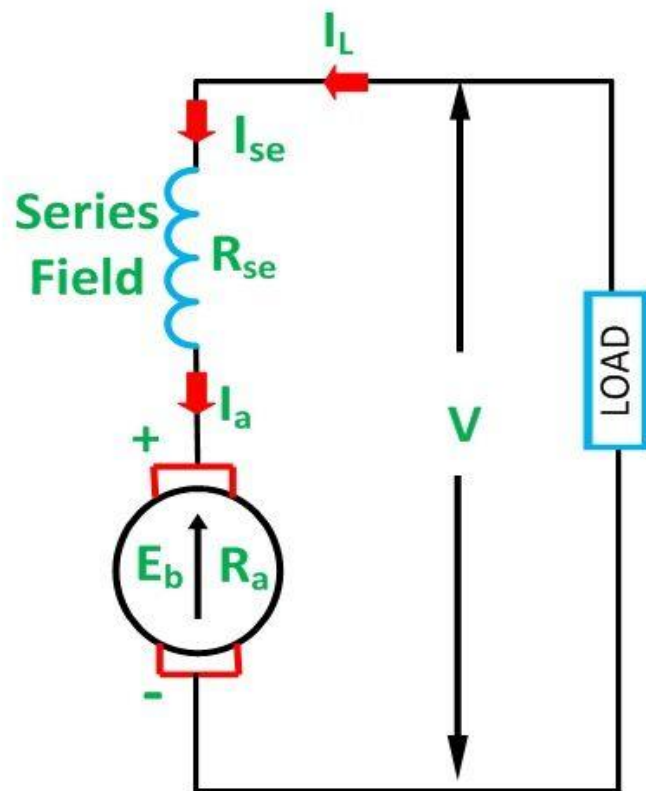


Characteristics of DC shunt motor

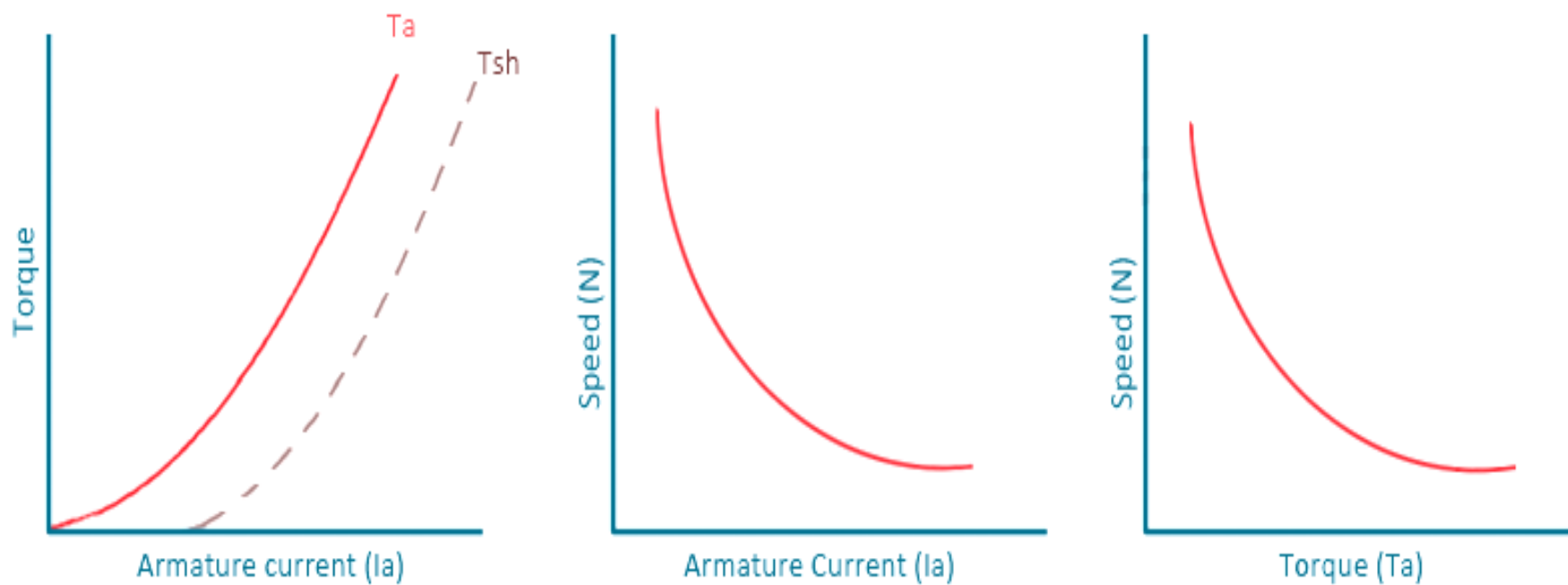
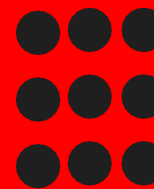




DC Series Motor



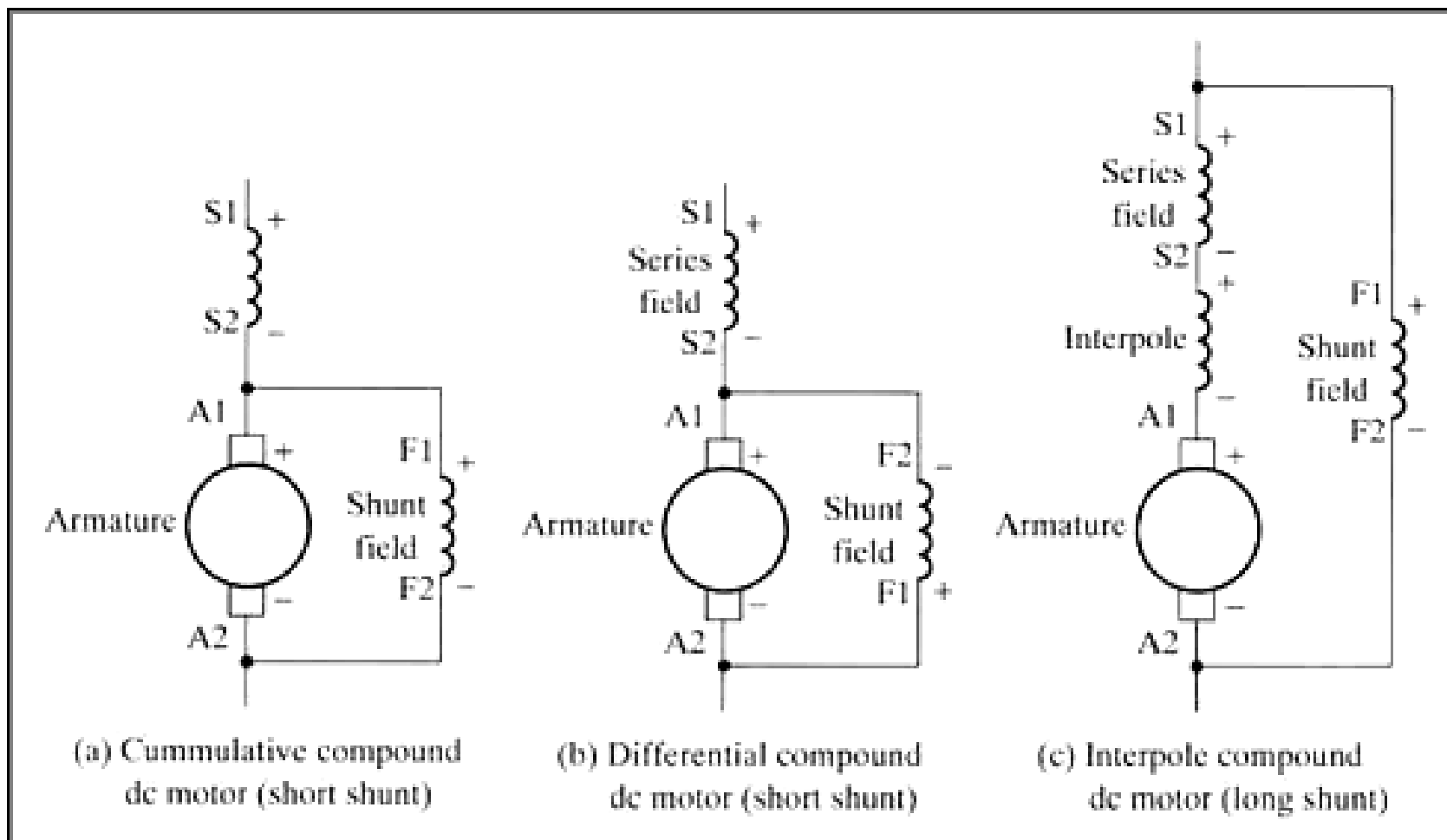
Circuit Globe



Characteristics of DC series motor



Compound Motor



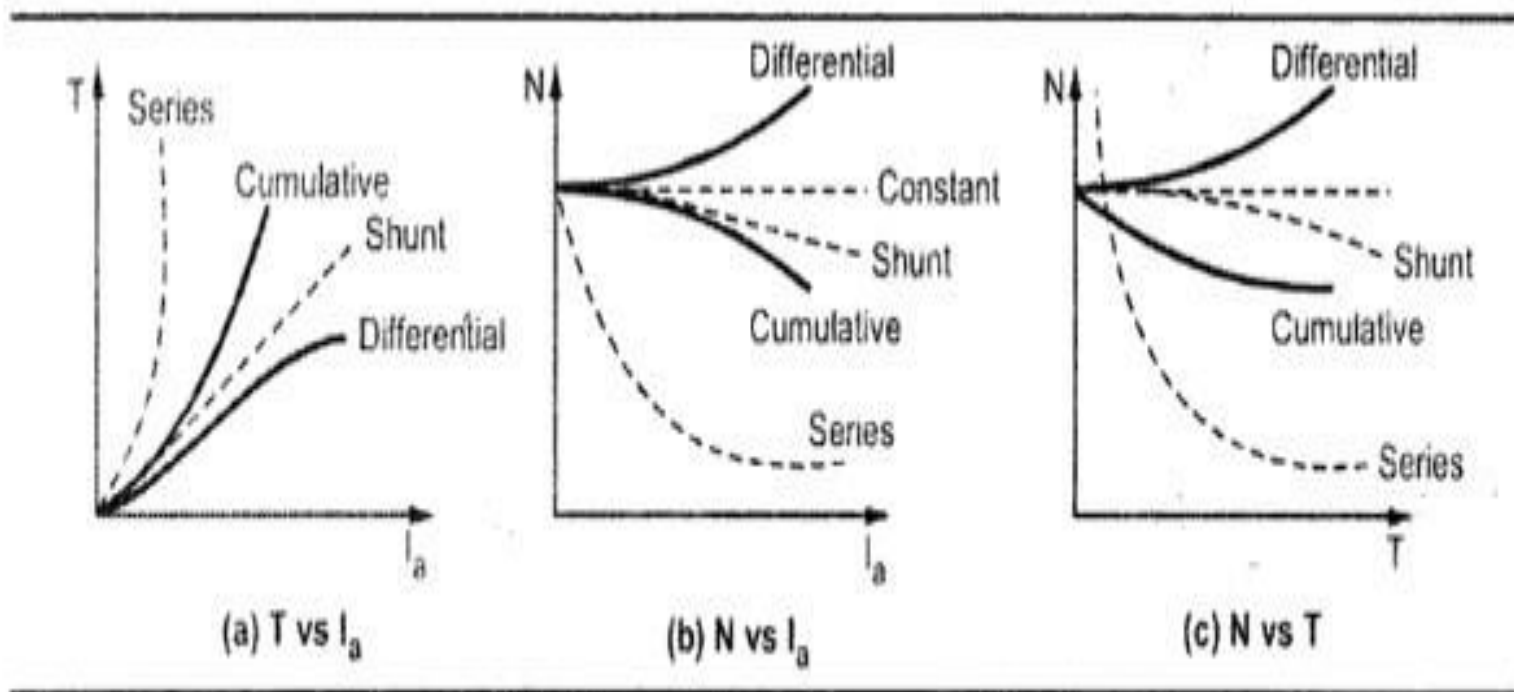
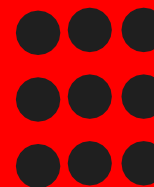


Fig. 2.19 Characteristics of compound motor





REFERENCES

1. Bhattacharya. S.K, “Basic Electrical and Electronics Engineering”, Pearson Education , (2017)
2. Muthu Subramanian R, Salivahanan S,“ Basic Electrical and Electronics Engineering”, Tata McGraw Hill Publishers, (2009)
3. V.Mittle“ Basic Electrical Engineering”, Tata McGraw Hill Publishers, (2017)
4. Nagrath. I.J, “Electronics: Analog and Digital”, Prentice Hall India Pvt. Ltd., (2013)

THANK YOU