



SNS COLLEGE OF TECHNOLOGY

Coimbatore-35
An Autonomous Institution

Accredited by NBA – AICTE and Accredited by NAAC – UGC with 'A+' Grade
Approved by AICTE, New Delhi & Affiliated to Anna University, Chennai



DEPARTMENT OF ELECTRONICS AND COMMUNICATION ENGINEERING

19ECT221 – MICROPROCESSORS AND MICROCONTROLLERS

II YEAR - IV SEM

UNIT 3– 8051 MICROCONTROLLER

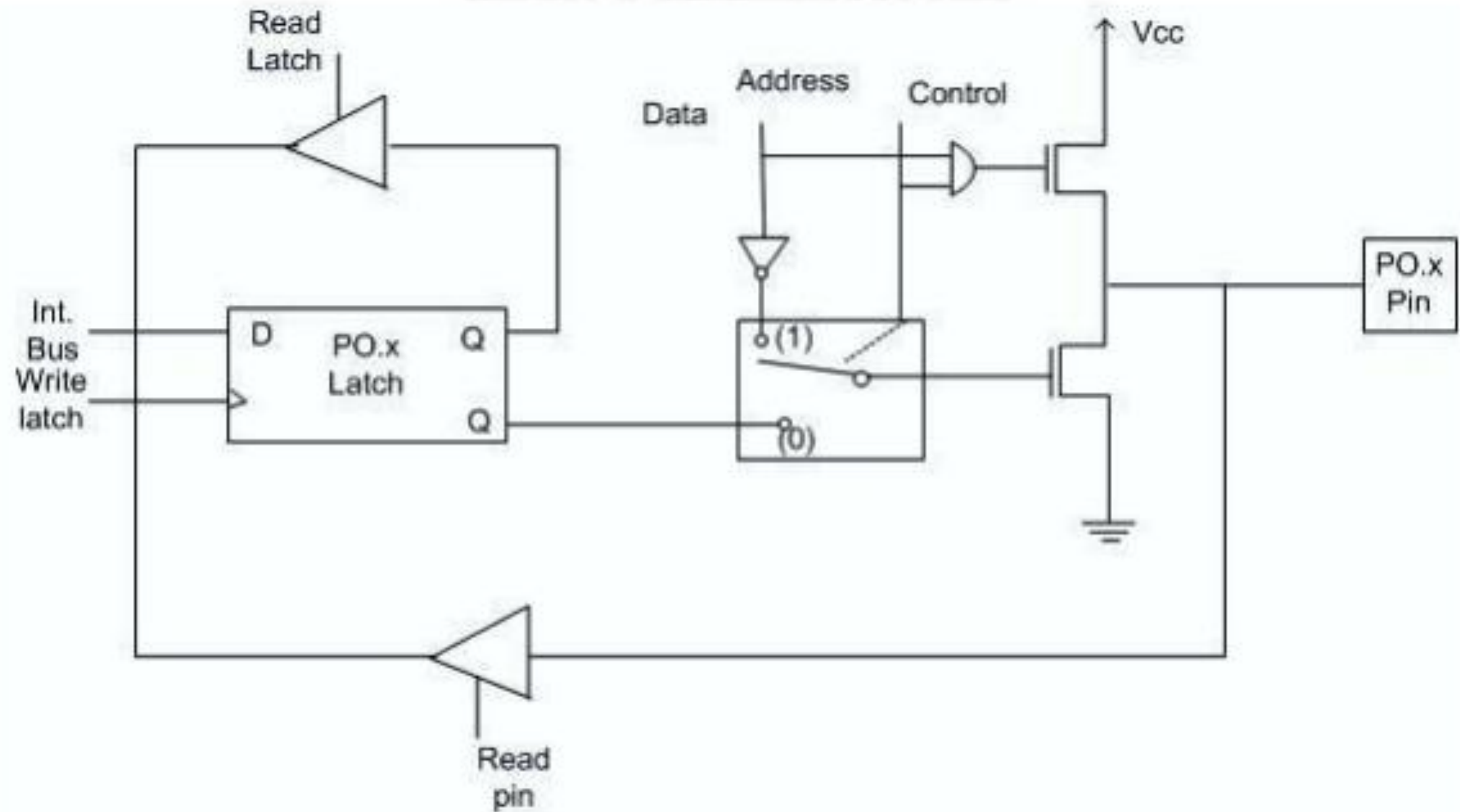


I/O PORTS PINS AND CIRCUITS OF 8051

- Each port of 8051 has bidirectional capability.
- Port 0 is called 'true bidirectional port' as it floats (tristate) when configured as input.
- Port 1, 2, 3 are called 'quasi bidirectional port'.



PORT 0 Circuit





References

<https://codestall.wordpress.com/2017/11/29/i-o-ports-of-8051-microcontroller/>

https://www.tutorialspoint.com/microprocessor/microcontrollers_8051_input_output_ports.htm

https://www.rcet.org.in/uploads/academics/rohini_32929741566.pdf

Ramesh S.Gaonkar,” Microprocessor – Architecture, Programming and Applications with the 8085”, Penram International Publisher,7th Ed., 2016

Thank You