

An Autonomous Institution

Accredited by NBA – AICTE and Accredited by NAAC – UGC with ‘A+’ Grade
Approved by AICTE, New Delhi & Affiliated to Anna University, Chennai

DEPARTMENT OF INFORMATION TECHNOLOGY

19CSB302 – COMPUTER NETWORKS

III YEAR V SEM

UNIT 3 – TRANSPORT LAYER

TOPIC 16 – Transport Layer Services

Control Transmission Protocol (SCTP) is a reliable, message-oriented transport layer protocol. SCTP, however, is mostly designed for applications that have recently emerged. These new applications need a service that is better than TCP can provide.

Discussed in this section:

Goals and Features

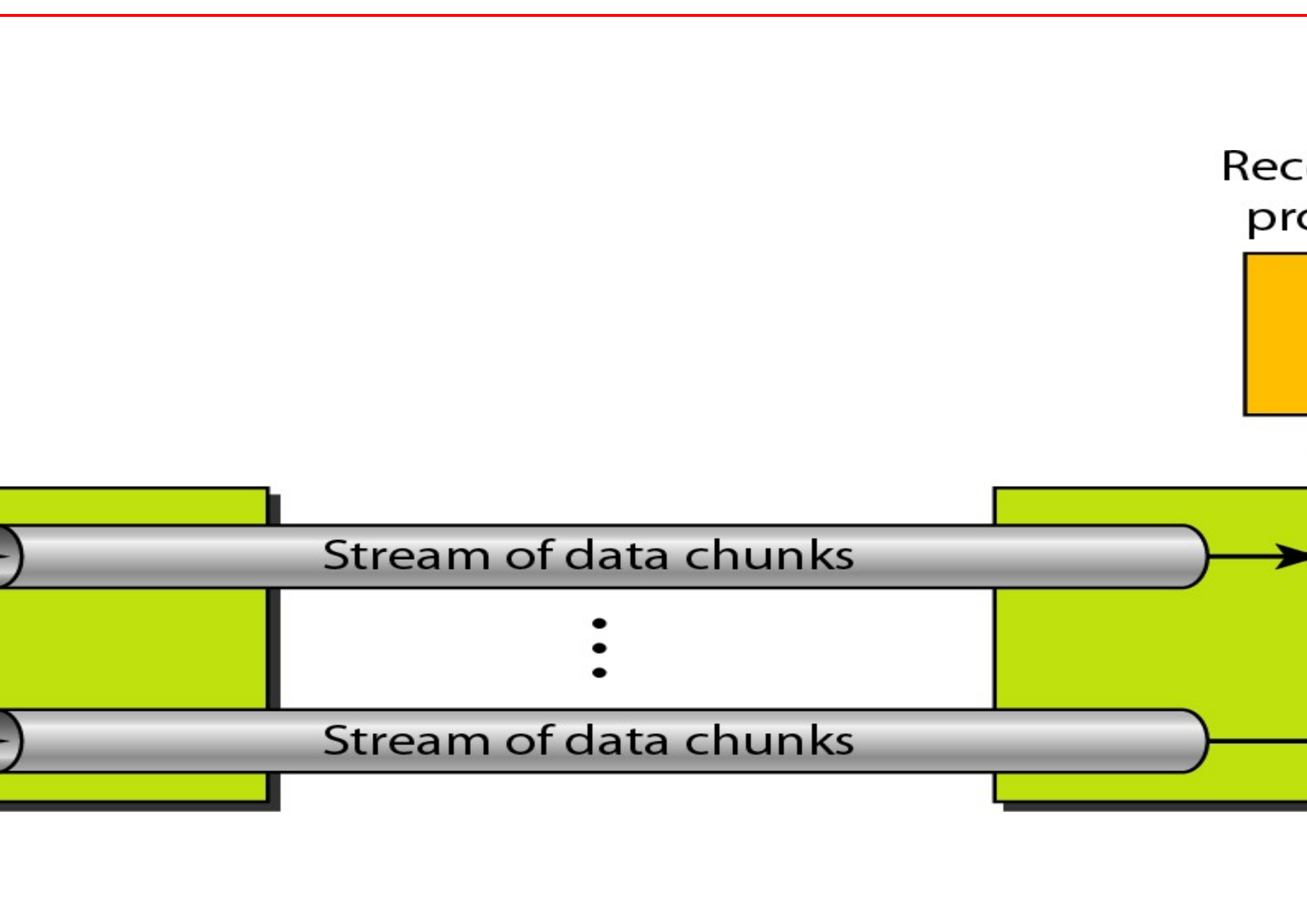
at

Association

**UDP is a message-oriented, reliable
protocol that combines the best features
of UDP and TCP.**

4 Some SCTP applications

	<i>Port Number</i>	<i>Description</i>
	9990	ISDN over IP
	2904	SS7 telephony signaling
	2905	SS7 telephony signaling
	2945	Media gateway control
	1718, 1719, 1720, 11720	IP telephony
	5060	IP telephony



Stream of data chunks

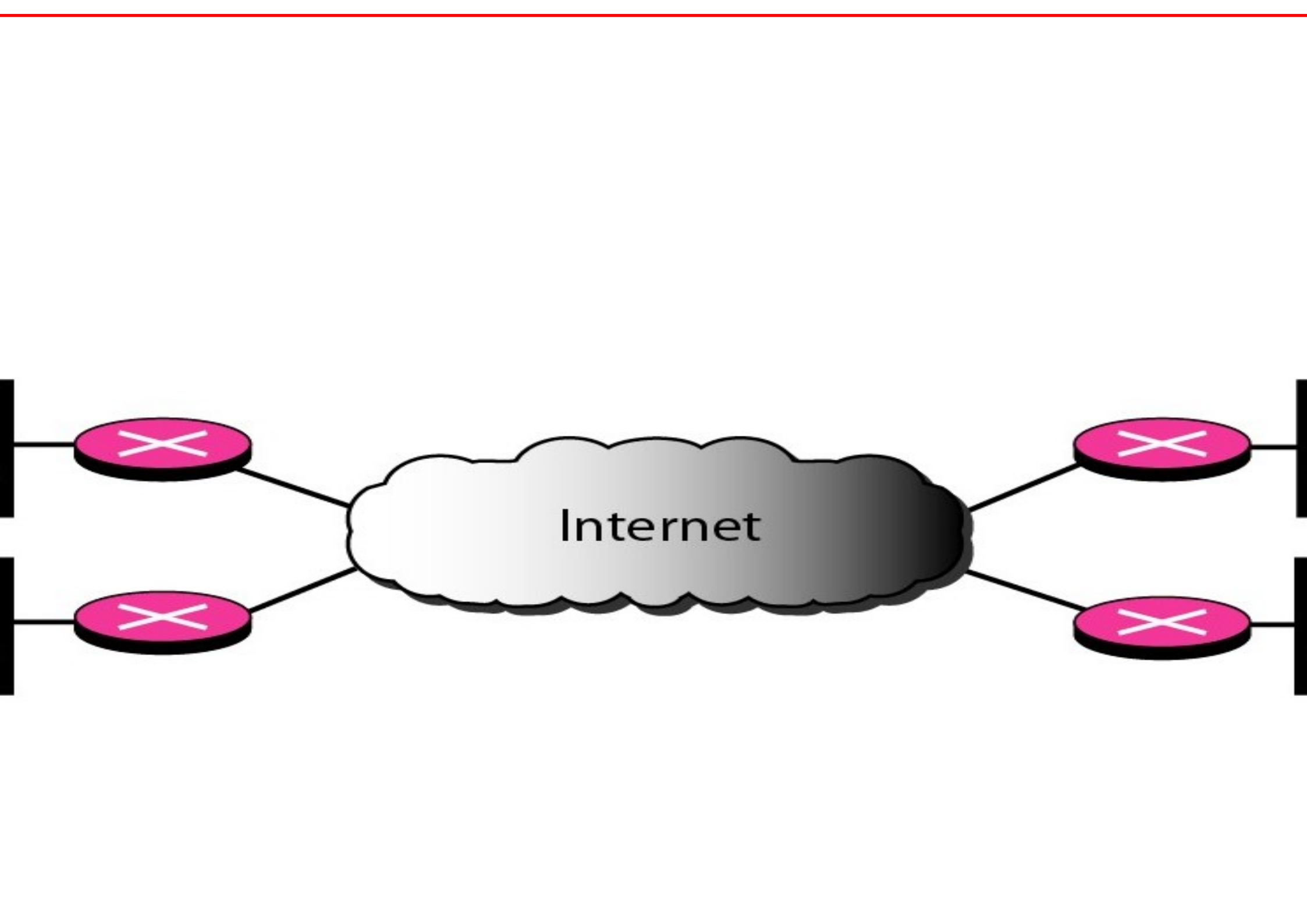
⋮

Stream of data chunks

Rec
pro



Association in SCTP can involve multiple streams.



• association allows multiple IP addresses for each end.

**CTP, a data chunk is numbered
using a TSN.**

distinguish between different streams, SCTP uses an SI.

**distinguish between different data
links belonging to the same stream.
SCTP uses SSNs.**

as segments; SCTP has packets

Source address	Destination port address
Sequence number	
Acknowledgment number	
Control flags	Window size
	Urgent pointer
Options	
Data bytes	

A segment in TCP

Source port address	Destination port address
Verification tag	
Checksum	
Control chunks	
Data chunks	

A packet in SCTP

**SCTP, control information and data
information are carried in separate
chunks.**

Third packet

Header	
Control chunks	
TSN: 107	
SI: 1	SSN: 2
TSN: 108	
SI: 2	SSN: 0
TSN: 109	
SI: 2	SSN: 1

Second packet

Header	
Control chunks	
TSN: 104	
SI: 0	SSN: 3
TSN: 105	
SI: 1	SSN: 0
TSN: 106	
SI: 1	SSN: 1

Stream 2

Stream 1

Stream 0

Flow of packets from sender to receiver

Data chunks are identified by three items: TSN, SI, and SSN. TSN is a cumulative number identifying the association; SI defines the stream; SSN defines the chunk in a stream.

**P, acknowledgment numbers are
knowledge only data chunks; co
s are acknowledged by other c
chunks if necessary.**

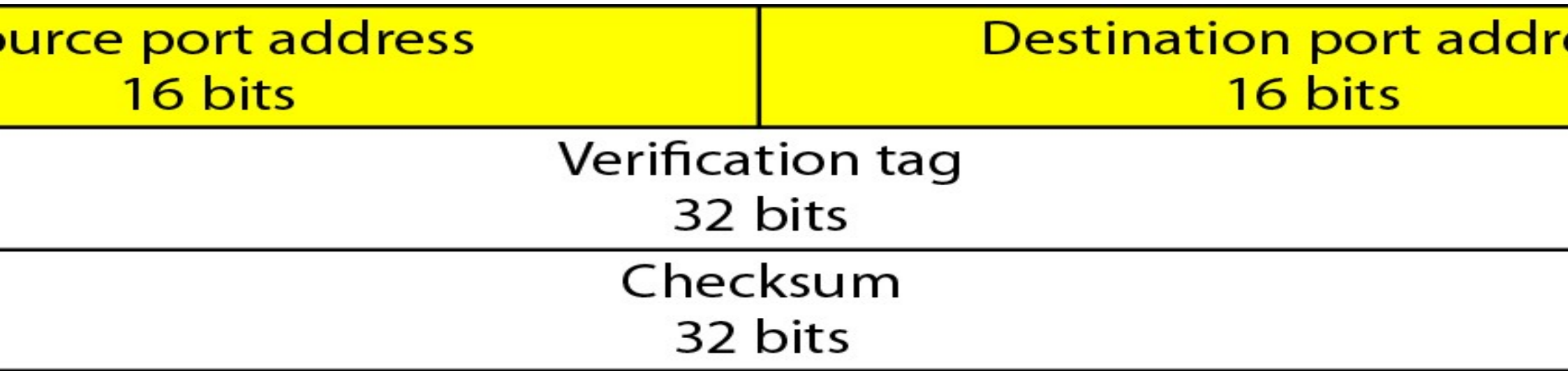
General header
(12 bytes)

Chunk 1
(variable length)

⋮

Chunk N
(variable length)

**CTP packet, control chunks con
before data chunks.**

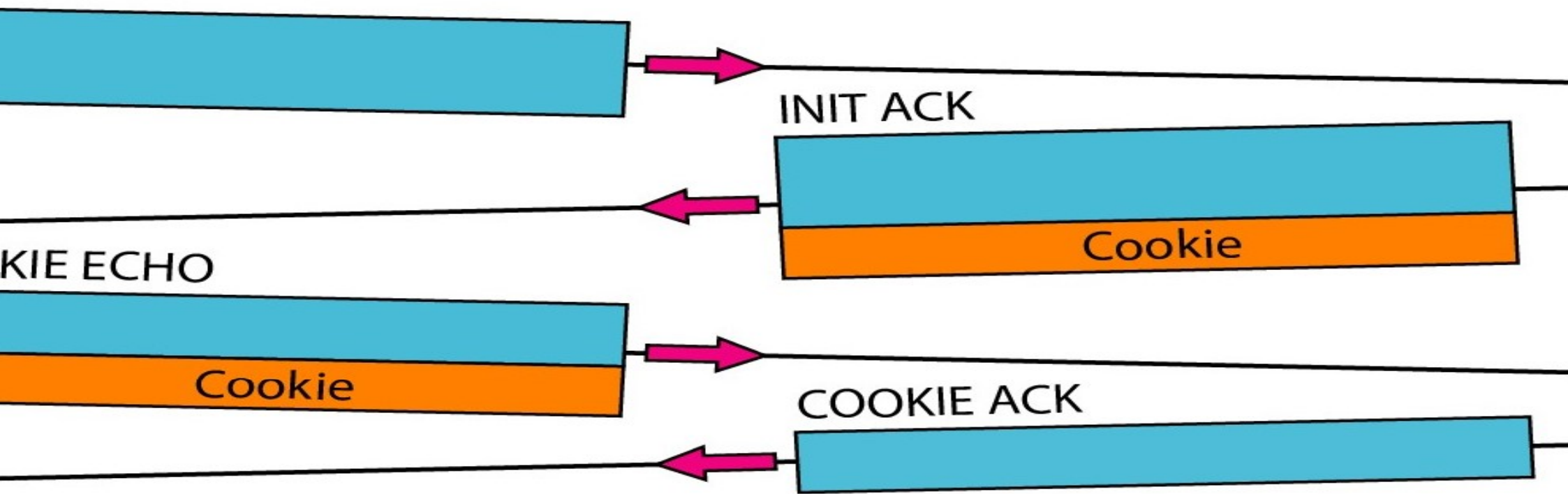


Chunks

<i>Chunk</i>	<i>Description</i>
DATA	User data
INIT	Sets up an association
INIT ACK	Acknowledges INIT chunk
SACK	Selective acknowledgment
HEARTBEAT	Probes the peer for liveliness
HEARTBEAT ACK	Acknowledges HEARTBEAT
ABORT	Aborts an association
SHUTDOWN	Terminates an association
SHUTDOWN ACK	Acknowledges SHUTDOWN
ERROR	Reports errors without shutting down
COOKIE ECHO	Third packet in association
COOKIE ACK	Acknowledges COOKIE ECHO
SHUTDOWN COMPLETE	Third packet in association

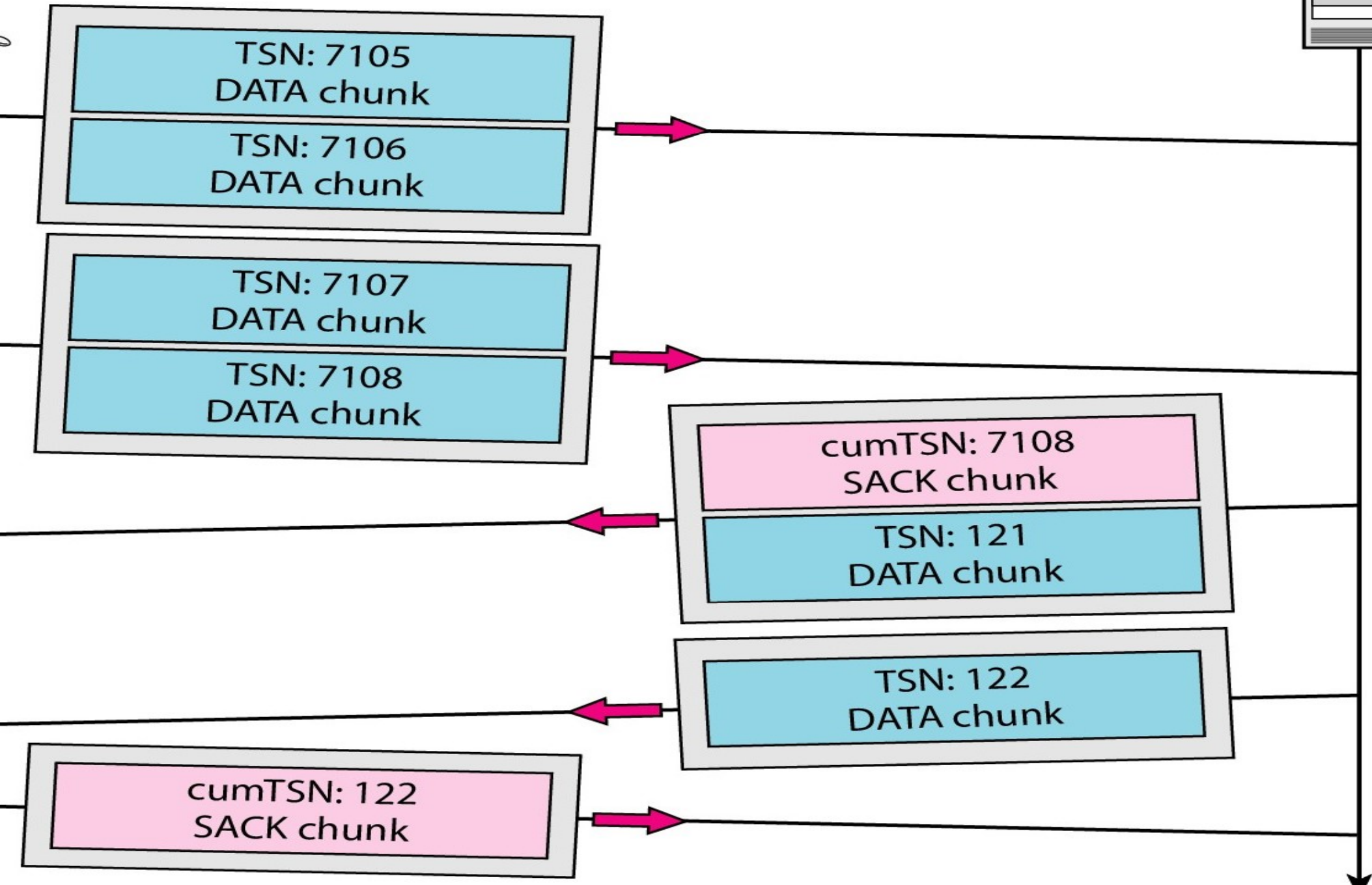
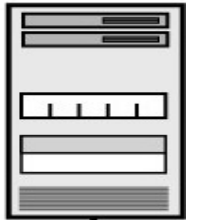
**Connection in SCTP is called an
association.**

**other chunk is allowed in a pac
rrying an INIT or INIT ACK chunk
COOKIE ECHO or a COOKIE AC
chunk can carry data chunks.**



**In SCTP, only DATA chunks
consume TSNs;
DATA chunks are the only chunks
that are acknowledged.**

Server



acknowledgment in SCTP defines cumulative TSN, the TSN of the last chunk received in order.

SHUTDOWN



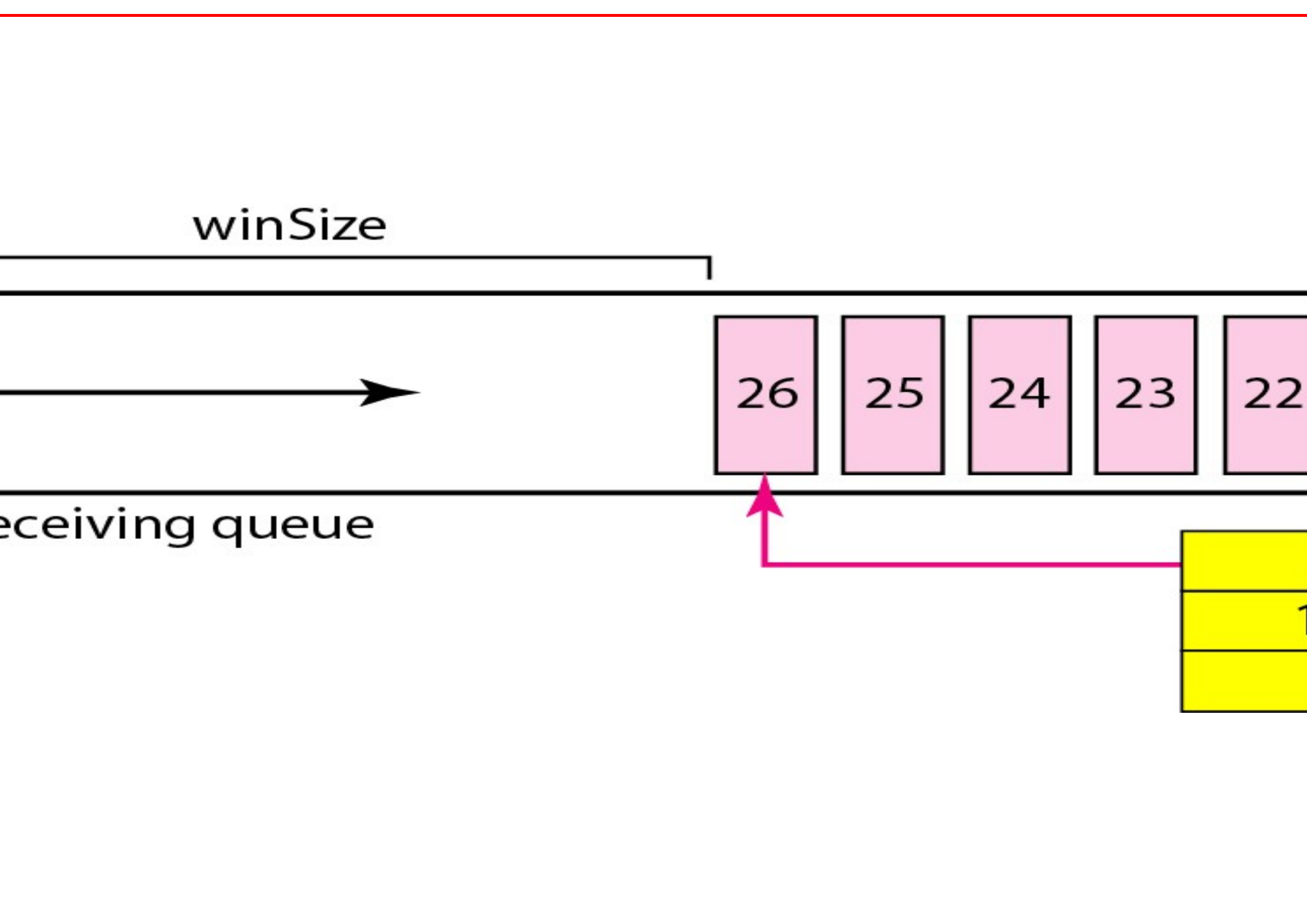
cum TSN

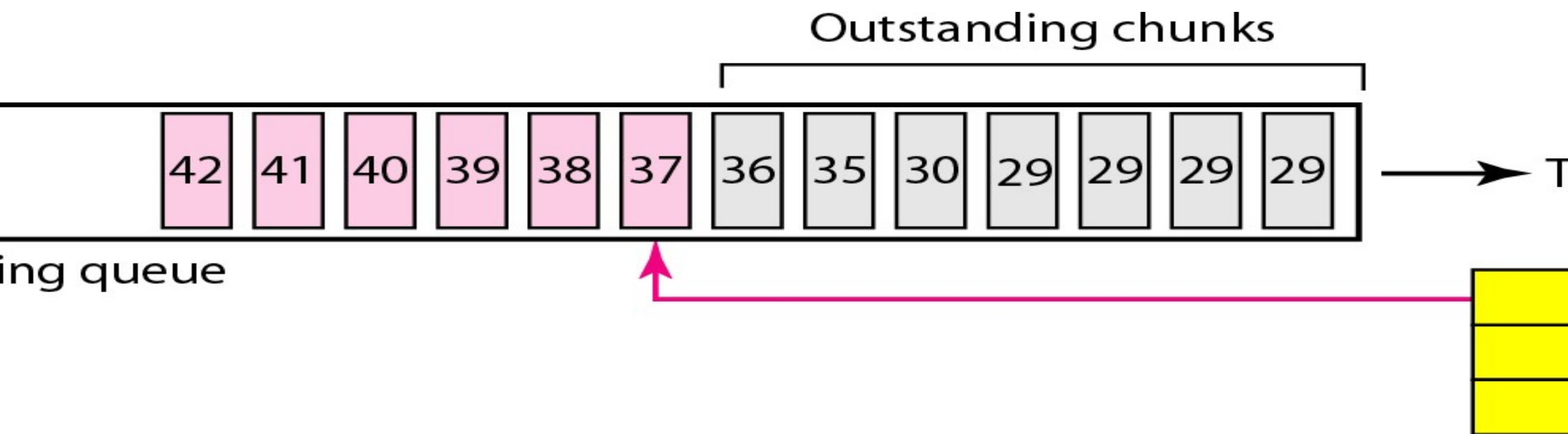
SHUTDOWN ACK

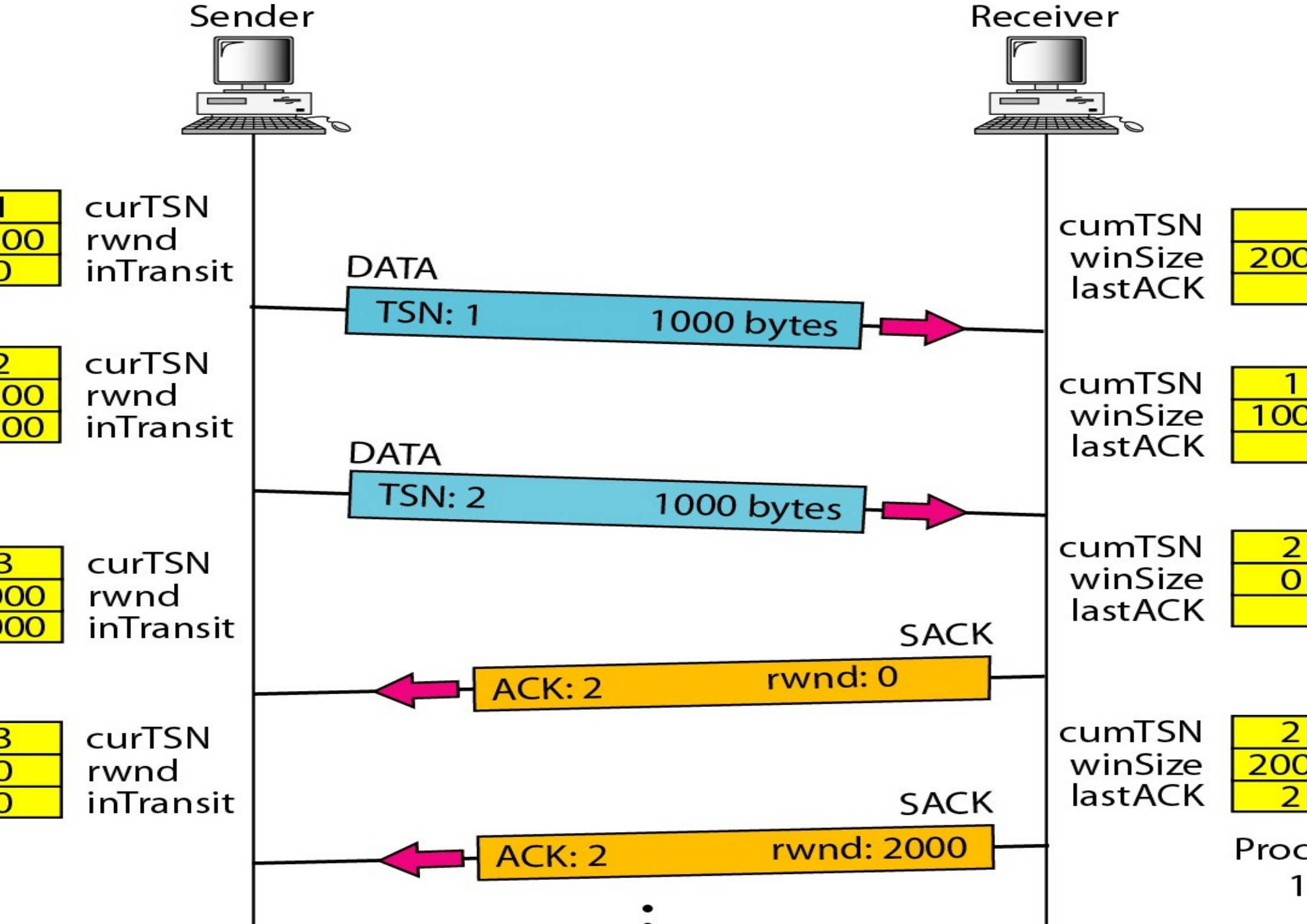


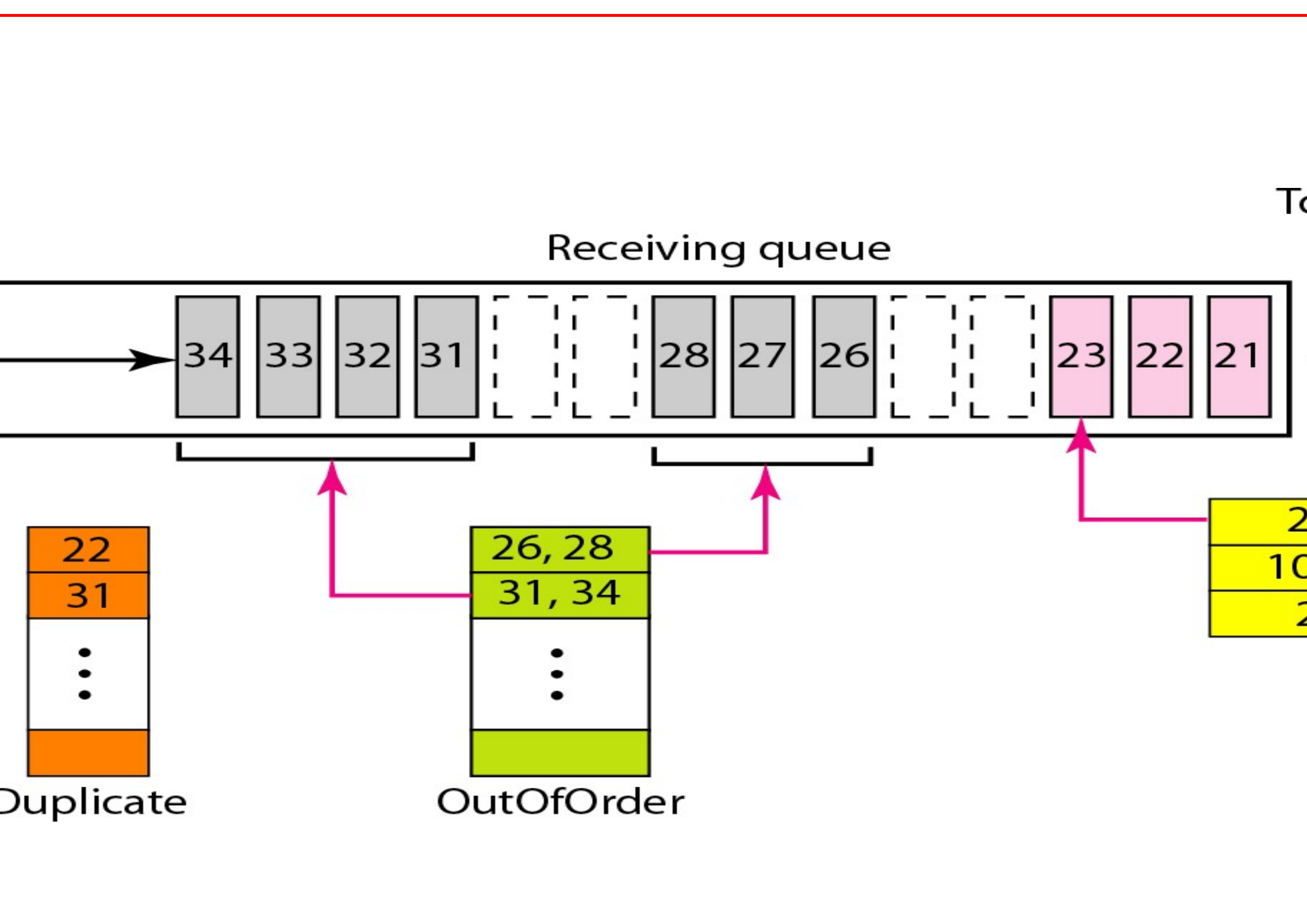
SHUTDOWN COMPLETE

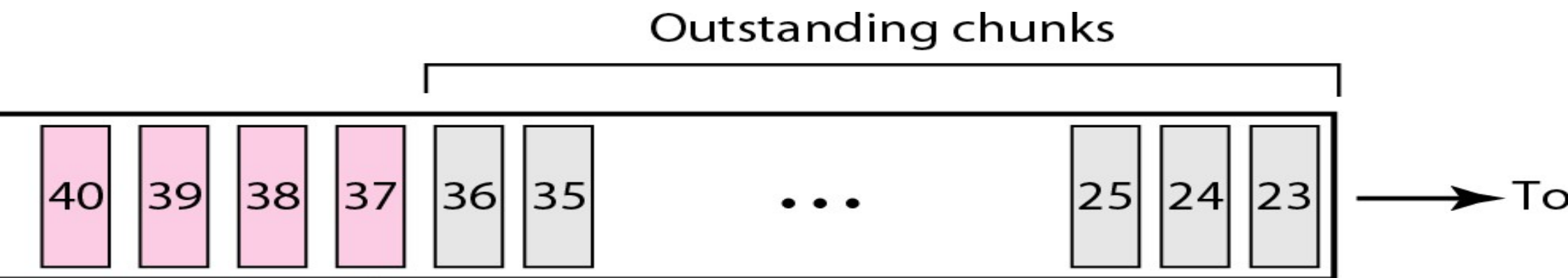








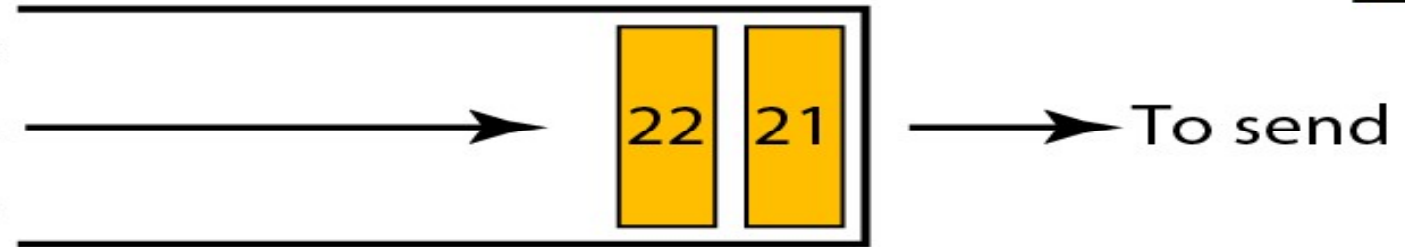




ing queue



Add when timer expires or three SACKs are received.



Retransmission queue

Thank You