

An Autonomous Institution

Accredited by NBA – AICTE and Accredited by NAAC – UGC with ‘A+’ Grade
Approved by AICTE, New Delhi & Affiliated to Anna University, Chennai

DEPARTMENT OF INFORMATION TECHNOLOGY

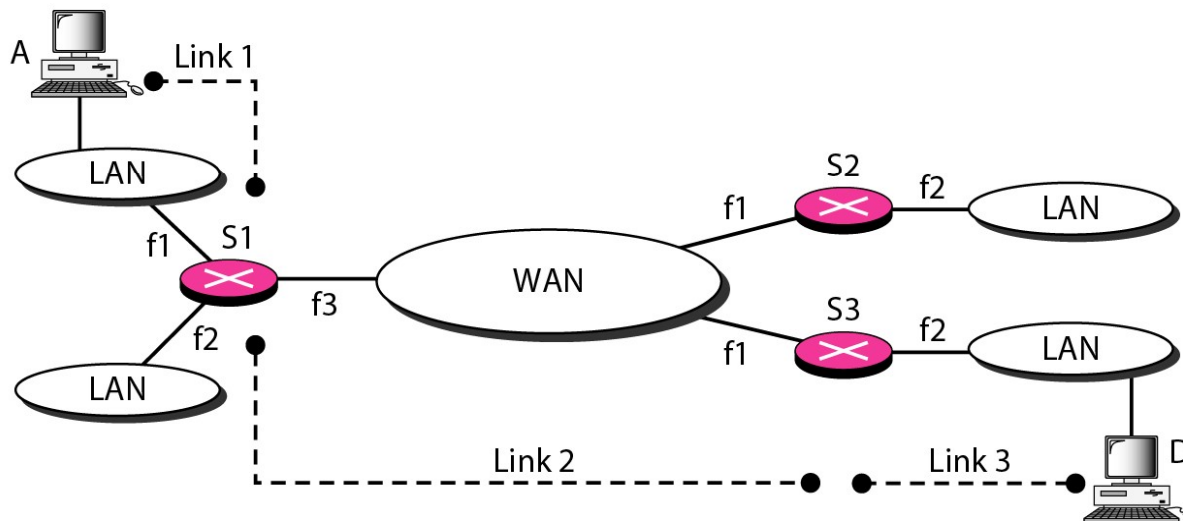
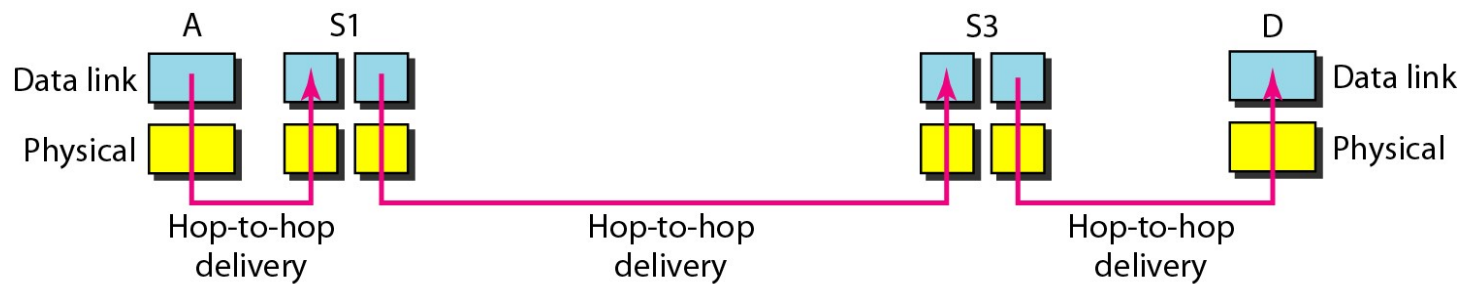
16IT301 – COMPUTER NETWORKS

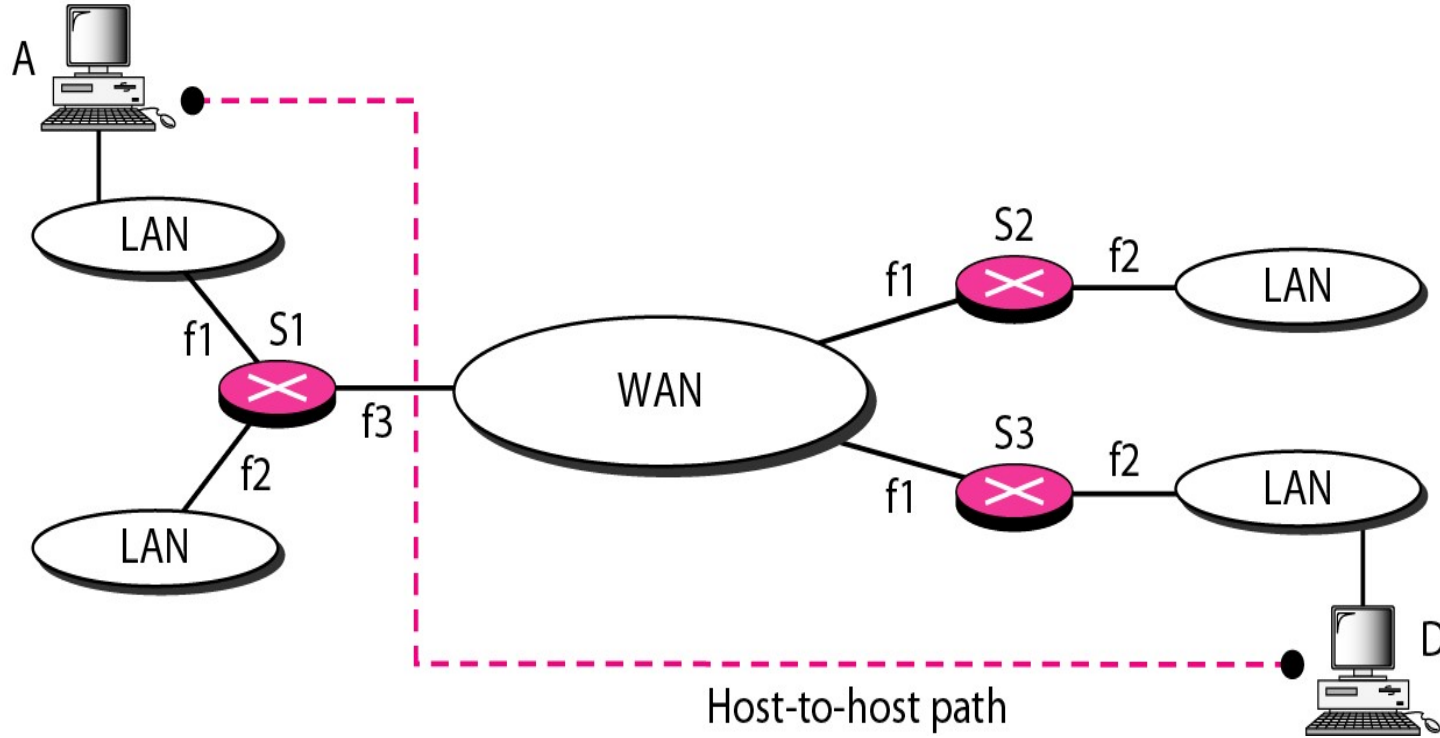
II YEAR IV SEM

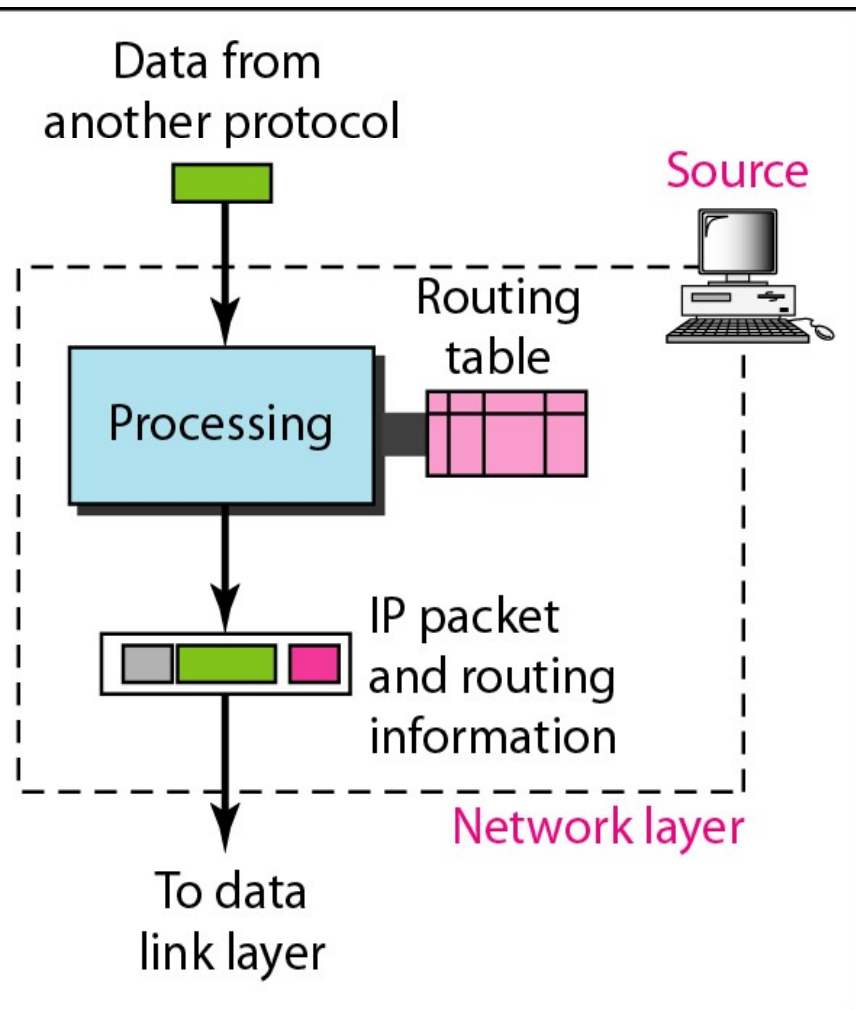
UNIT 3 – INTERNETWORKING AND ROUTING

TOPIC 16 –IP (IPv4)

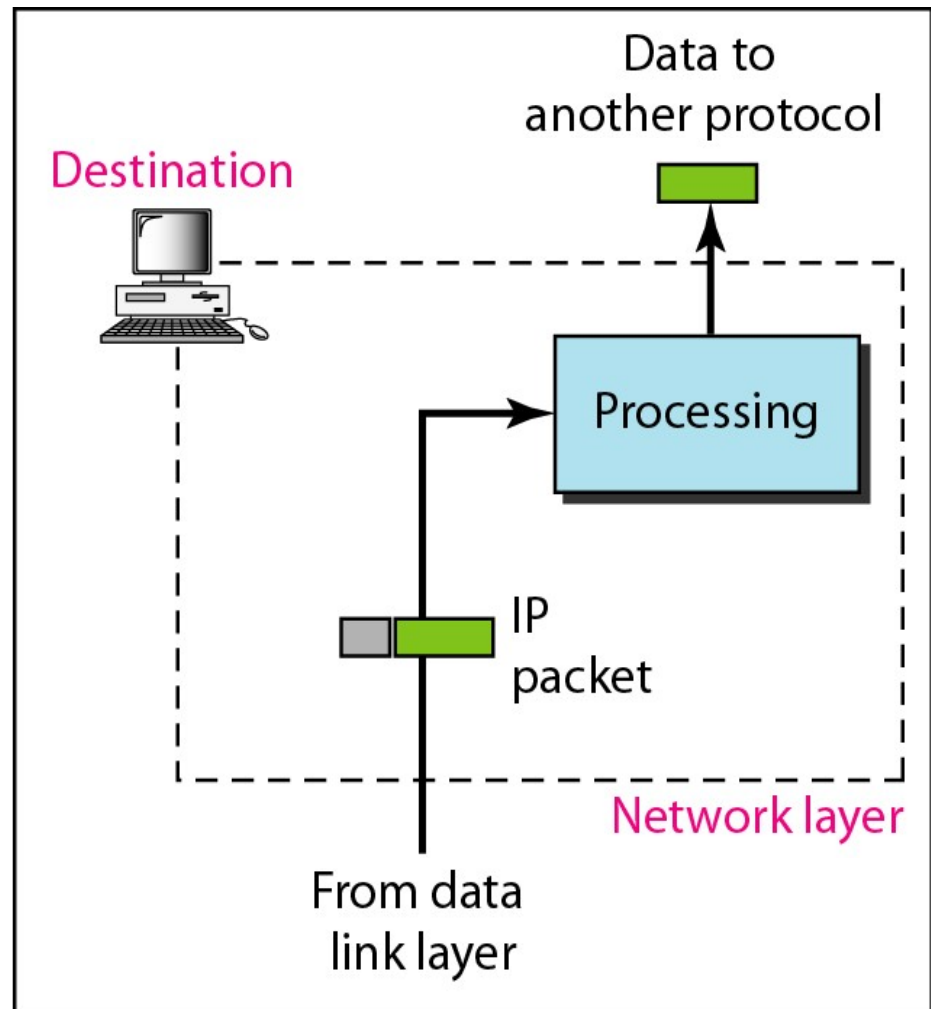
networking, *connecting* networks together to make an
network or an internet.





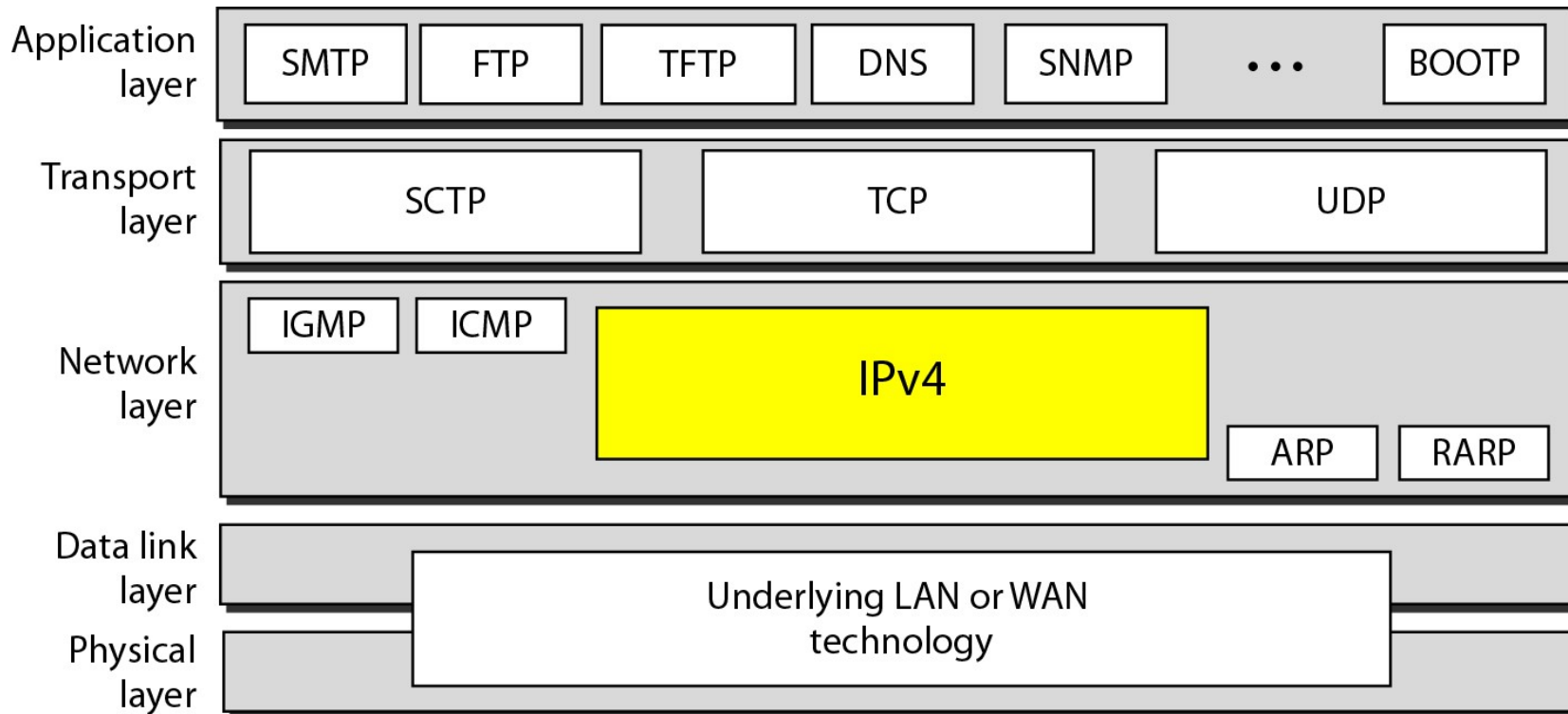


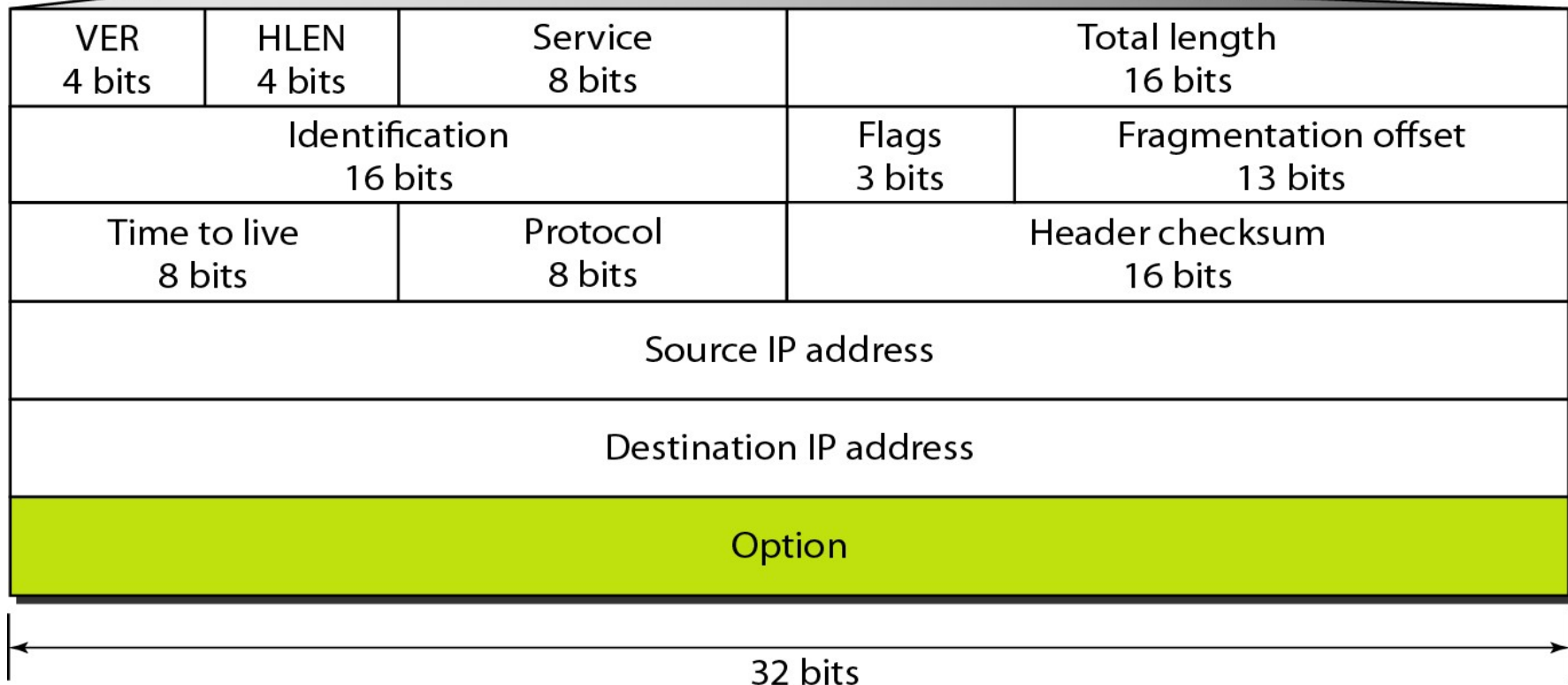
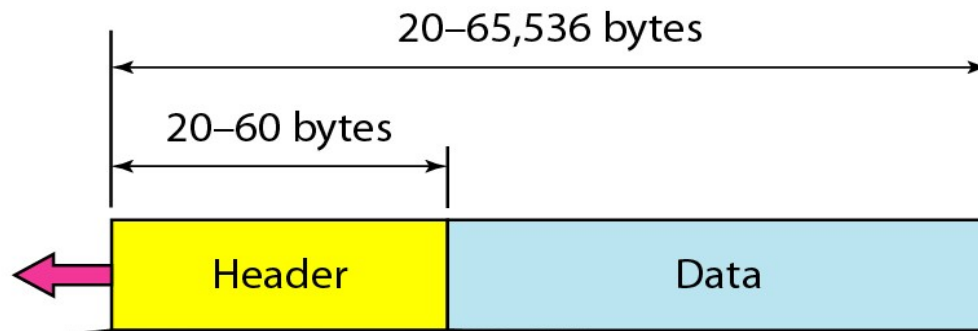
a. Network layer at source



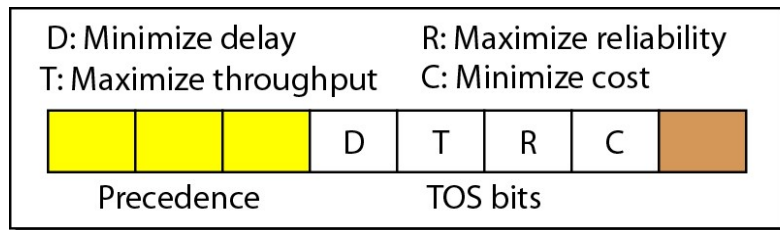
b. Network layer at destination

Internet Protocol version 4 (IPv4) is the delivery mechanism used by the TCP/IP protocols.

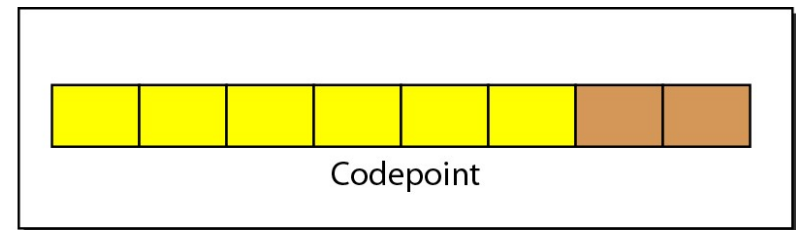




Service type and differentiated services

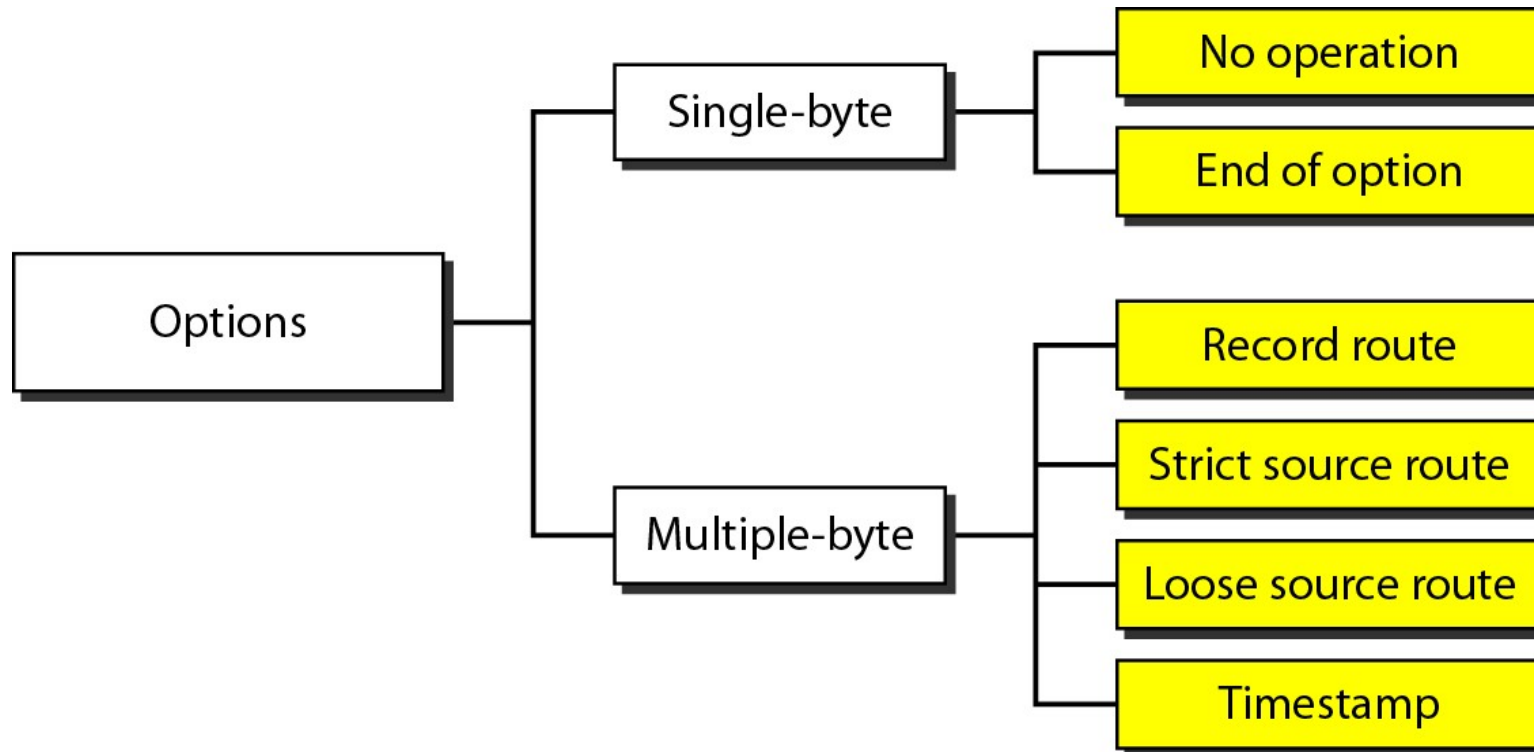


Service type



Differentiated services

<i>TOS Bits</i>	<i>Description</i>
0000	Normal (default)
0001	Minimize cost
0010	Maximize reliability
0100	Maximize throughput
1000	Minimize delay

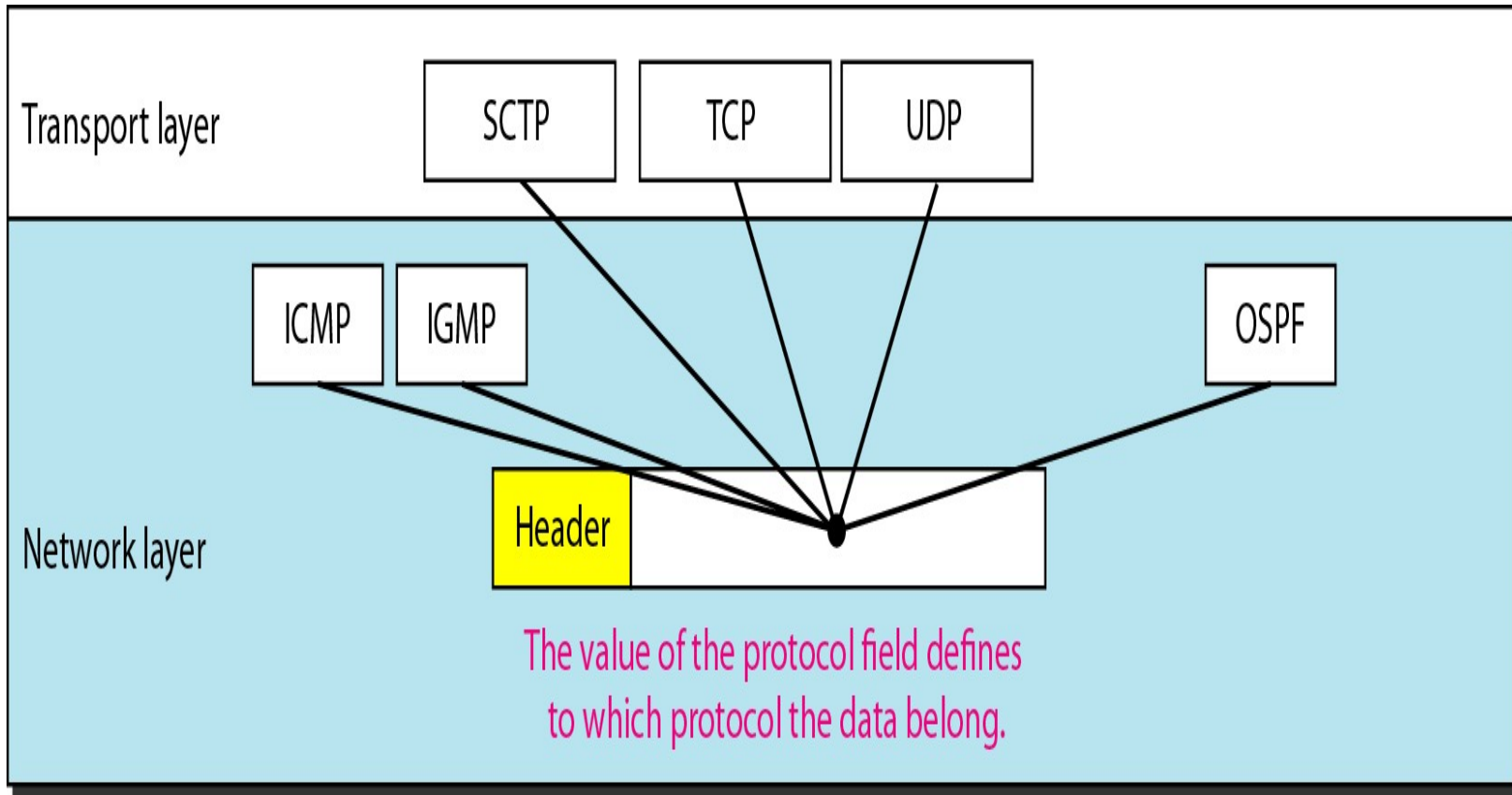


Default types of service

<i>Protocol</i>	<i>TOS Bits</i>	<i>Description</i>
ICMP	0000	Normal
BOOTP	0000	Normal
NNTP	0001	Minimize cost
IGP	0010	Maximize reliability
SNMP	0010	Maximize reliability
TELNET	1000	Minimize delay
FTP (data)	0100	Maximize throughput
FTP (control)	1000	Minimize delay
TFTP	1000	Minimize delay
SMTP (command)	1000	Minimize delay
SMTP (data)	0100	Maximize throughput
DNS (UDP query)	1000	Minimize delay
DNS (TCP query)	0000	Normal
DNS (zone)	0100	Maximize throughput

<i>Value</i>	<i>Protocol</i>
1	ICMP
2	IGMP
6	TCP
17	UDP
89	OSPF

Network layer and encapsulated data



The value in protocol field is 17, the transport layer protocol used

CP

DP

MP

MP

Which of these is not applicable for IP protocol?

connectionless

offer reliable service

offer unreliable service

does not offer error reporting

Which of the following field in IPv4 datagram is not related to fragmentation

flags

offset

OS

Thank You