



SNS COLLEGE OF TECHNOLOGY

Coimbatore-35

An Autonomous Institution

Accredited by NBA – AICTE and Accredited by NAAC – UGC
with 'A+' Grade

Approved by AICTE, New Delhi & Affiliated to Anna
University, Chennai

DEPARTMENT OF ELECTRONICS & COMMUNICATION ENGINEERING

19ECT201 –ELECTRICAL ENGINEERING & INSTRUMENTATION

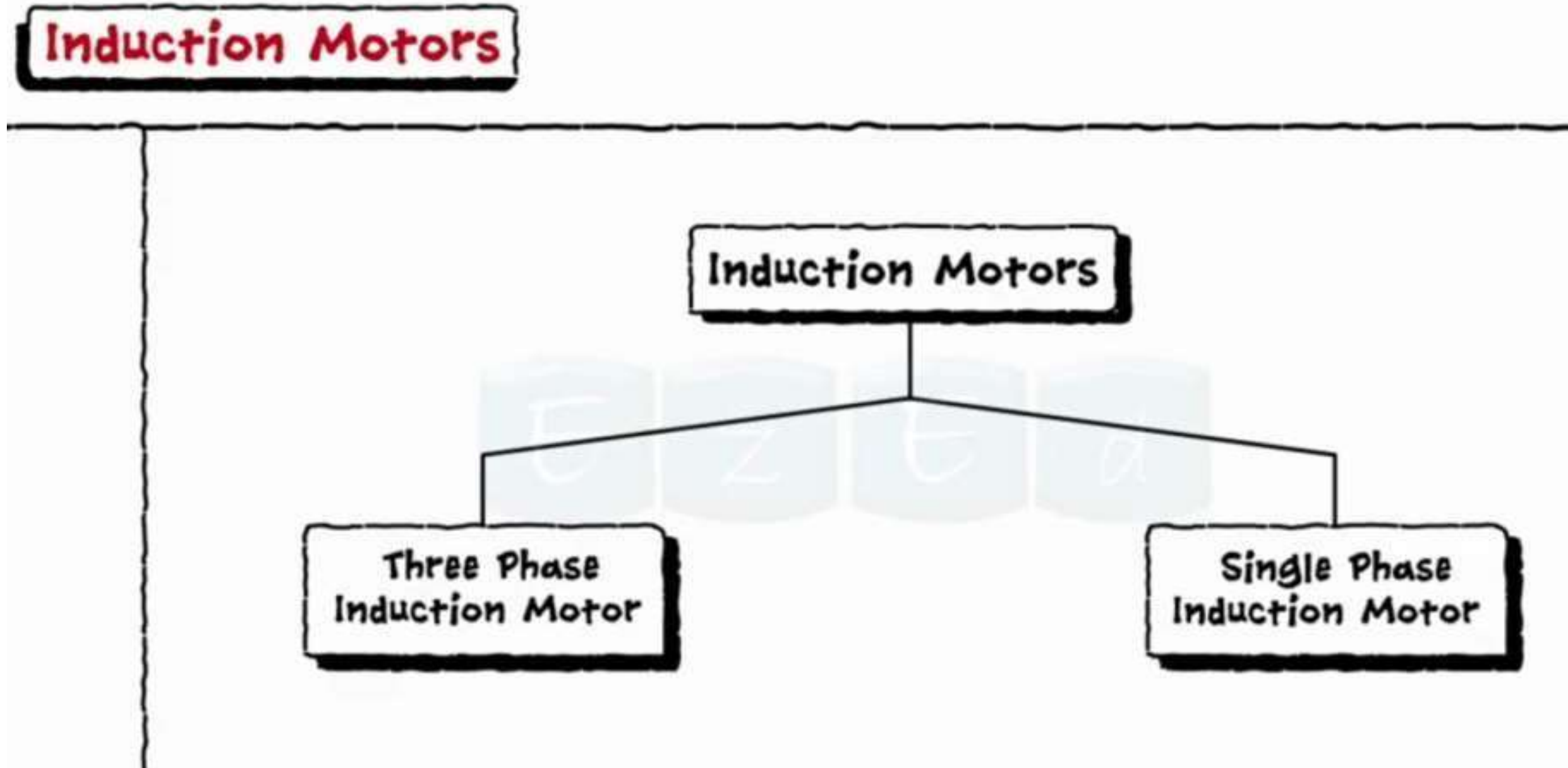
II YEAR/ III SEMESTER

UNIT 3 – INDUCTION MACHINES

TOPIC 1 – SINGLE PHASE INDUCTION MOTOR



INDUCTION MOTOR

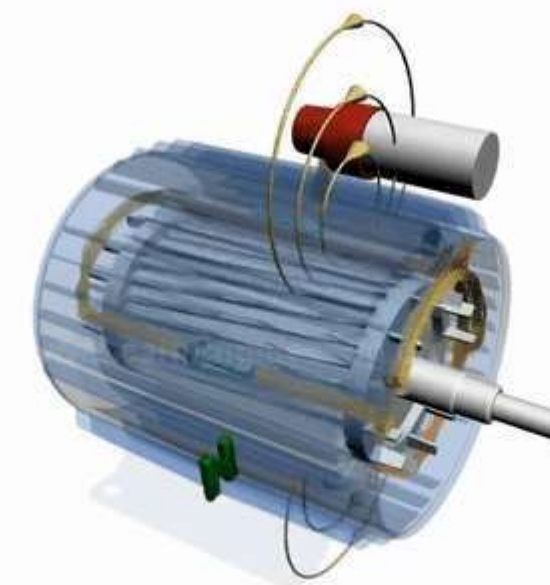
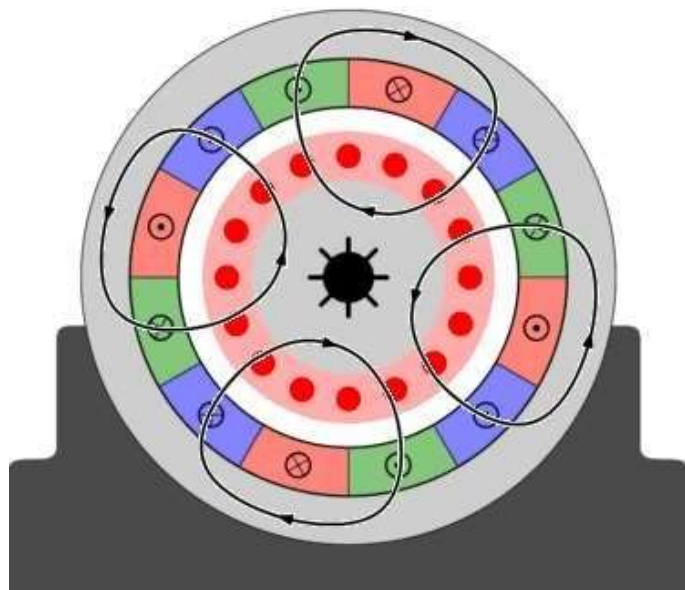




SINGLE PHASE INDUCTION MOTOR

In our society mostly single- ϕ techniques are used instead of 3 phases.

- The single- ϕ system is less expensive than the 3-phase system, and our home appliances are also designed to work on the single-phase system which also enhances its importance.
- The single- ϕ induction motor is easy to design, less costly, dependable, and can be easily repaired.
- As it has many benefits, so it's used in fans, washing machines, juicer machines, and some other types of machinery.





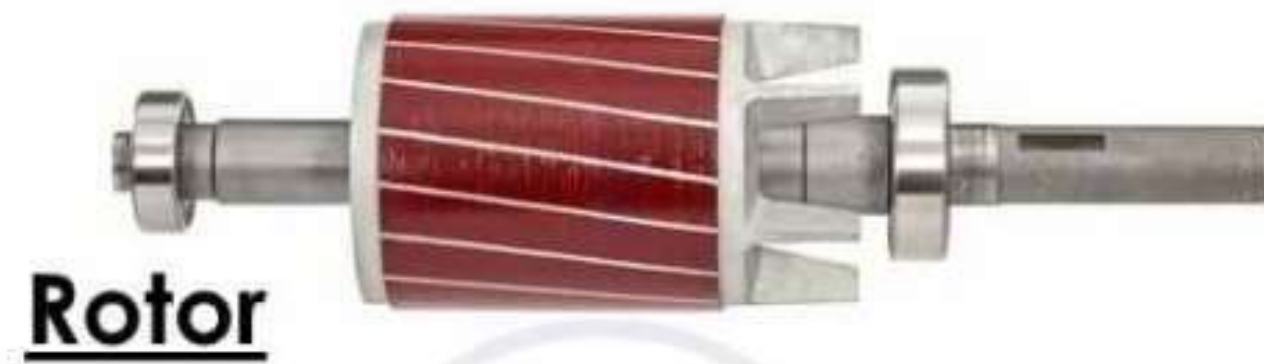
SINGLE PHASE INDUCTION MOTOR





SINGLE PHASE INDUCTION MOTOR

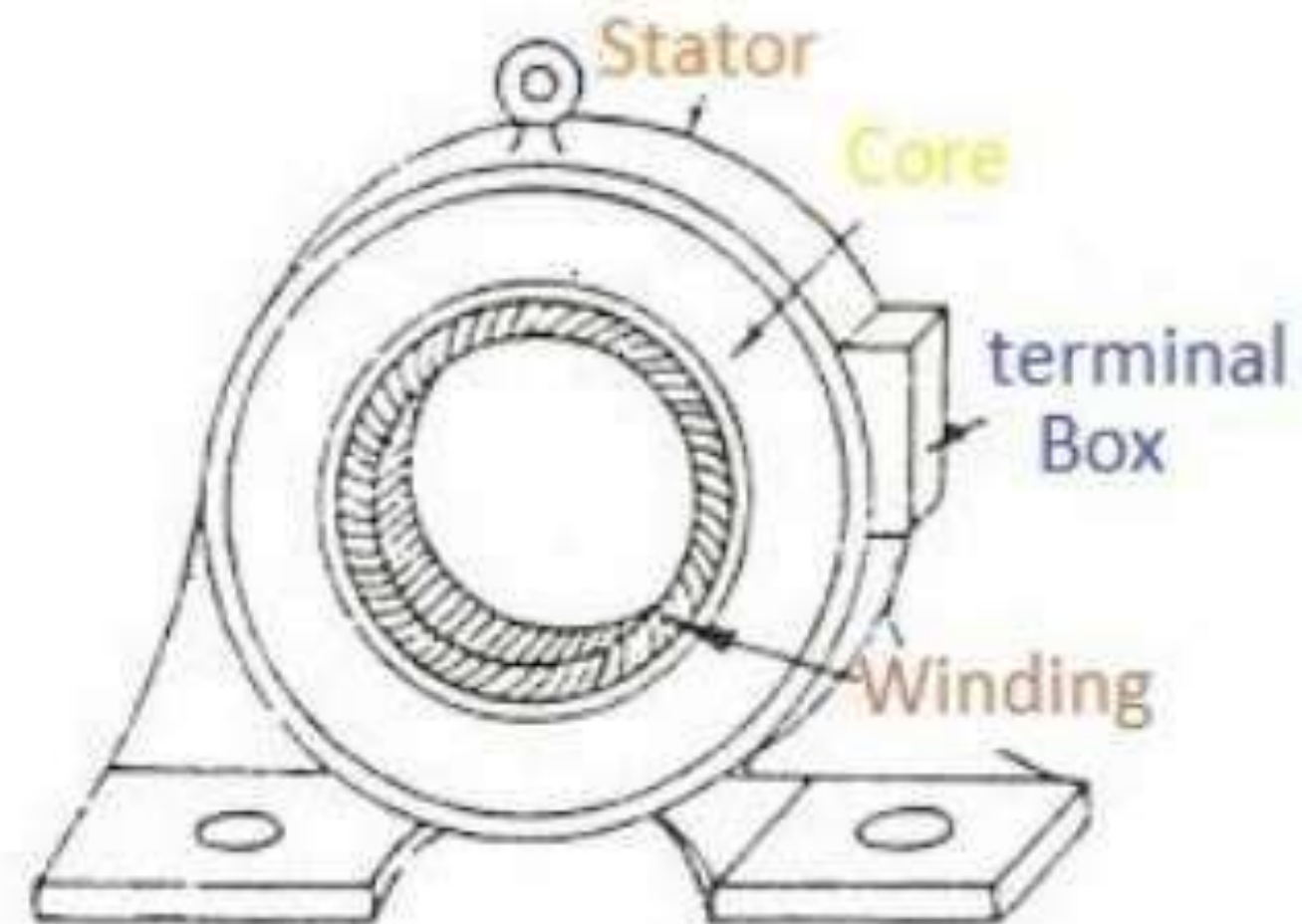
➤ The single-phase motors are more preferred over a three-phase induction motor for domestic, commercial applications. Because from utility, only single-phase supply is available. So, in this type of application, the three-phase induction motor cannot be used.





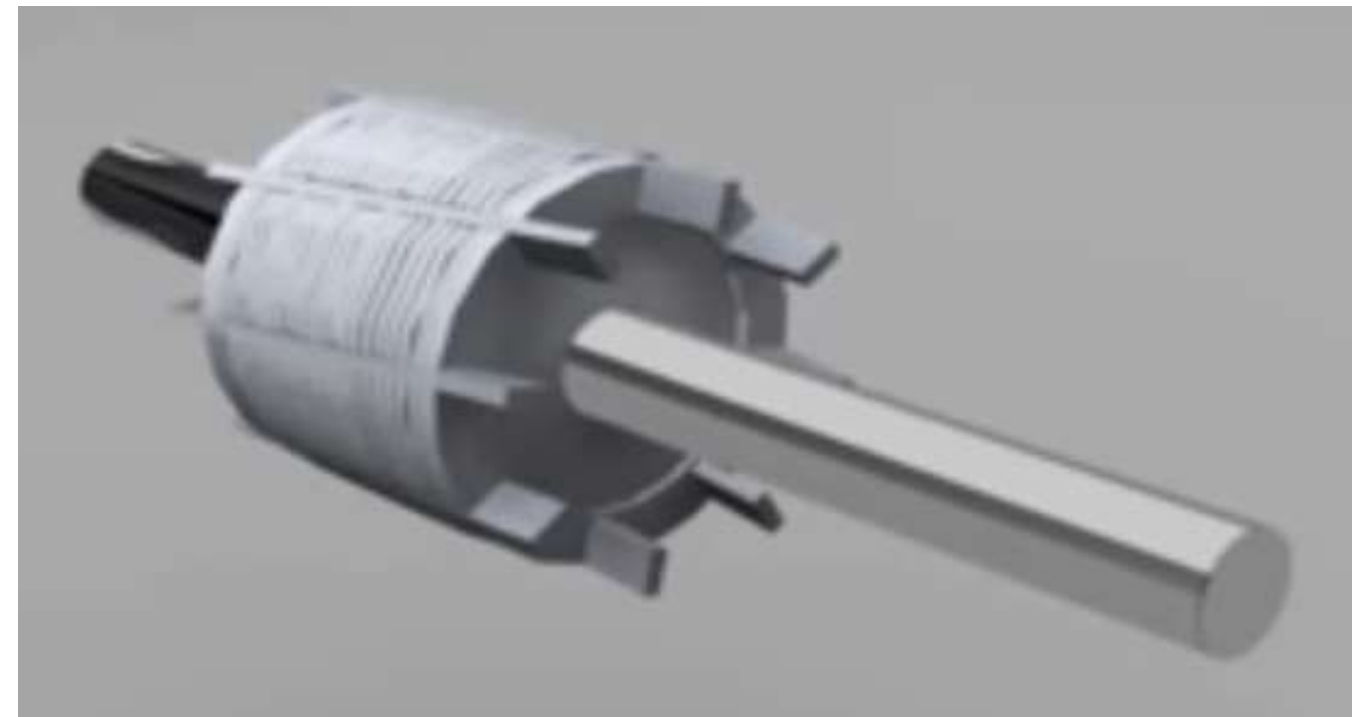
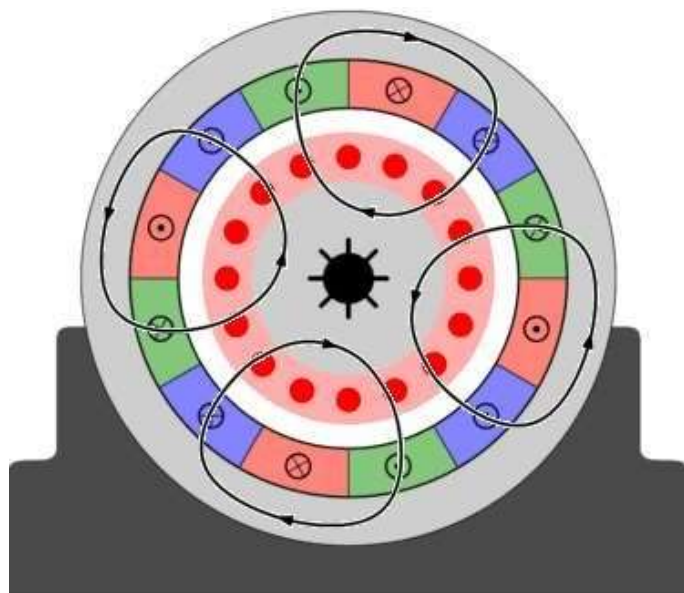
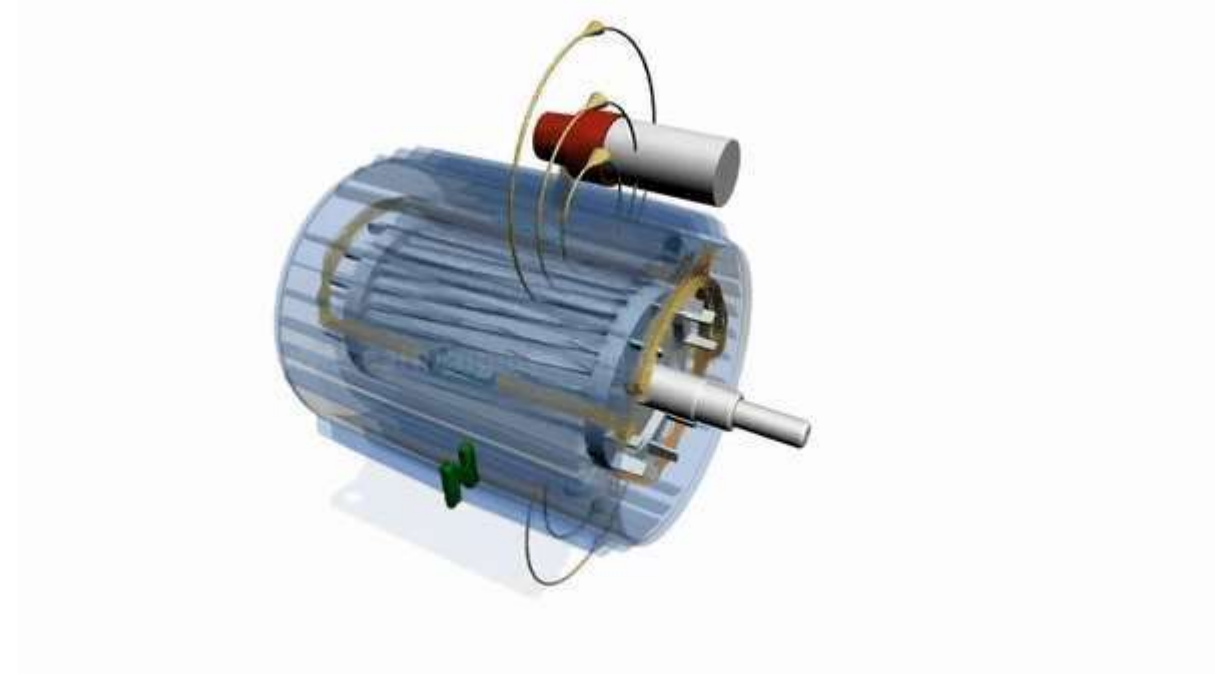
SINGLE PHASE INDUCTION MOTOR

Stator of Induction Motor





SINGLE PHASE INDUCTION MOTOR





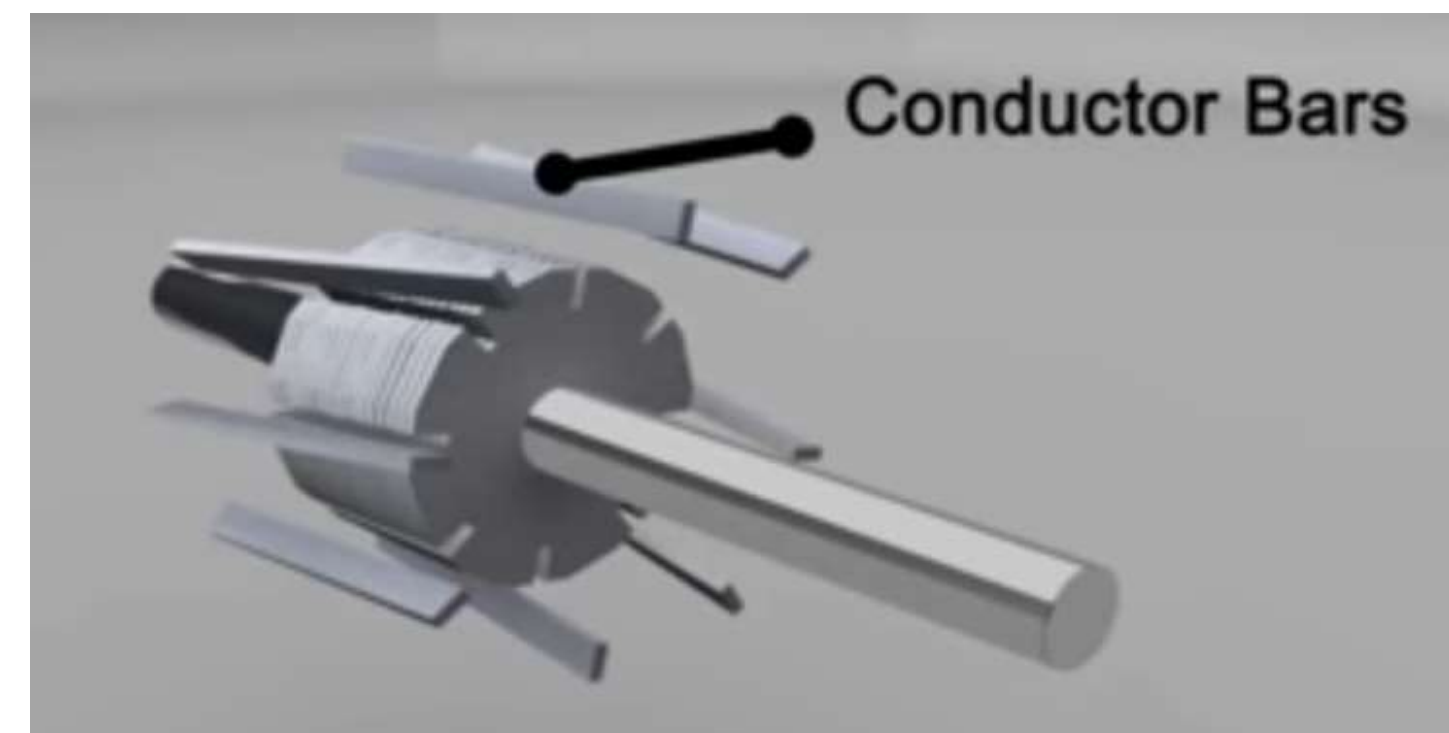
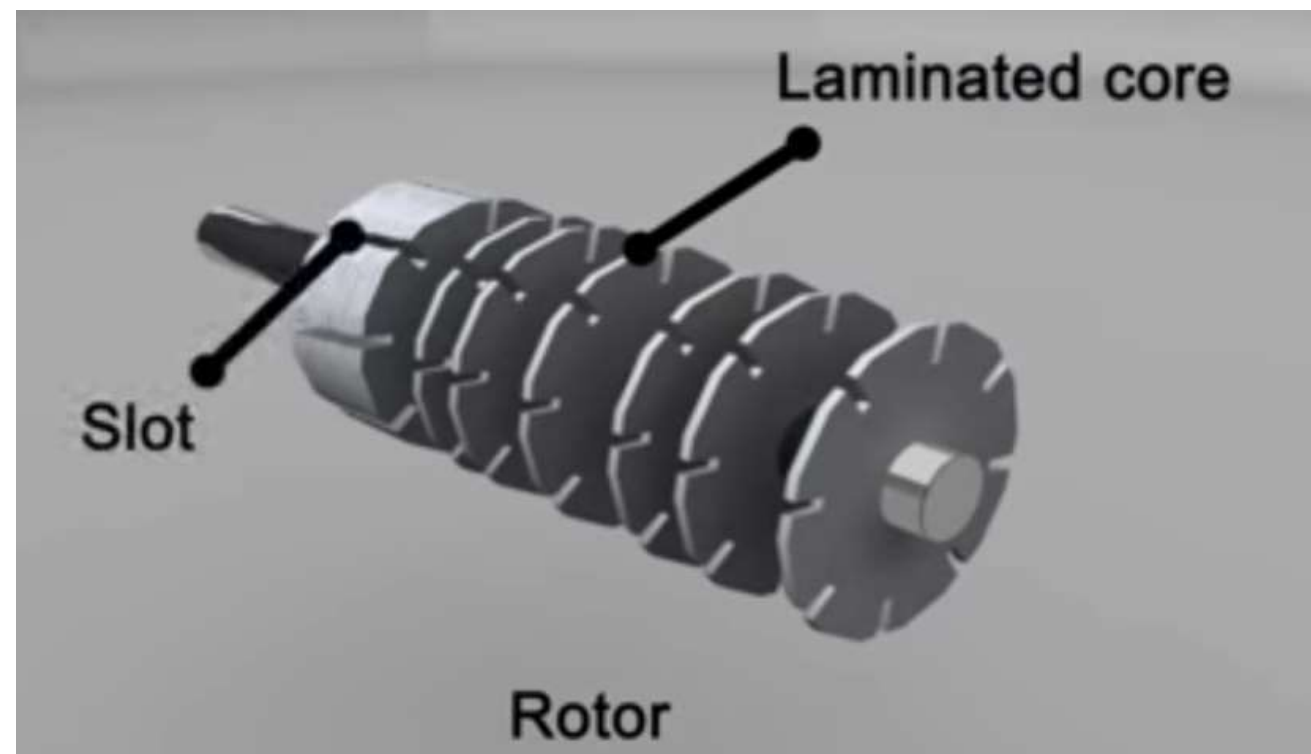
SINGLE PHASE INDUCTION MOTOR

In a single-phase induction motor, there are two winding are used in stator except in shaded-pole induction motor.

- One winding is the main winding (The single-phase supply is given to the stator winding (main winding))
- Second is auxiliary winding

ROTOR:

Instead of rotor winding, rotor bars are used and it is short-circuited at the end by end-rings.





Working of Single-phase Induction Motor



- Single-phase AC supply is given to the stator winding (main winding).
- The alternating current flowing through the stator winding produces magnetic flux. This flux is known as the main flux.
- Now we assume that the rotor is rotating and it is placed in a magnetic field produced by the stator winding.
- According to Faraday's law, the current starts flowing in the rotor circuit as it is a closed path. This current is known as rotor current.
- Due to the rotor current, the flux produced around the rotor winding. This flux is known as **rotor flux**.
- There are two fluxes; **main flux which is produced by stator** and second is the **rotor flux which is produced by the rotor**.
- Interaction between main flux and rotor flux, the torque is produced in the rotor and it starts rotating.

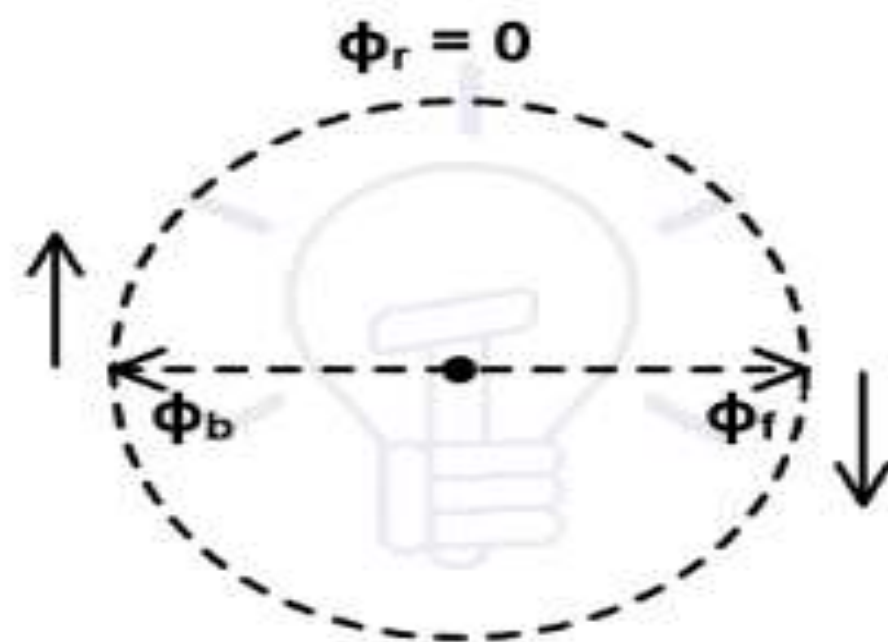


Contd..



- Let say Φ_m is a maximum field induced in the main winding.
- So, this field is divided into two equal parts and that is $\Phi_m/2$ and $\Phi_m/2$.
- Out of these two fields, one field Φ_f is rotating in an anticlockwise direction and the second field Φ_b is rotating in a clockwise direction.
- Therefore, the resultant field is zero.

$$\begin{aligned}\Phi_r &= \Phi_f - \Phi_b \\ &= (\Phi_m/2) - (\Phi_m/2) \\ &= 0\end{aligned}$$



- When a motor starts, two fields are induced as shown figure. These two fields are the same magnitude and opposite direction. So, resultant flux is zero.
- In this condition, the stator field cannot cut by rotor field and resultant torque is zero. So, the rotor cannot rotate but it produces humming.

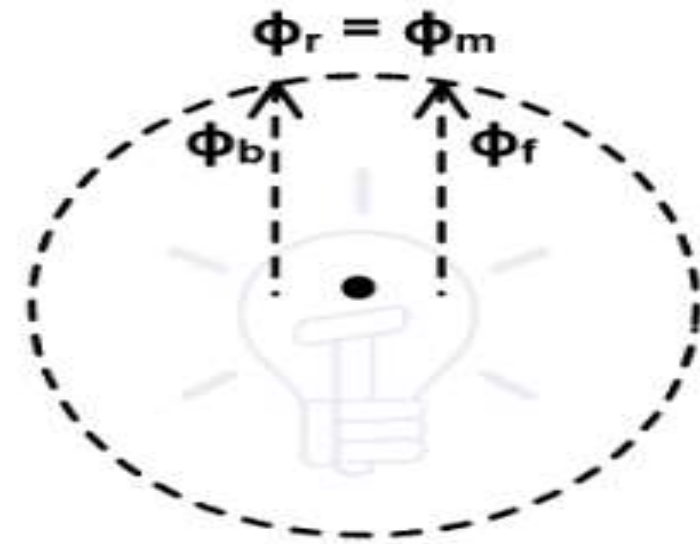


Contd...

Now consider after the rotation of 90° , both field are rotated and pointing in the same direction. Therefore, the resultant flux is a summation of both fields.

$$\Phi_r = \Phi_f + \Phi_b$$

$$\Phi_r = \frac{\Phi_m}{2} + \frac{\Phi_m}{2}$$



- In this condition, the resultant field is equal to the maximum field induced by the stator. Now, both fields rotate separately and it is alternative in nature.
- So, both fields cut by the rotor circuit and EMF induced in the rotor conductor.
- Due to this EMF, the current starts flowing in the rotor circuit and it induces a rotor flux.
- Due to the interaction between stator flux and rotor flux motor continues to rotate. **This theory is known as Double Revolving Theory or double field revolving theory.**
- single-phase induction motor is not self-starting.



Types

The single-phase induction motors are classified as;

Split Phase Induction Motor

Shaded Pole Induction Motor

Capacitor Start Induction Motor

Capacitor Start Capacitor Run Induction Motor

Permanent Capacitor Induction Motor

Split Phase Induction Motor:

In this type of motor, an extra winding is wound on the same core of the stator. So, there are two windings in the stator.

One winding is known as the main winding or running winding and second winding is known as starting winding or auxiliary winding.

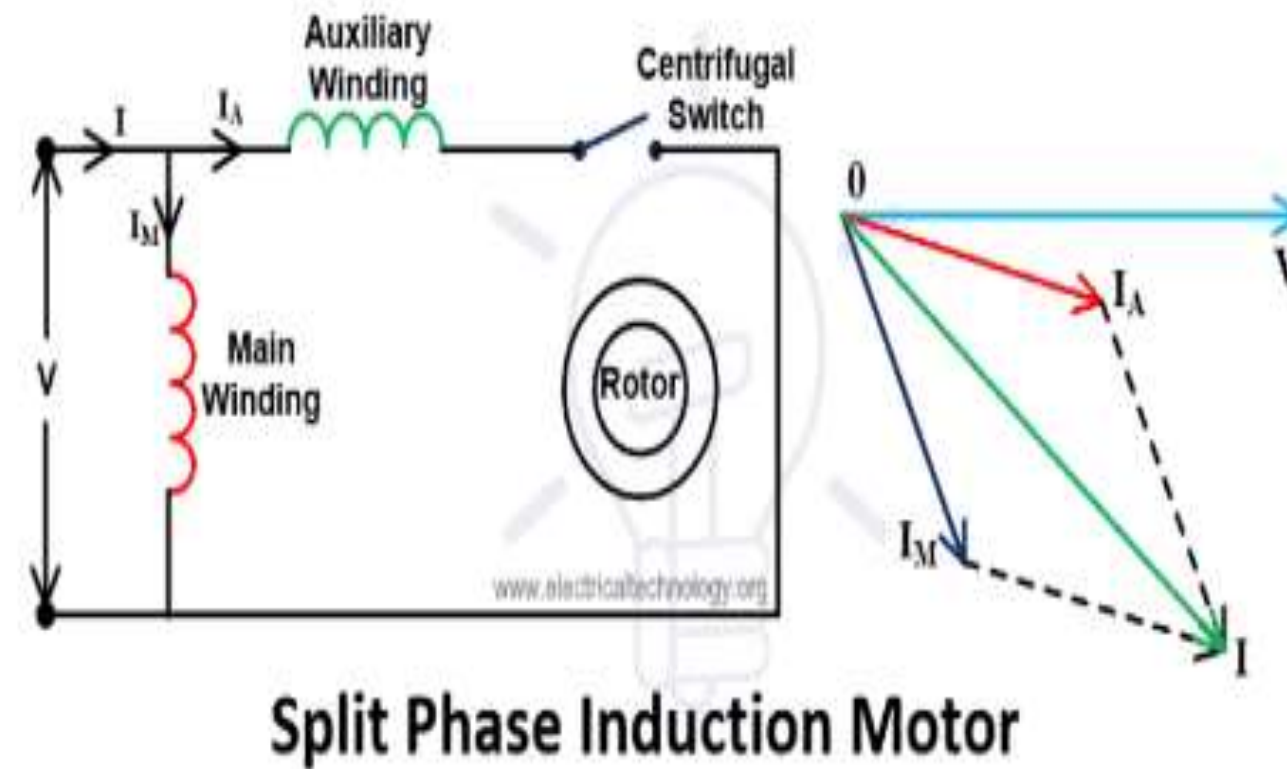
A centrifugal switch is connected in series with the auxiliary winding.

The auxiliary winding is highly resistive winding and the main winding is highly inductive winding. The auxiliary winding has few turns with a small diameter.



Contd...

- The aim of auxiliary winding is to create a phase difference between both fluxes produced by the main winding and rotor winding.





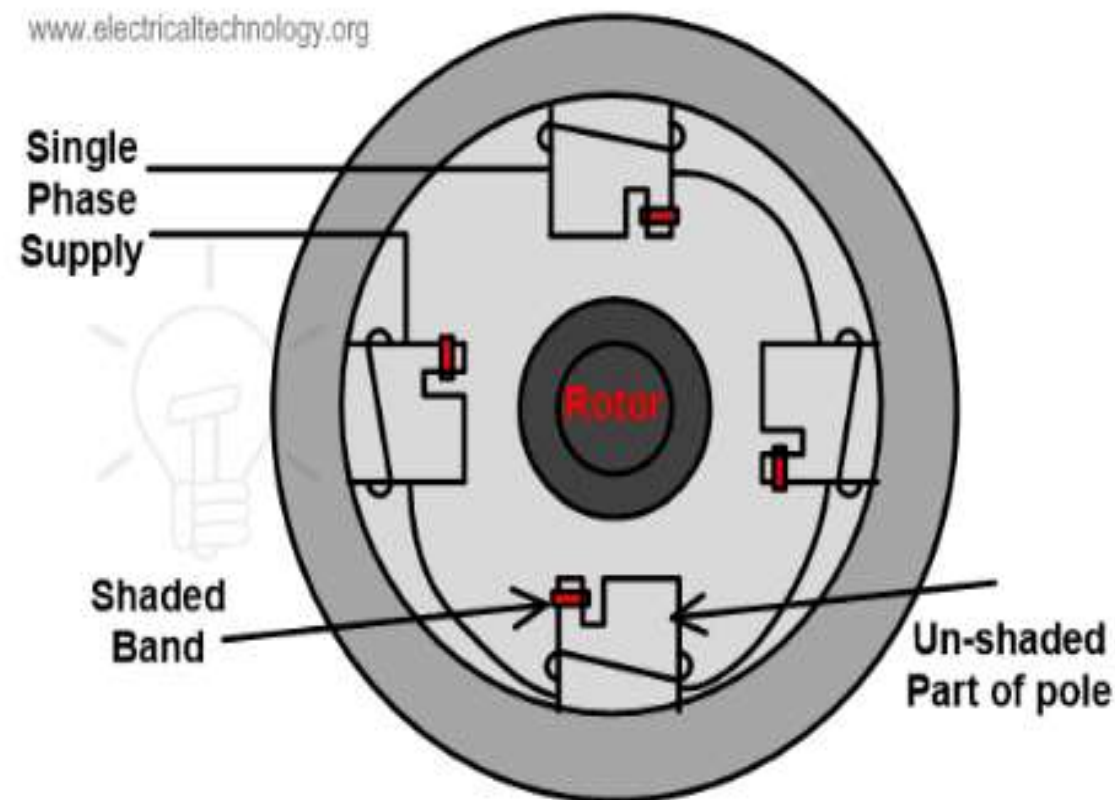
Contd...

- The connection diagram is as shown in the above figure.
 - The current flowing through the main winding is I_M and current flowing through the auxiliary winding is I_A . Both windings are parallel and supplied by voltage V .
 - The auxiliary winding is highly resistive in nature. So, the current I_A is almost in phase with supply voltage V .
 - The main winding is highly inductive in nature. So, the current I_M lags behind the supply voltage with a large angle.
 - The total stator flux is induced by the resultant current of these two winding.
 - As shown in the phasor diagram, the resultant current is represented as (I) . It will create a phase difference between fluxes and resultant flux produces a rotating magnetic field. And the motor starts rotating.
 - Auxiliary winding only uses to start the motor. This winding is not useful in running condition. When the motor reaches **75 to 80 % of synchronous speed**, the centrifugal switch opens. So, the auxiliary winding is out from the circuit. And motor runs on only main winding. The phase difference creates by this method is very small. Hence, the starting torque of this motor is poor.
- So, this motor is used in low starting torque applications like a fan, blower, grinder, pumps, etc



Shaded Pole Induction Motor

- This type of motor does not require auxiliary winding.
- A pole of this motor is divided into two parts; shaded part and un-shaded part. It can be created by cutting pole into unequal distances.
- A **copper ring** is placed in the small part of the pole. This ring is a highly inductive ring and it is known as a **shaded ring** or shaded band.
- The part at which **shaded ring** is placed is known as **shaded part** of the pole and the remaining part is an **unshaded part**



Shaded Pole Induction Motor



Contd..

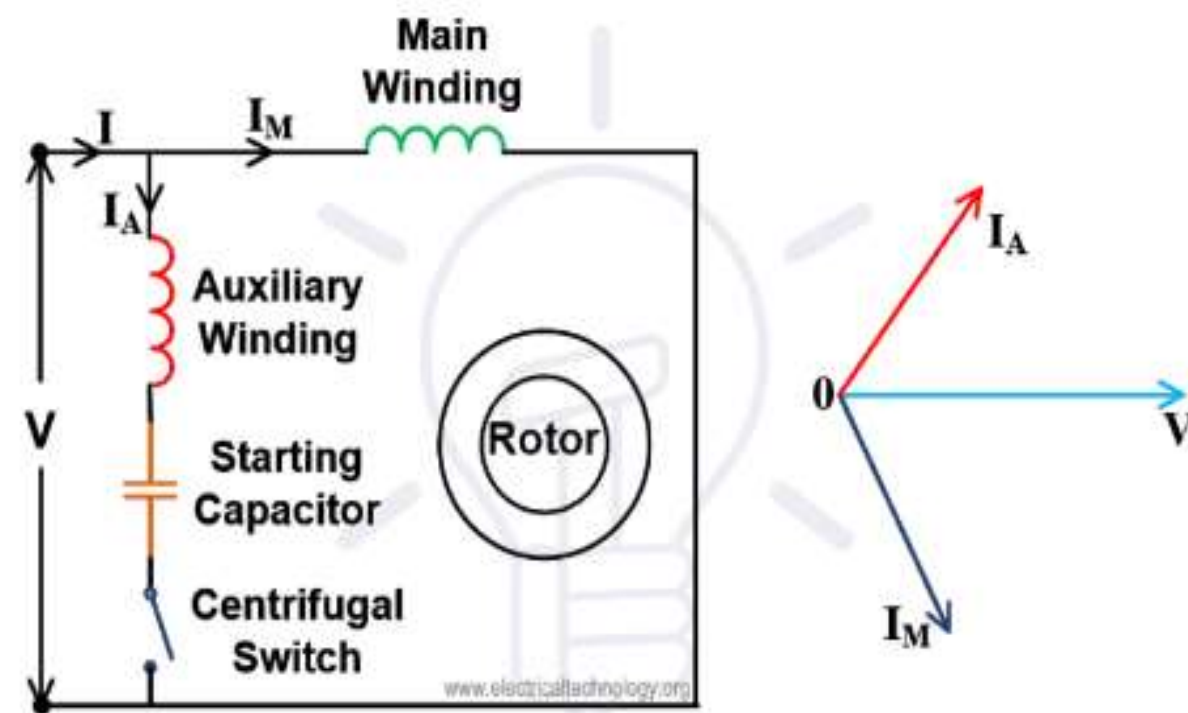


- When an alternating supply passing through the stator winding, an alternating flux induced in the stator coil.
- Due to this flux, some amount of flux will link with shaded ring and current will flow through a shaded ring.
- According to Len's law, the current passing through coil is opposite in nature, and flux produced due to this coil will oppose the main flux.
- The shaded ring is a highly inductive coil. So, it will oppose the main flux when both fluxes are in the same direction and it will increase the main flux when both fluxes are in the opposite direction.
- So, it will create a phase difference between the main flux (stator flux) and rotor flux.
- By this method, a phase difference is very less. Hence, the starting torque is very less. It is used in applications like toy motor, fan, blower, record player, etc.



Capacitor Start Induction Motor

- This type of motor is an advanced version of the Split phase induction motor. The disadvantage of split-phase induction is low torque production. Because in this motor, the phase difference created is very less.
- This disadvantage compensates in this motor with the help of a capacitor connected in series with auxiliary winding.





Contd..

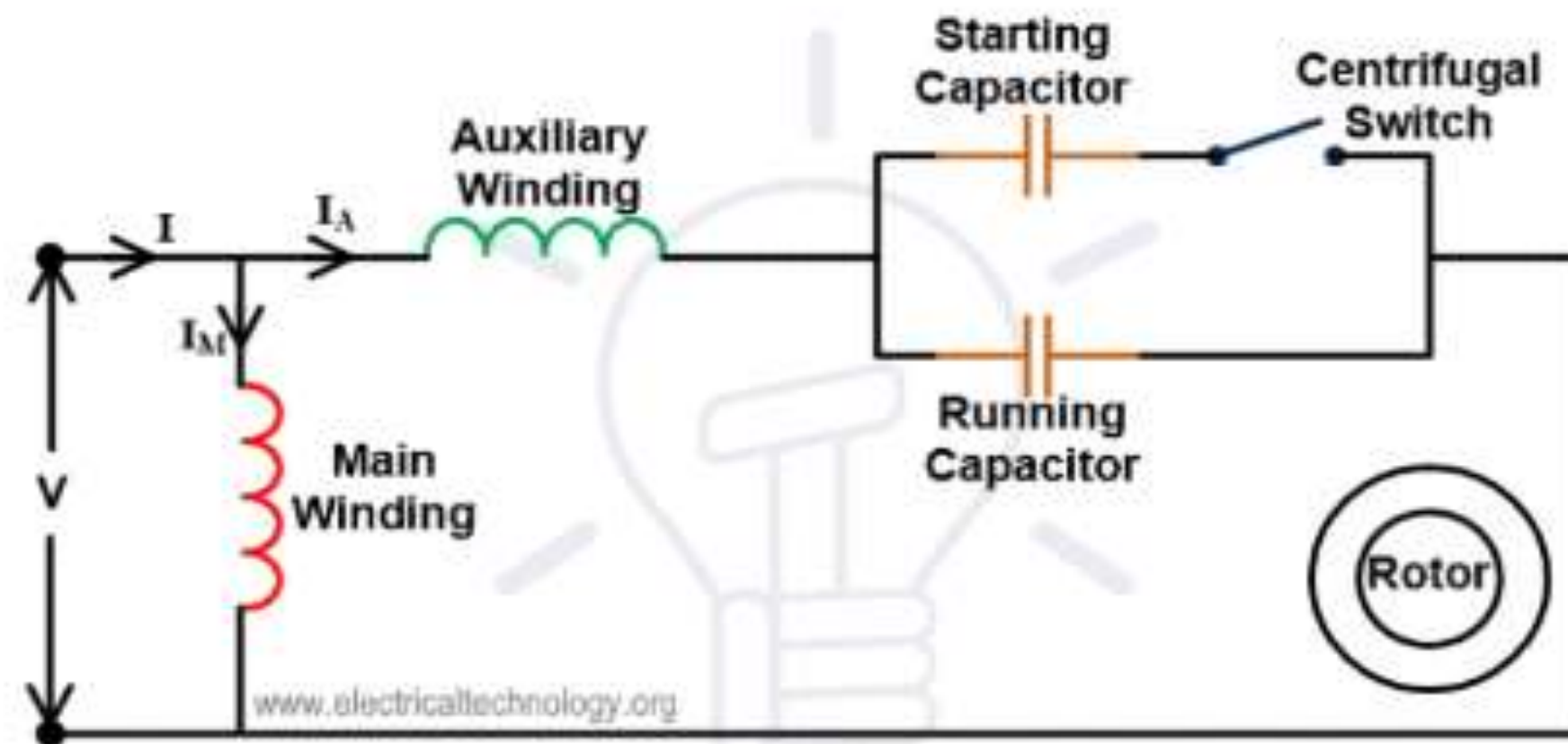


- The capacitor used in this motor is a dry-type capacitor. This is designed to use with alternating current. But this capacitor is not used for continuous operation.
- a centrifugal switch is used which disconnects the capacitor and auxiliary winding when the motor runs 75-80% of synchronous speed.
- The current through auxiliary will lead the supply voltage by some angle. This angle is more than the angle increased in a split-phase induction motor.
- the **starting torque of this motor is very high** compared to the split-phase induction motor. The starting torque of this motor is 300% more than the full load torque.
- Due to high starting torque, this motor is used in the applications where high starting torque is required like, a Lath machine, compressor, drilling machines, etc



Capacitor Start Capacitor Run Induction Motor

- In this type of motor, two capacitors are connected in parallel with series in auxiliary winding.
- Out of these two capacitors, one capacitor is used only for starting (starting capacitor) and another capacitor is connected permanently with the motor (running capacitor).





Contd...



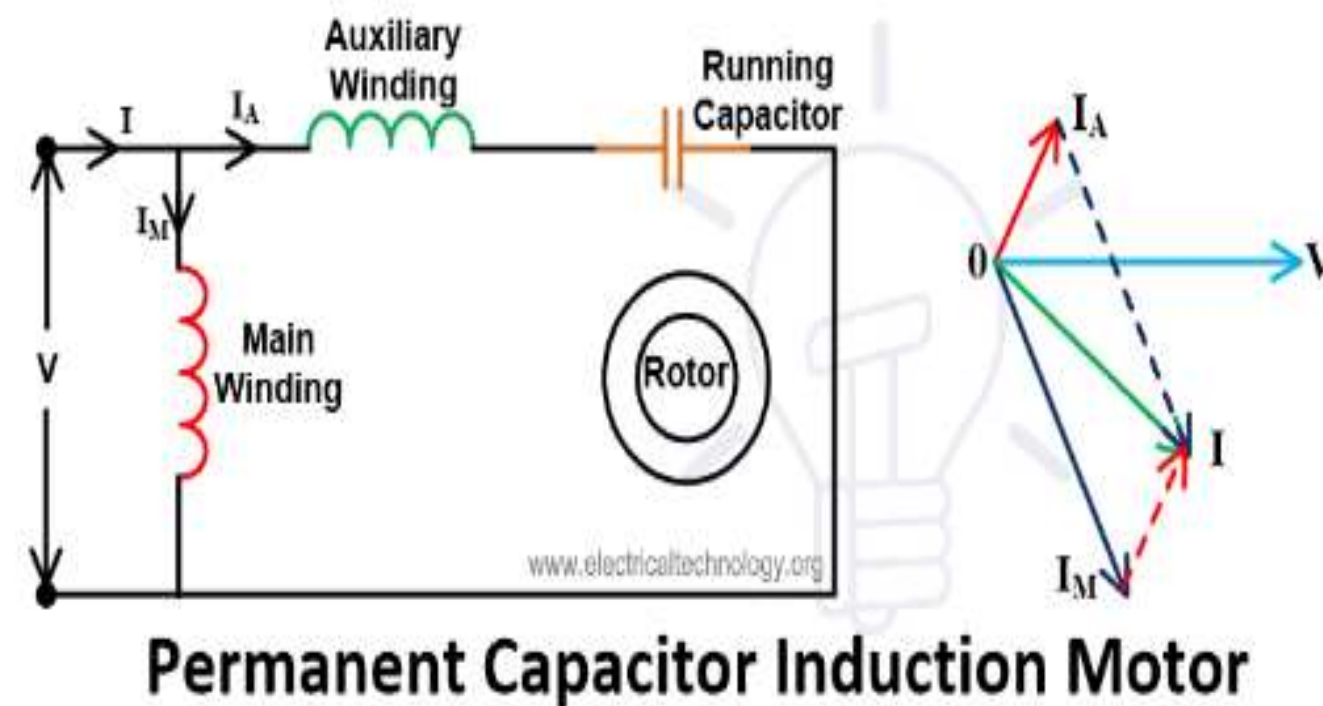
- The starting capacitor has high capacitance value and a running capacitor has low capacitance value.
- The starting capacitor is connected in series with a centrifugal switch that will open when the speed of the motor is 70% of synchronous speed.
- During running conditions, both running winding and auxiliary winding connected with motor. The starting torque and efficiency of this motor are very high.
- Therefore, this can be used in the application where high starting torque is required like a refrigerator, air conditioner, ceiling fan, compressor, etc.



Permanent Capacitor Induction Motor

The low-value capacitor is connected constantly with the auxiliary winding. Here, the capacitor has low capacitance.

The capacitor is used to increase the starting torque but it is low compared to the capacitor start induction motor.





The power factor and efficiency of this motor are very high and also it has a high starting torque that is 80% of full load torque.

This type of motor is used in the application like an exhaust fan, blower, heater, etc.



Applications of Single Phase Induction Motors

Single phase motors are not self starting and less efficient than [three phase induction motor](#) and available in 0.5HP to 15HP and still they are widely used for multiple purposes such as:

Clocks

Refrigerators, freezers and heaters

Fans, table fans, ceiling fan, exhaust fans, air coolers and water coolers.

Blowers

Washing machines

machine tools

Dryers

Type writers and printers

Water pumps and submersible

Computers

Grinders

Drilling machines

Other Home instrument, equipment and devices etc.



*Thank
You*

