



SNS COLLEGE OF TECHNOLOGY

Coimbatore-35
An Autonomous Institution



Accredited by NBA – AICTE and Accredited by NAAC – UGC with 'A+' Grade
Approved by AICTE, New Delhi & Affiliated to Anna University, Chennai

DEPARTMENT OF ELECTRONICS AND COMMUNICATION ENGINEERING

19ECB231 – DIGITAL ELECTRONICS

II YEAR/ III SEMESTER

UNIT 1 – MINIMIZATION TECHNIQUES AND LOGIC GATES

TOPIC 8 – LOGIC GATES



LOGIC GATES

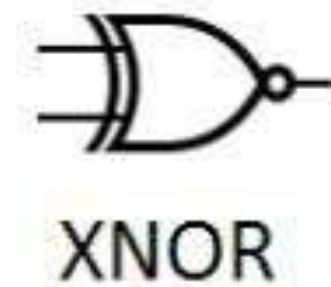
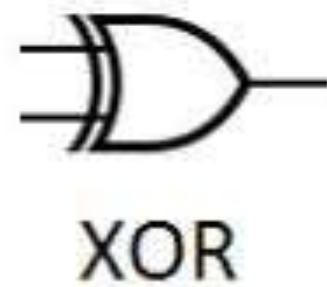
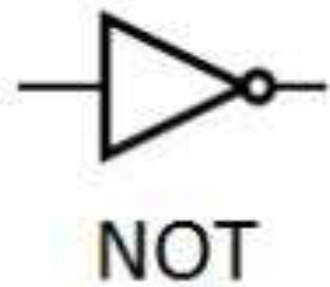
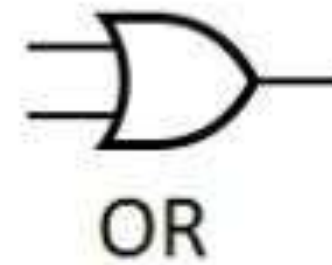
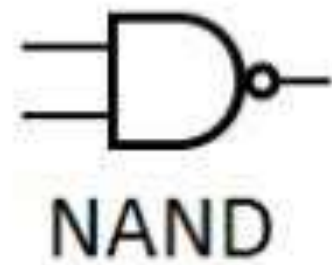
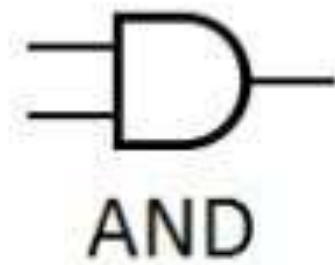


- AND
- OR
- NOT
- NAND
- NOR
- XOR
- XNOR



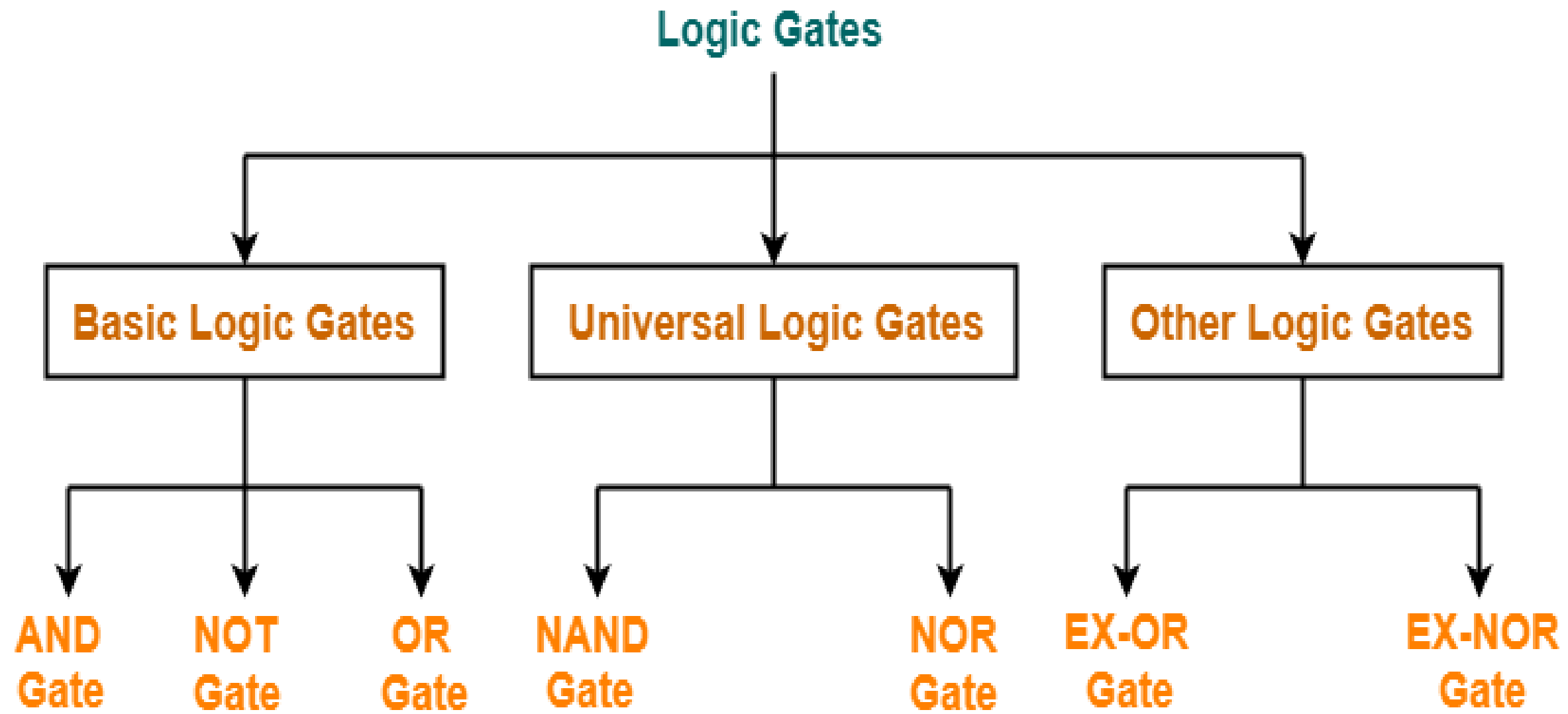
WHAT IS LOGIC GATE?

- A Logic Gate is an idealized or physical electronic device implementing a boolean function, a logical operation performed on one or more binary inputs that produce a single binary output.



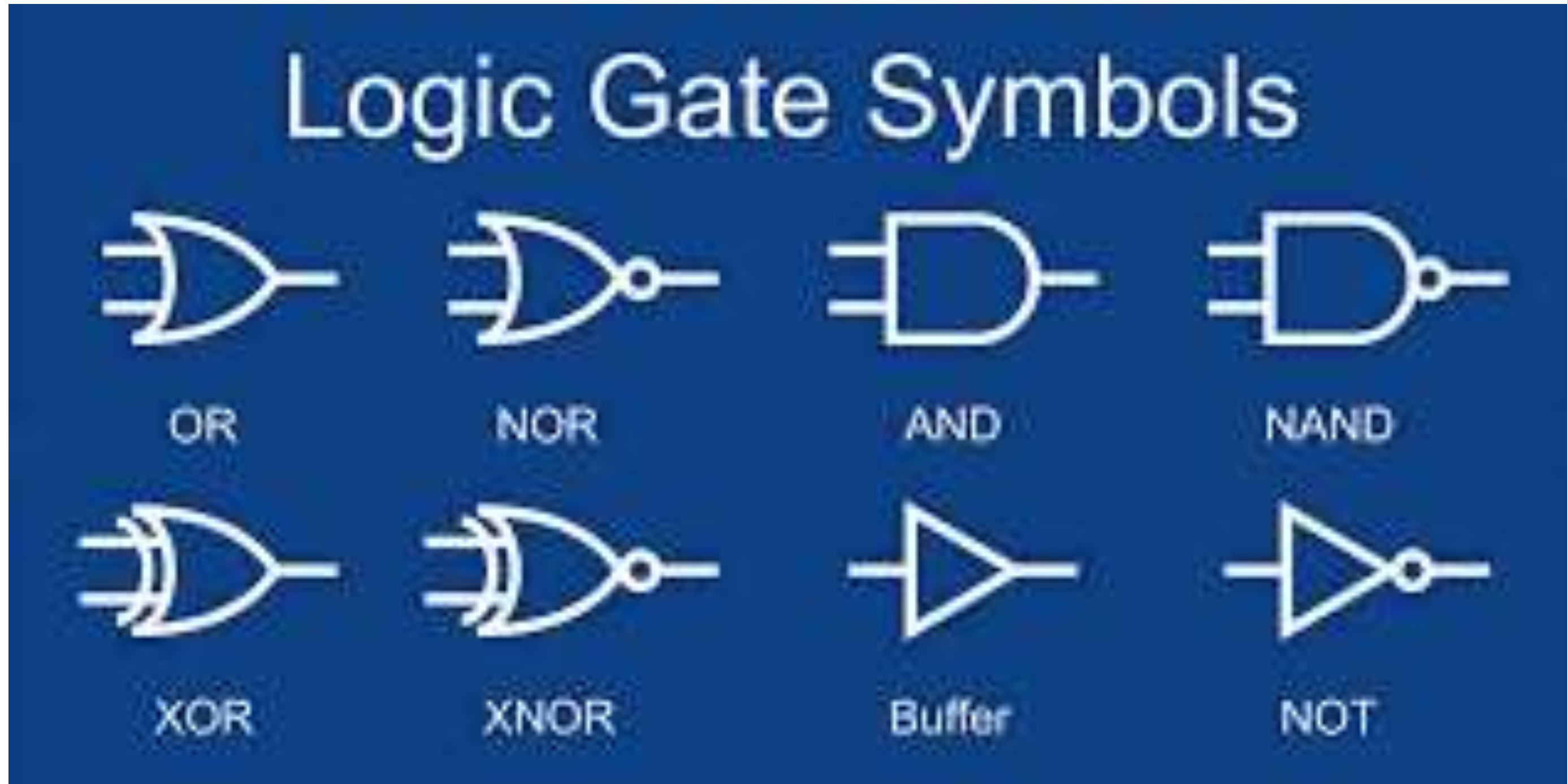


CLASSIFICATION OF LOGIC GATES



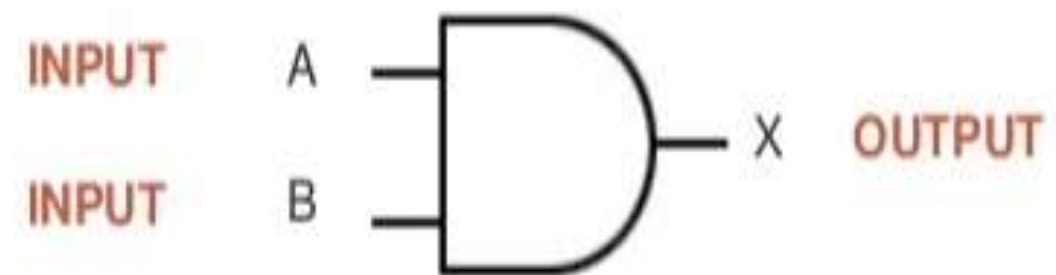


LOGIC GATE-SYMBOLS



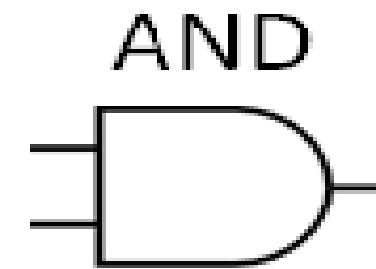


AND GATE



The output will be positive (true) when both inputs (the input one AND the input two) are positive (true).

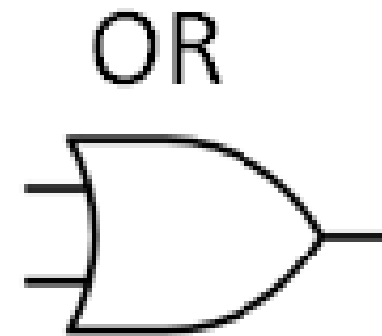
$$X = A \text{ AND } B$$



INPUT		OUTPUT
A	B	
0	0	0
1	0	0
0	1	0
1	1	1



OR GATE



INPUT		OUTPUT
A	B	
0	0	0
1	0	1
0	1	1
1	1	1

In Boolean Algebra the OR function is the equivalent of addition so its output state represents the addition of its inputs.

In Boolean Algebra the OR function is represented by a “plus” sign (+) so for a two input OR gate the Boolean equation is given as:

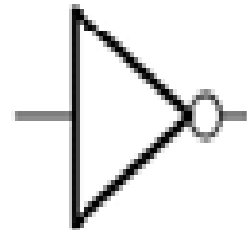
$$Q = A+B,$$

that is Q equals either A OR B.



NOT GATE

NOT



INPUT	OUTPUT
A	
0	1
1	0

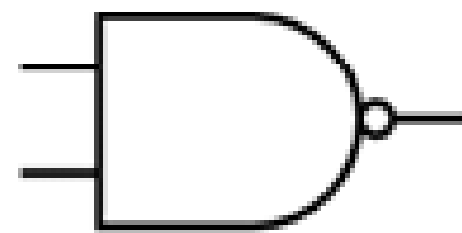
The NOT function is not a decision making logic gate like the AND, or OR gates, but instead is used to invert or complement a digital signal. In other words, its output state will always be the opposite of its input state.



NAND GATE



NAND



INPUT		OUTPUT
A	B	
0	0	1
1	0	1
0	1	1
1	1	0

The NAND function is the Inverse of AND gate



NOR GATE

NOR



INPUT		OUTPUT
A	B	
0	0	1
1	0	0
0	1	0
1	1	0

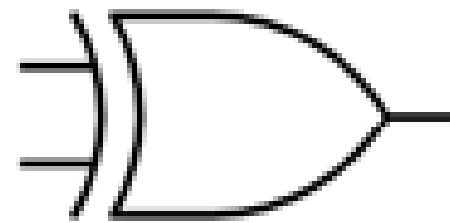
The NOR function is the Inverse of OR gate



EX-OR GATE

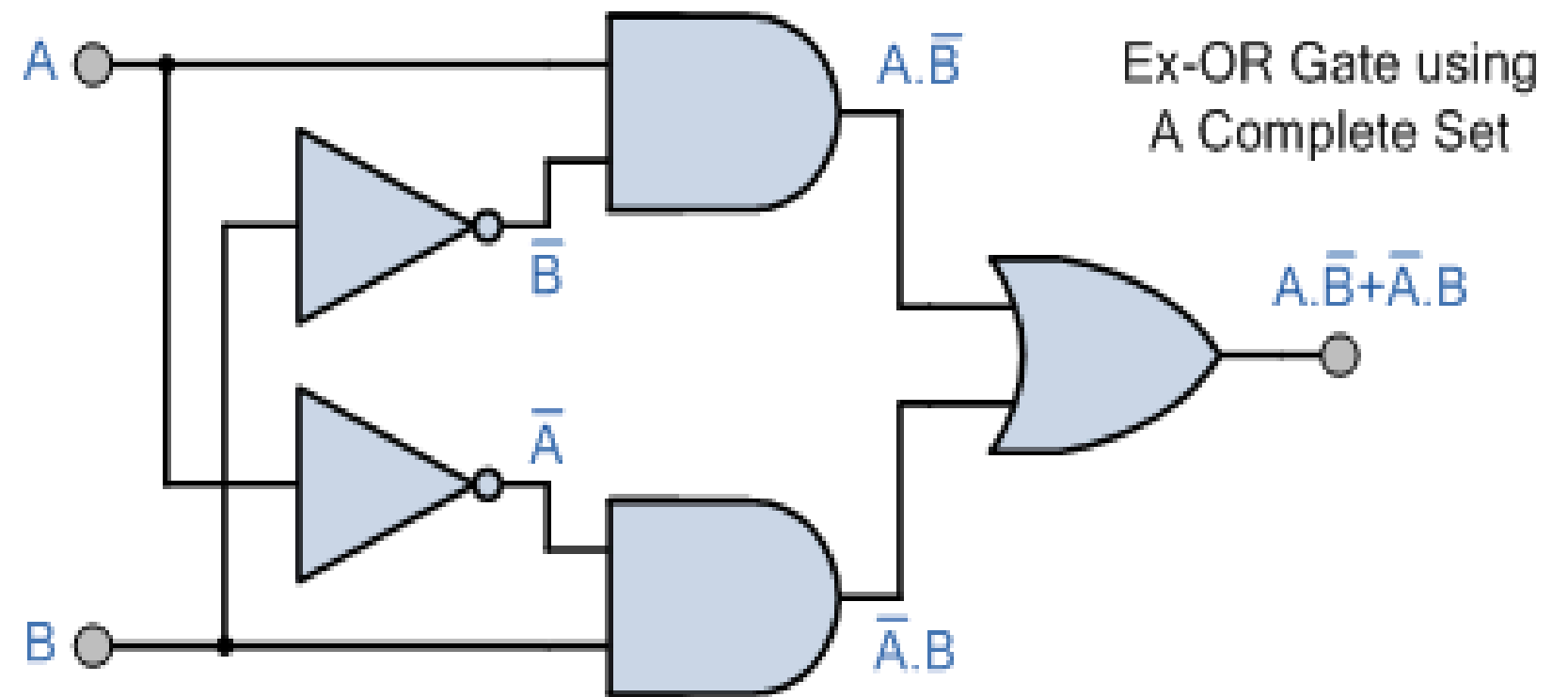
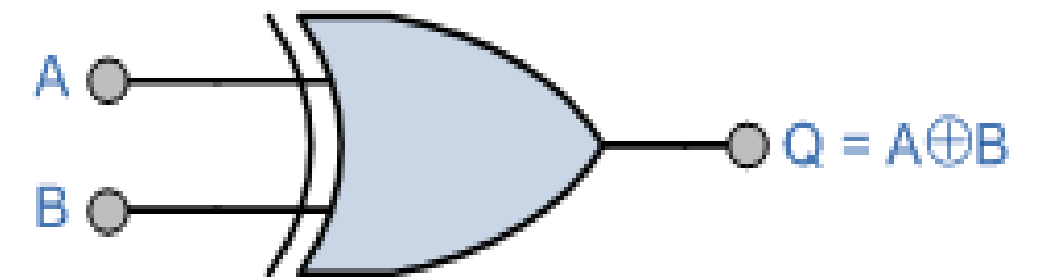


XOR



INPUT		OUTPUT
A	B	
0	0	0
1	0	1
0	1	1
1	1	0

Exclusive-OR Symbol



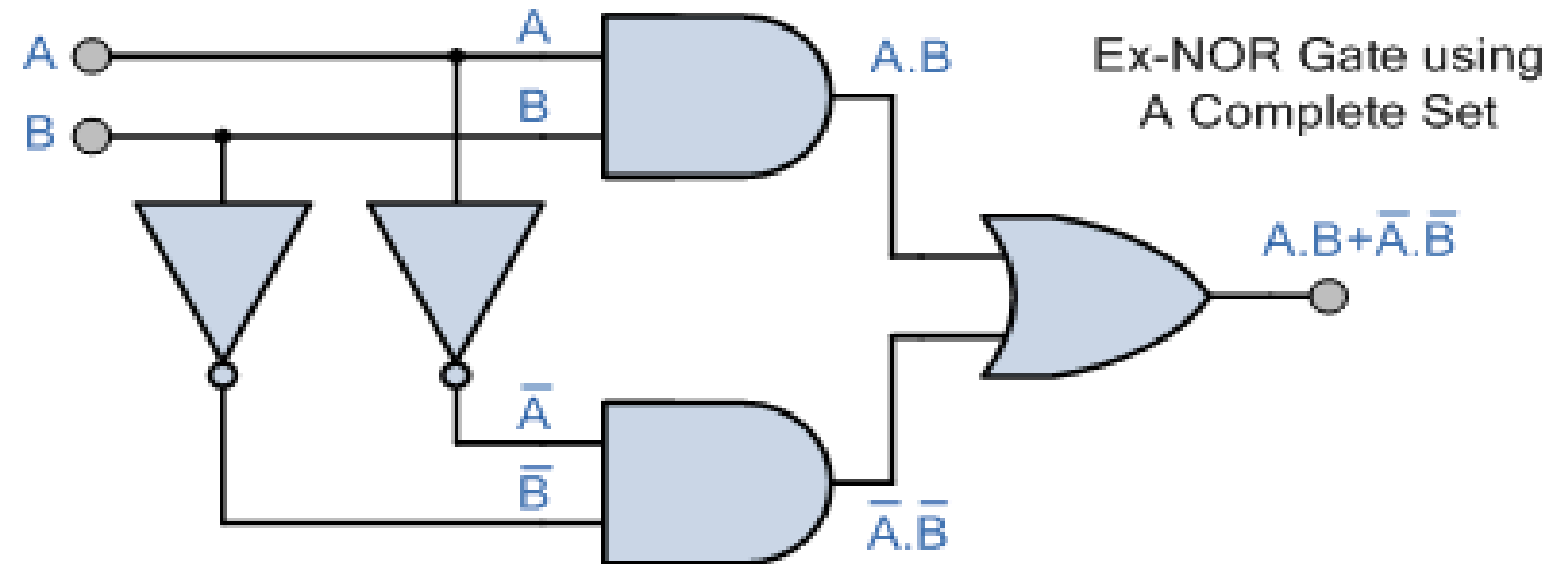
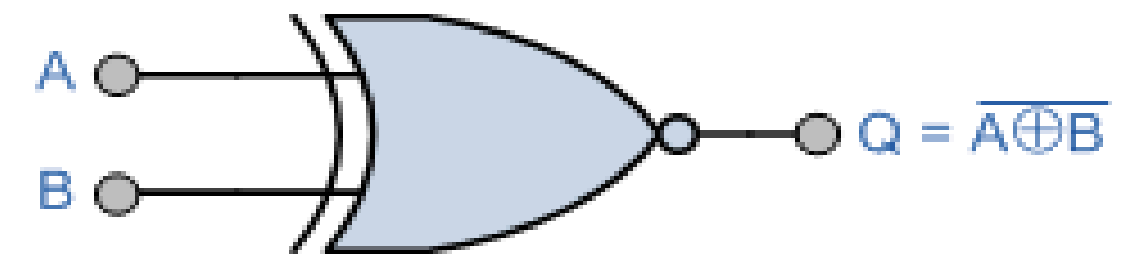


EX-NOR GATE



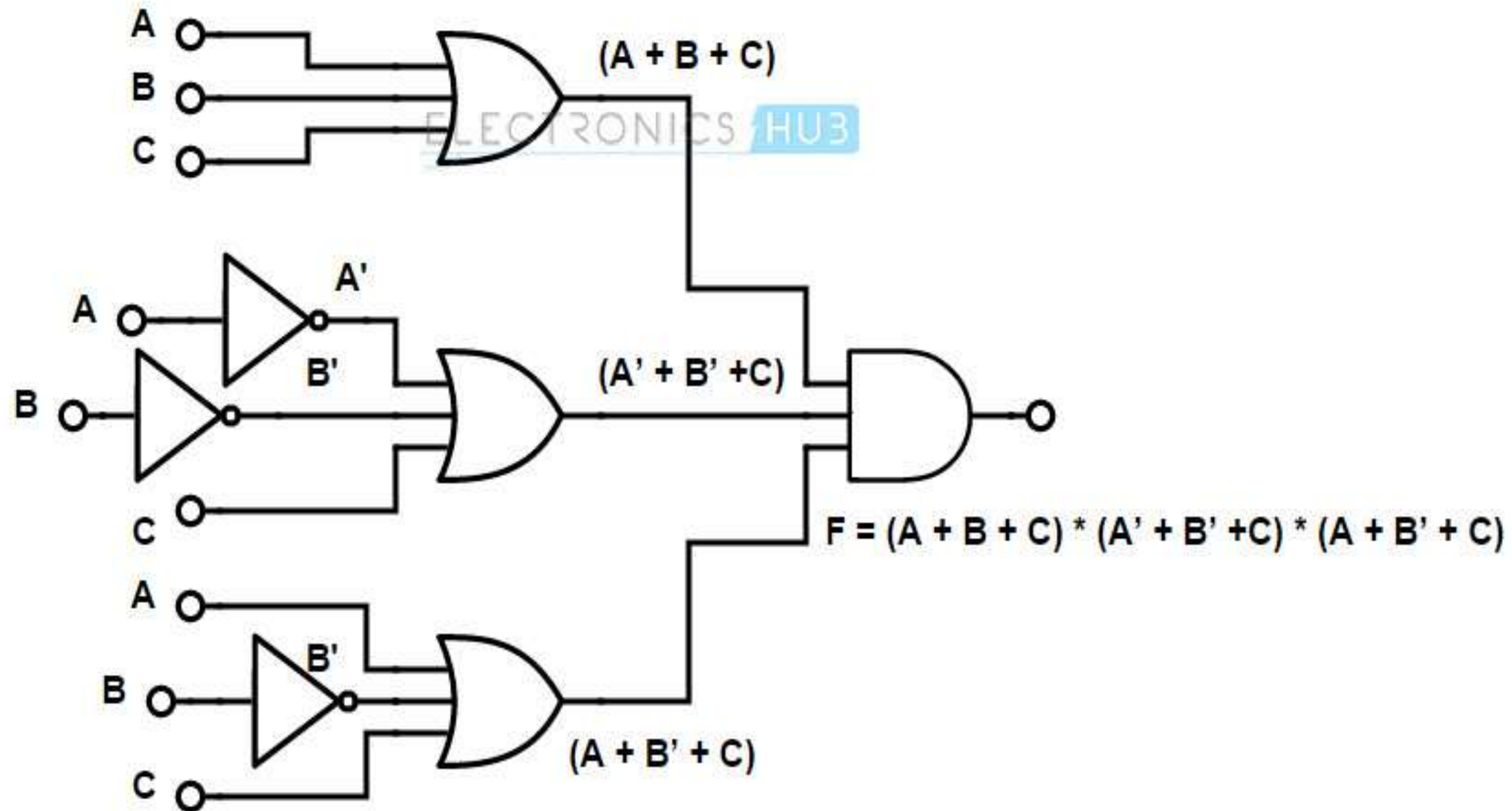
INPUT		OUTPUT
A	B	
0	0	1
1	0	0
0	1	0
1	1	1

Exclusive-NOR Symbol





BOOLEAN EXPRESSION USING LOGIC GATES





ASSESSMENTS



1. What are universal gates? Why it is called so?
2. Draw the symbols and truth table of NOT gate and AND gate?
3. Draw the symbols of EXOR gate and explain its truth table.



THANK YOU