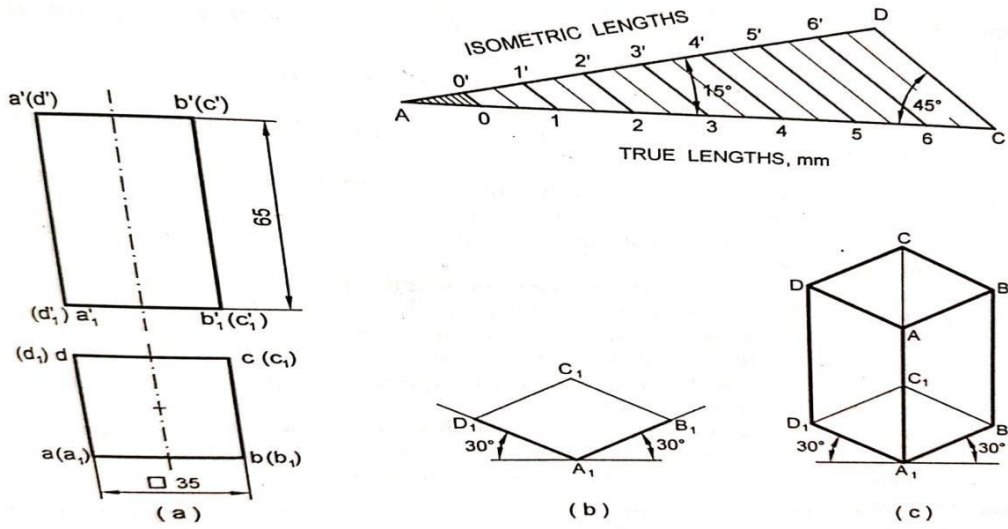




1. Draw the isometric Projection of Square Prism of side of base 35mm and height 65mm when its Axis is (i) Vertical.



2. Draw the isometric Projection of Hexagonal Prism of side of base 25mm and height 60mm and one of the edge of the base is Perpendicular to VP.

