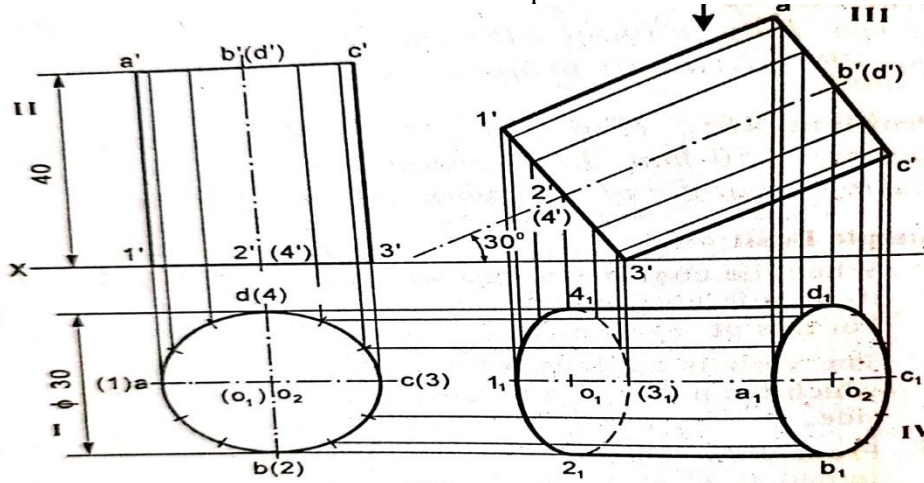




PROJECTION OF SOLIDS



3. Cylinder of diameter 30mm and axis length 40mm is resting on the HP on a point so that its axis is inclined at 30° to the HP and parallel to VP. Draw its views.



4. Draw the Projection of Hexagonal Pyramid of base 35 mm side and axis 60mm long when it lies on HP on one of its Slant Edge with its axis is parallel to VP

