

UNIT I

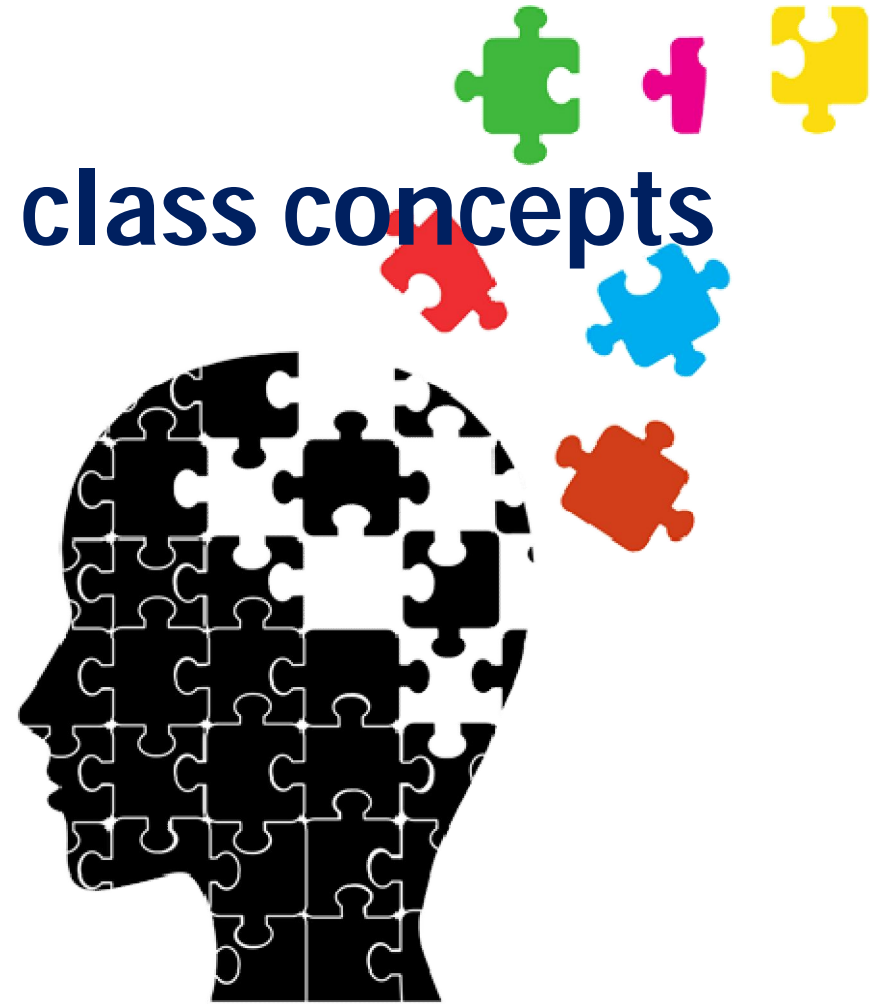
BASIC STRUCTURE OF COMPUTERS

Functional units – Basic operational concepts – Bus Structures – Performance – Memory locations and addresses – Memory operations – Instruction and Instruction sequencing – **Addressing modes** – **Assembly language** – Case study : RISC and CISC Architecture.





Recall the previous class concepts





Addressing modes

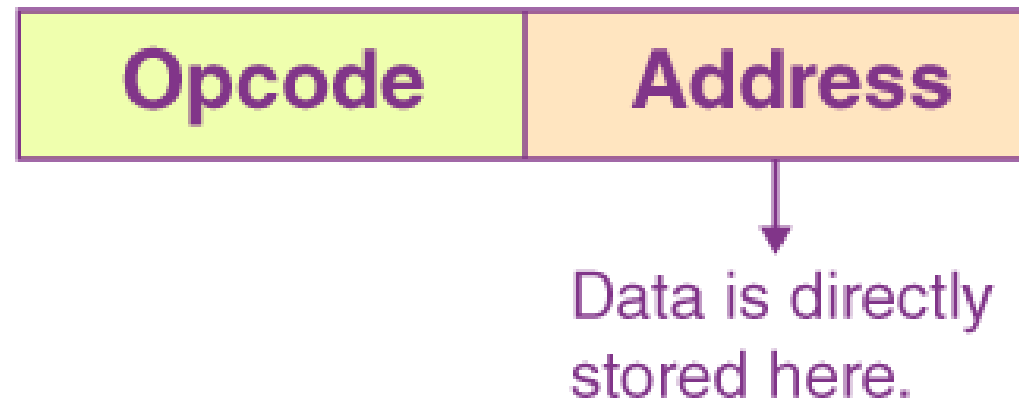
- The different ways of specifying the location of an operand in an instruction are called as **addressing modes**.
- **Starting address** of memory segment.
- **Effective address or Offset**: An offset is determined by adding any combination of three address elements: **displacement, base and index**.
 - **Displacement**: It is an 8 bit or 16 bit immediate value given in the instruction.
 - **Base**: Contents of base register, BX or BP.
 - **Index**: Content of index register SI or DI.

Types of Addressing modes

1. Implied / Implicit Addressing Mode
2. Stack Addressing Mode
3. Immediate Addressing Mode
4. Direct Addressing Mode
5. Indirect Addressing Mode
6. Register Direct Addressing Mode
7. Register Indirect Addressing Mode
8. Relative Addressing Mode
9. Indexed Addressing Mode
10. Base Register Addressing Mode
11. Auto-Increment Addressing Mode
12. Auto-Decrement Addressing Mode

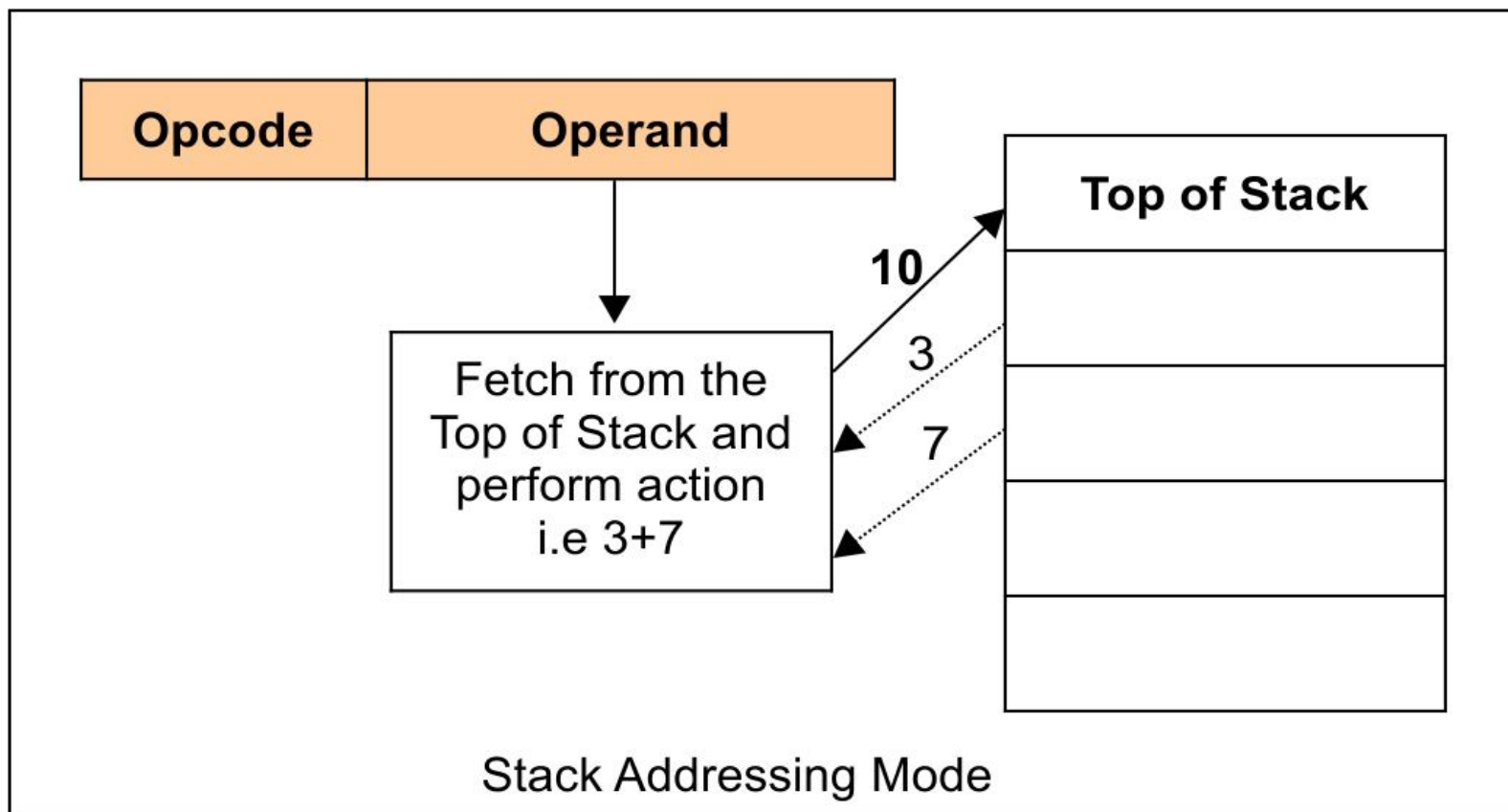


Implied / Implicit Addressing Mode



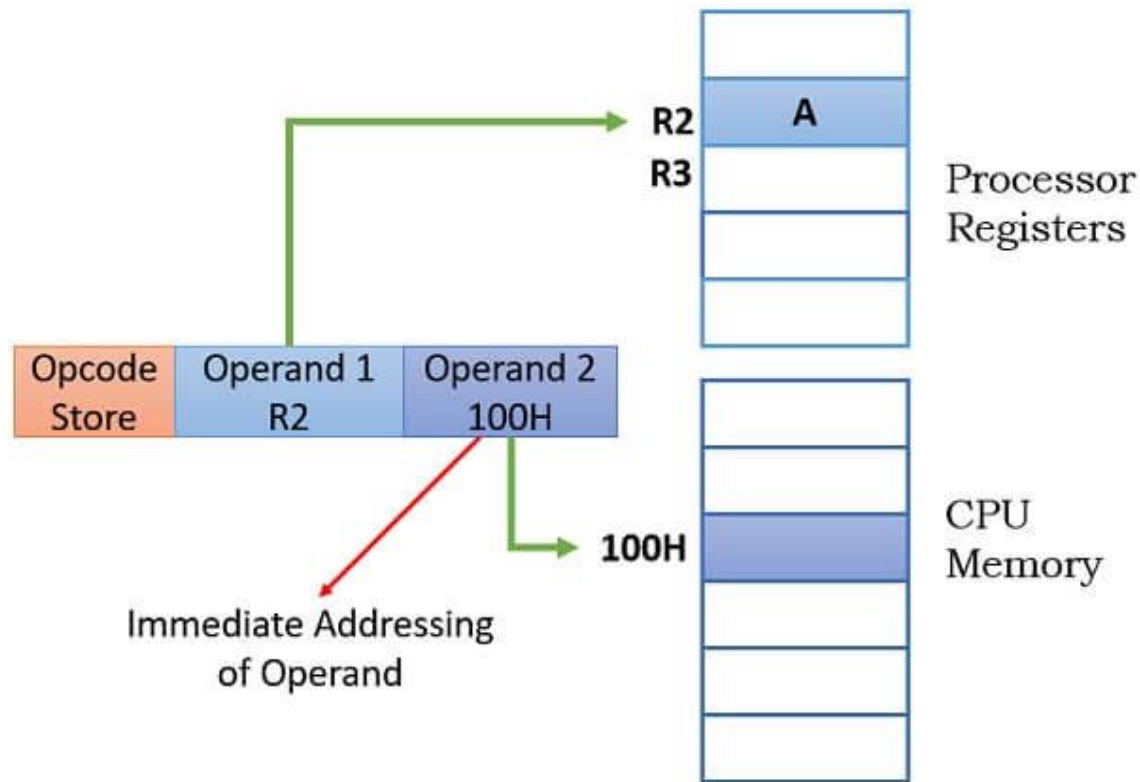
Example: MOV AL, 35H (move the data 35H into AL register)

Stack Addressing Mode

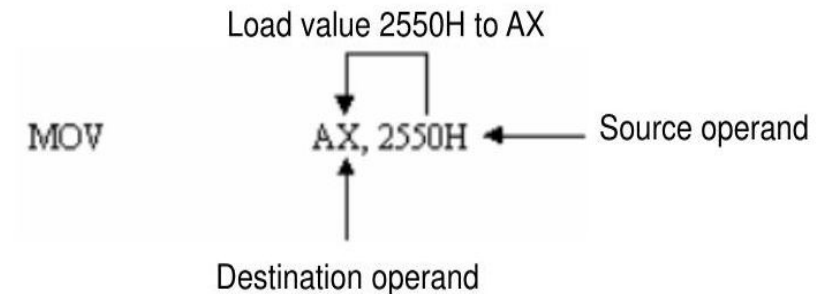




Immediate Addressing Mode

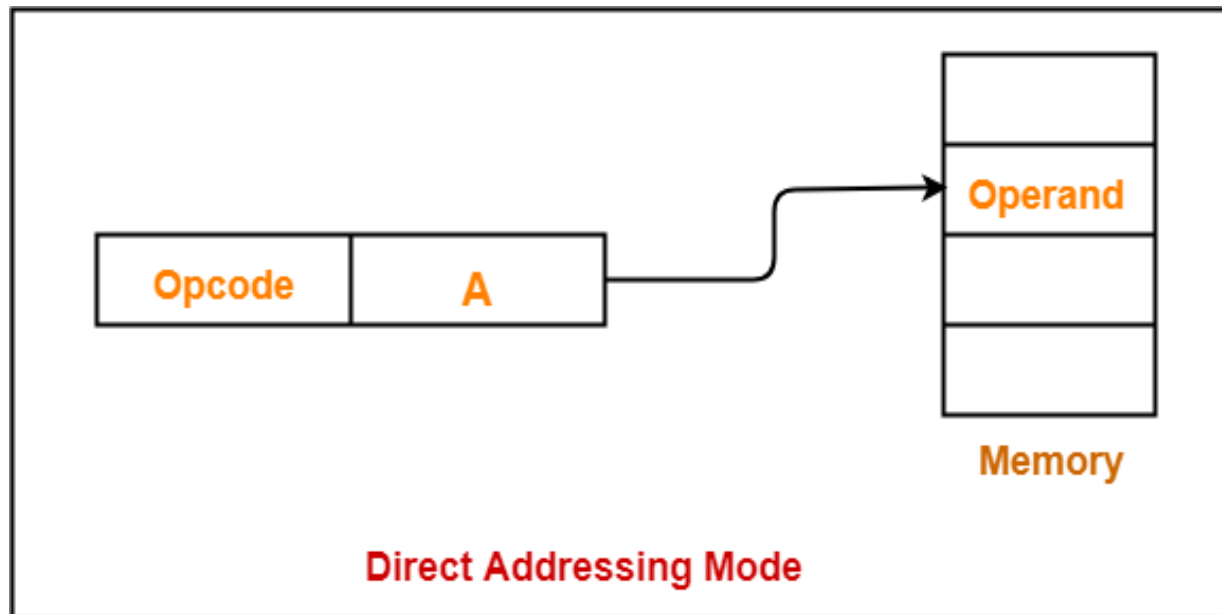


Example:





Direct Addressing Mode

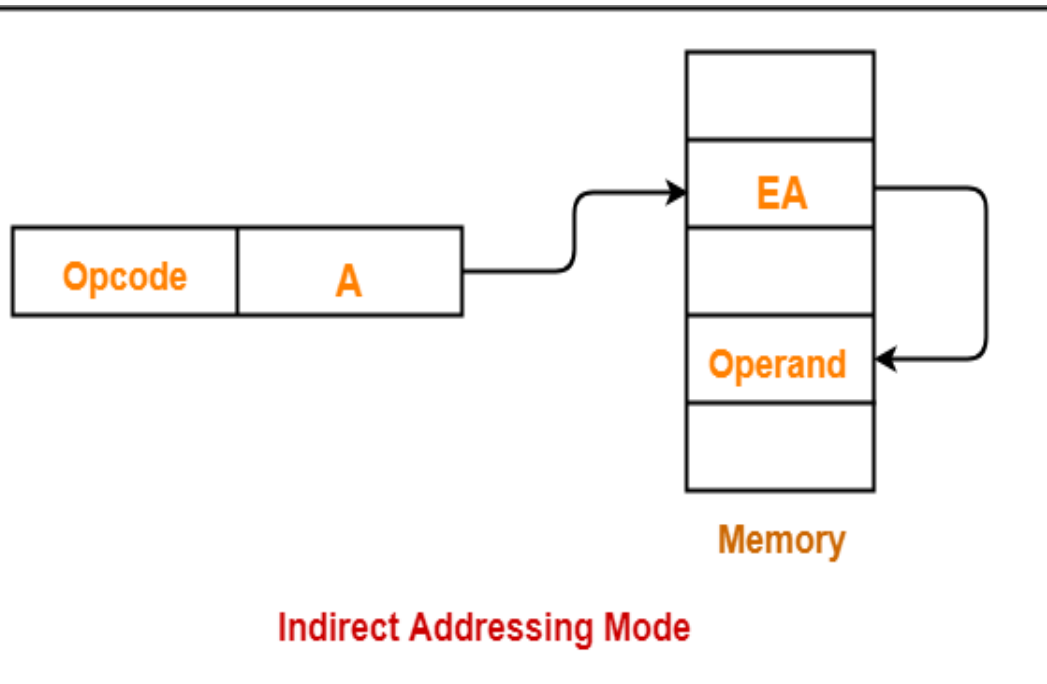


ADD X will increment the value stored in the accumulator by the value stored in memory location X.

$$AC \leftarrow AC + [X]$$



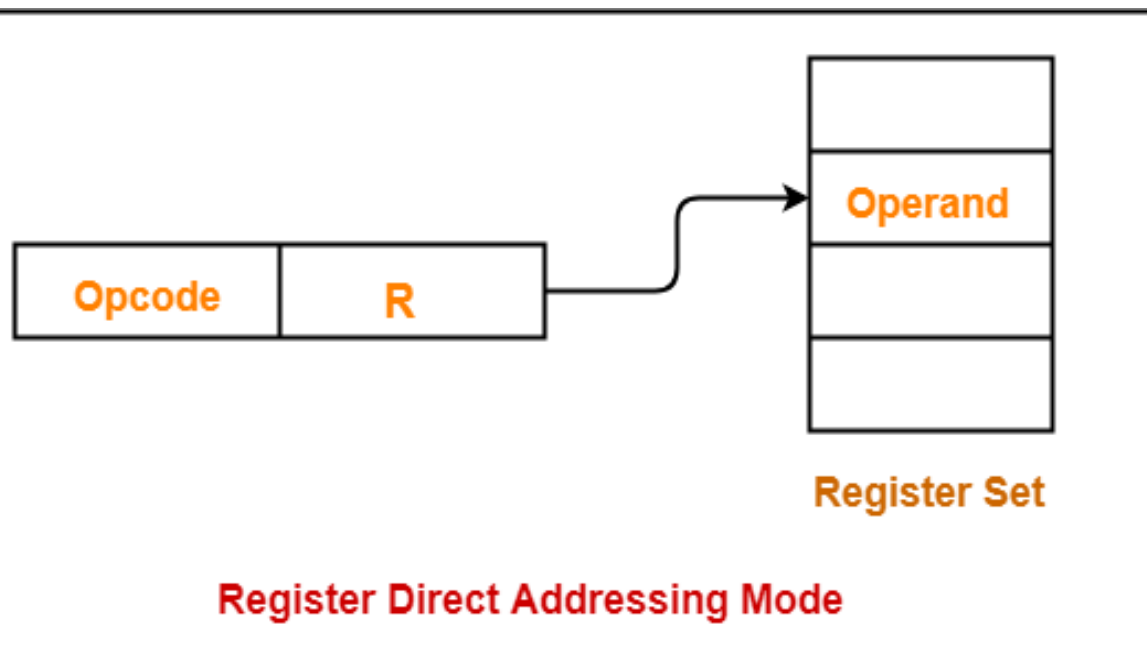
Indirect Addressing Mode



ADD X will increment the value stored in the accumulator by the value stored at memory location specified by X.

$$AC \leftarrow AC + [[X]]$$

Register Direct Addressing Mode

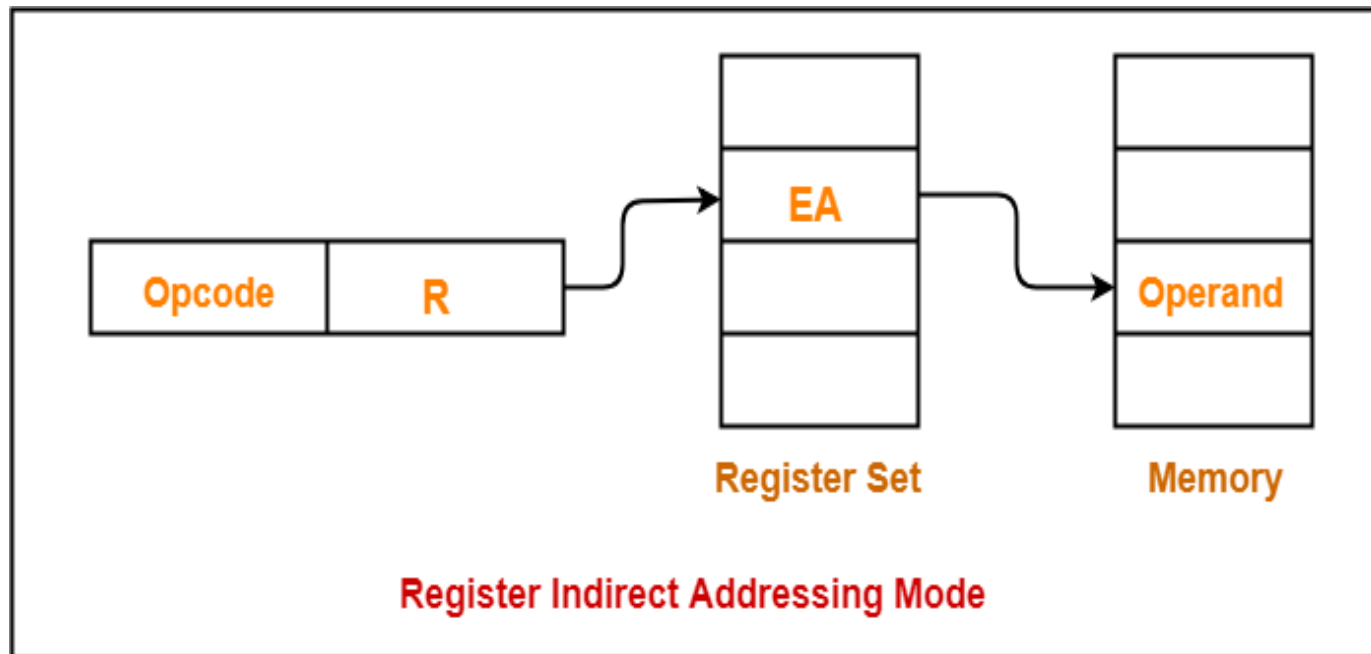


ADD R will increment the value stored in the accumulator by the content of register R.

$$AC \leftarrow AC + [R]$$



Register Indirect Addressing Mode

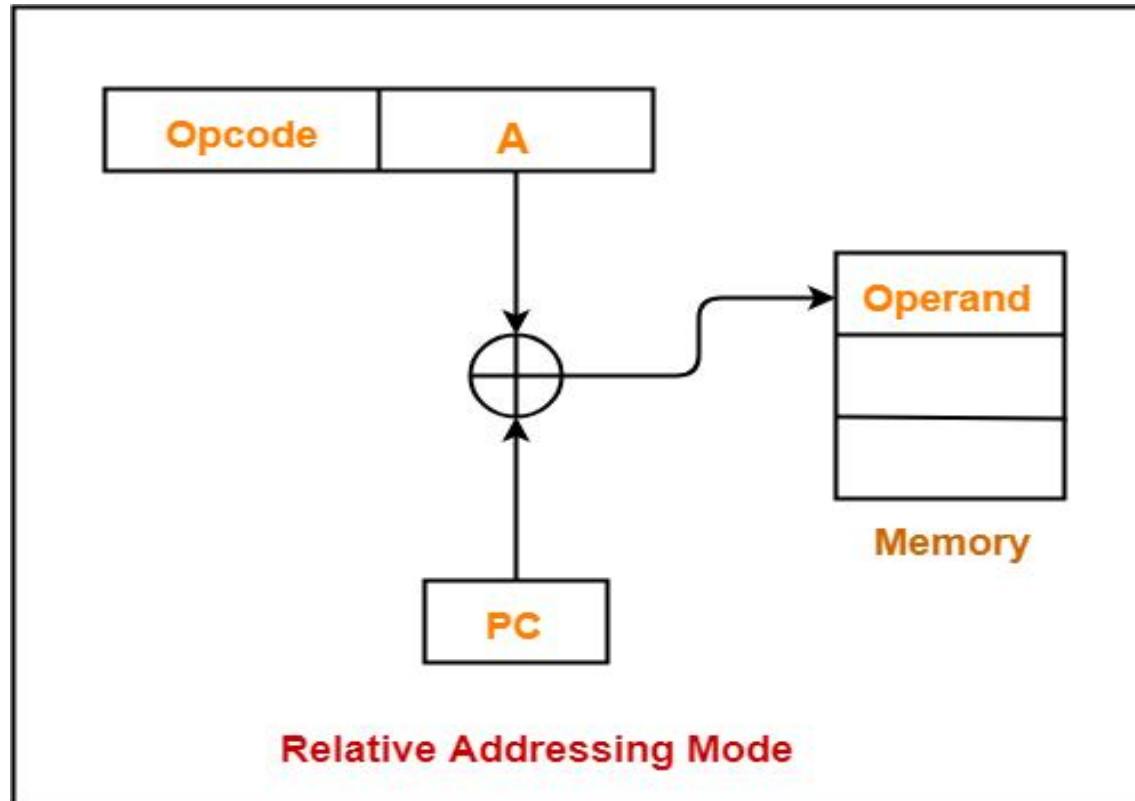


ADD R will increment the value stored in the accumulator by the content of memory location specified in register R.

$$AC \leftarrow AC + [[R]]$$



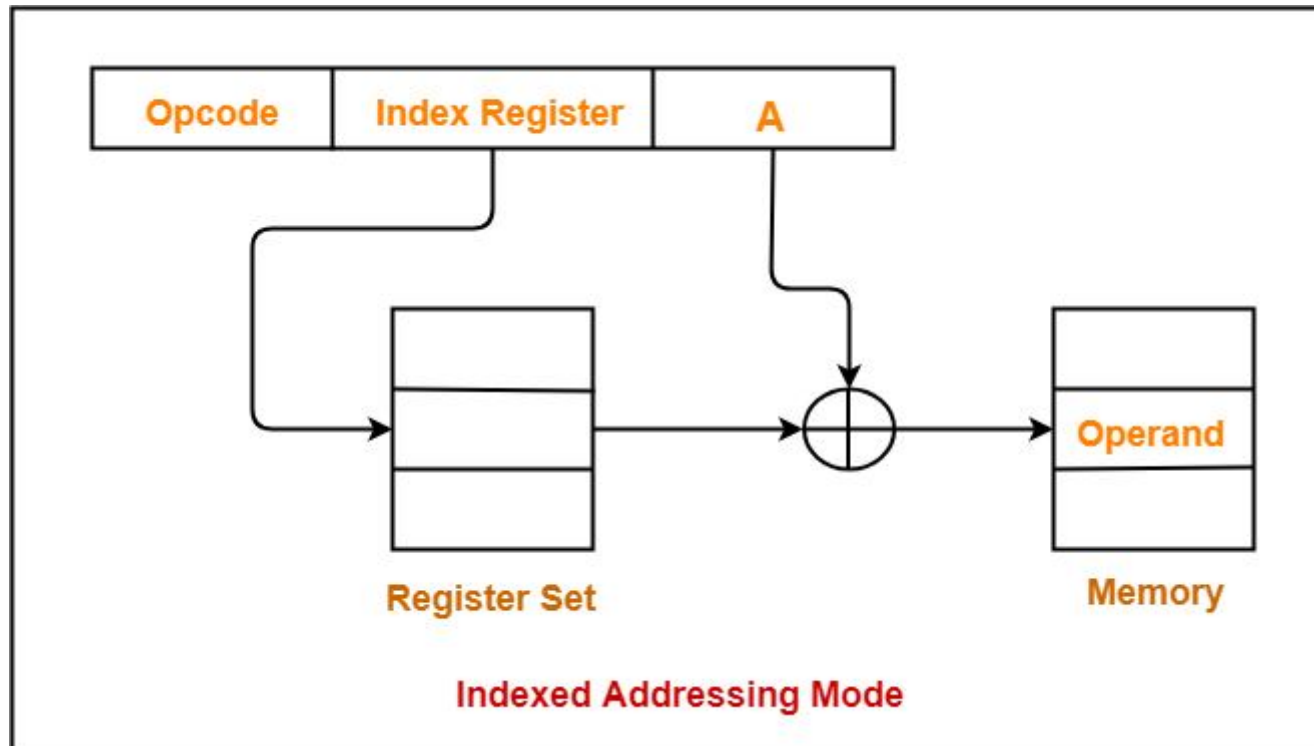
Relative Addressing Mode



Effective Address = Content of Program Counter + Address part of the instruction



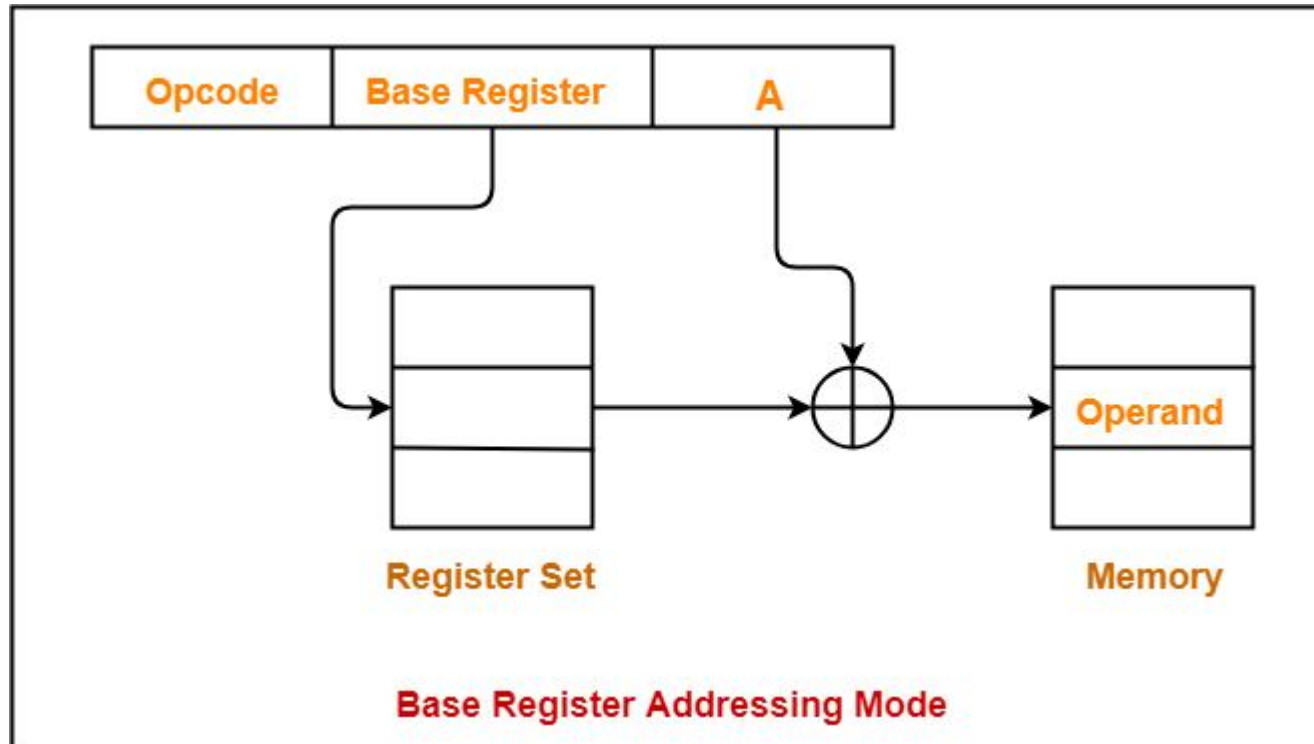
Indexed Addressing Mode



Effective Address = Content of Index Register + Address part of the instruction



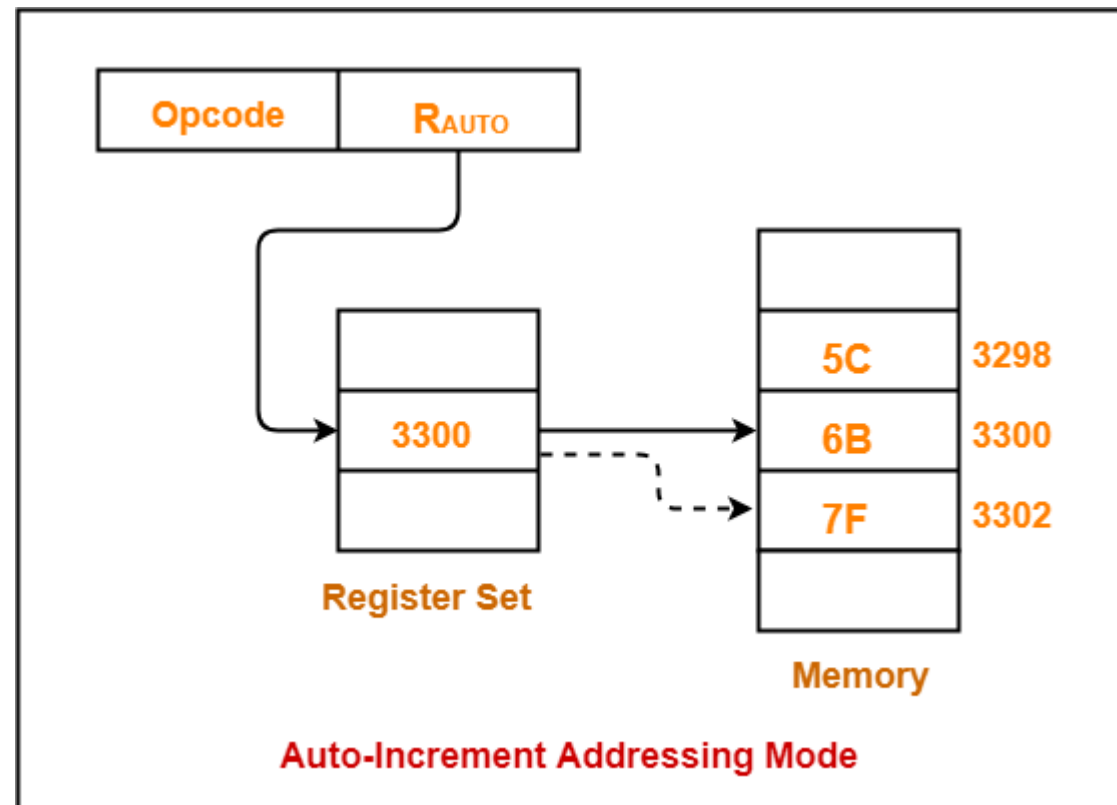
Base Register Addressing Mode



Effective Address = Content of Base Register + Address part of the instruction

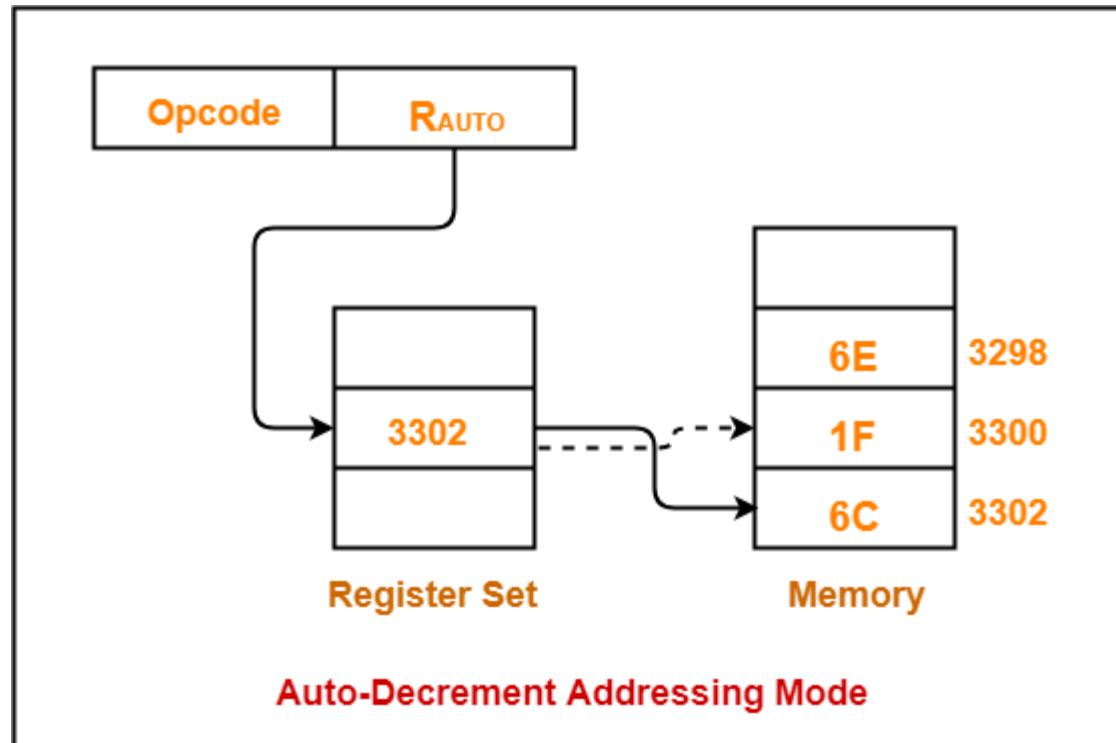


Auto-Increment Addressing Mode





Auto-Decrement Addressing Mode





Addressing Modes	Applications
Immediate Addressing Mode	To initialize registers to a constant value
Direct Addressing Mode and Register Direct Addressing Mode	To access static data & To implement variables
Indirect Addressing Mode and Register Indirect Addressing Mode	To implement pointers because pointers are memory locations that store the address of another variable To pass array as a parameter because array name is the base address and pointer is needed to point the address
Relative Addressing Mode	For program relocation at run time i.e. for position independent code To change the normal sequence of execution of instructions For branch type instructions since it directly updates the program counter



Addressing Modes	Applications
Index Addressing Mode	For array implementation or array addressing For records implementation
Base Register Addressing Mode	For writing relocatable code i.e. for relocation of program in memory even at run time For handling recursive procedures
Auto-increment & Auto-decrement Addressing Mode	For implementing loops , For stepping through arrays in a loop For implementing a stack as push and pop

Assembly language

- Assembly language is a type of programming language that communicates with the hardware of a computer.
- Hardware from different manufacturers uses machine language, like binary or hexadecimal characters, to perform tasks.

Assembly language

Assignment Statement is $f = (g + h) - (i + j)$

What is the compiled MIPS code?

f, g, h, i, j is assigned to r0, r1, r2, r3, r4

Temp register r5, r6

```
add r5, r1, r2
add r6, r3, r4
sub r0, r5, r6
```



Assembly language

Convert the following C Language into MIPS Assembly Language
 $A[30] = h + A[30]$

```
lw $t0, 32($s4) # load word
add $t0, $s2, $t0
sw $t0, 32($s4) # store word
```

Index 8 requires offset of 32

Assignment statement is
 $g = h + A[8];$
 $A[12] = h + A[8];$

```
lw $t0, 8($s3) # load word  
add $s1, $s2, $t0
```

```
lw $t0, 32($s3) # load word  
add $t0, $s2, $t0  
sw $t0, 48($s3) # store word
```

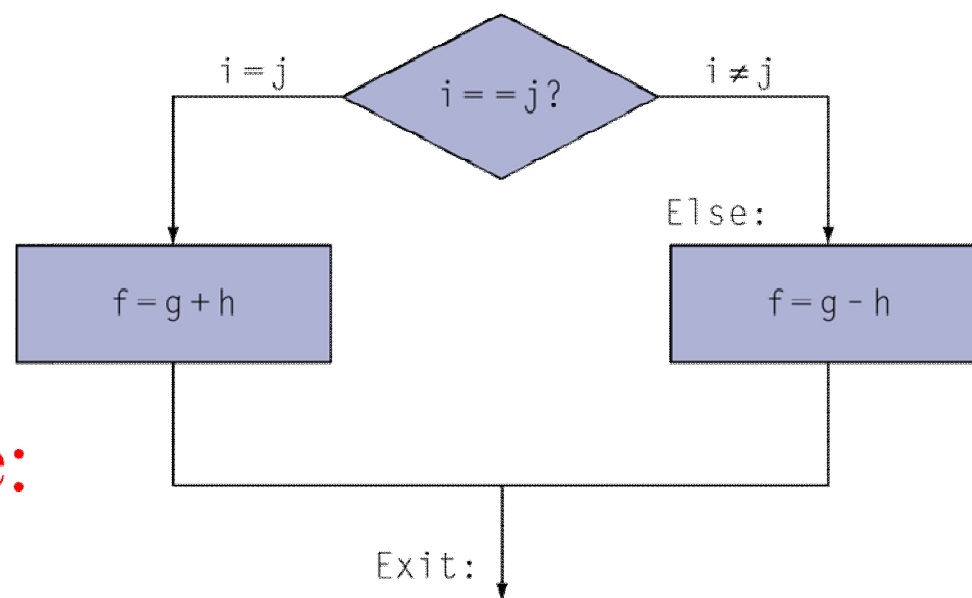


C code:

```
if (i==j)
    f = g+h;
else f = g-h;
- f, g, ... in $s0, $s1, ...
```

Compiled MIPS code:

```
beq $s3, $s4, Else
add $s0, $s1, $s2
j Exit
Else: sub $s0, $s1, $s2
Exit: ...
```





TEXT BOOK

Carl Hamacher, Zvonko Vranesic and Safwat Zaky, "Computer Organization", McGraw-Hill, 6th Edition 2012.

REFERENCES

1. David A. Patterson and John L. Hennessey, "Computer organization and design", MorganKauffman ,Elsevier, 5th edition, 2014.
2. William Stallings, "Computer Organization and Architecture designing for Performance", Pearson Education 8th Edition, 2010
3. John P.Hayes, "Computer Architecture and Organization", McGraw Hill, 3rd Edition, 2002
4. M. Morris R. Mano "Computer System Architecture" 3rd Edition 2007
5. David A. Patterson "Computer Architecture: A Quantitative Approach", Morgan Kaufmann; 5th edition 2011

THANK YOU