



SNS COLLEGE OF ENGINEERING

An Autonomous Institution

Coimbatore-107



DEPARTMENT OF COMPUTER SCIENCE AND ENGINEERING

19IT503-INTERNET OF THINGS

UNIT-3 EVOLVING IoT STANDARDS & PROTOCOLS

Topic:6 – 3GPP

Third Generation Partnership Project Service Requirements for Machine Type Communications (MTC)

2

- Approach
- Architectural Reference Model for MTC

Third Generation Partnership Project Service Requirements for Machine Type Communications (MTC)

Approach

3

- Current mobile networks are optimized for human-to-human (H2H) traffic and not for M2M/MTC interactions; hence, optimizations for MTC are advantageous.
- For example, one needs lower costs to reflect lower MTC ARPUs (average revenue per user); also, there is a need to support triggering.
- Hence, 3GPP has started work on M2M specification in 2010 for interoperable solutions, particularly in the 3G/4G/LTE context.

Third Generation Partnership Project Service Requirements for Machine Type Communications (MTC) Approach

4

TABLE 5.1 3GPP Specifications Related to MTC

3GPP Specifications	Specifications Associated with or Affected by MTC Work
22.011	Service accessibility
22.368	Service requirements for MTC; stage 1
23.008	Organization of subscriber data
23.012	Location management procedures
23.060	General packet radio service (GPRS); service description; stage 2
23.122	Non-access-stratum (NAS) functions related to mobile station (MS) in idle mode
23.203	Policy and charging control architecture
23.401	GPRS enhancements for evolved universal terrestrial radio access network (E-UTRAN) access
23.402	Architecture enhancements for non-3GPP accesses
23.888	System improvements for MTC
24.008	Mobile radio interface layer 3 specification; core network protocols; stage 3
24.301	NAS protocol for evolved packet system (EPS); stage 3
24.368	NAS configuration management object (MO)
25.331	Radio resource control (RRC); protocol specification
29.002	Mobile application part (MAP) specification
29.018	GPRS; serving GPRS support node (SGSN)—visitors location register (VLR); Gs interface layer 3 specification
29.060	GPRS; GPRS tunneling protocol (GTP) across the Gn and Gp interface
29.118	Mobility management entity (MME)—VLR SGs interface specification
29.274	3GPP EPS; evolved GTP for control plane (GTPv2-C); stage 3
29.275	Proxy mobile IPv6 (PMIPv6)-based mobility and tunneling protocols; stage 3
29.282	Mobile IPv6 vendor-specific option format and usage within 3GPP
31.102	Characteristics of the universal subscriber identity module (USIM) application
33.868	Security aspects of MTC
36.331	Evolved universal terrestrial radio access (E-UTRA); RRC; protocol specification
37.868	RAN improvements for MTC
43.868	GERAN improvements for MTC
44.018	Mobile radio interface layer 3 specification; RRC protocol
44.060	GPRS; MS–base station system (BSS) interface; radio link control/medium access control (RLC/MAC) protocol
45.002	Multiplexing and multiple access on the radio path

Third Generation Partnership Project Service Requirements for Machine Type Communications (MTC) Approach

5

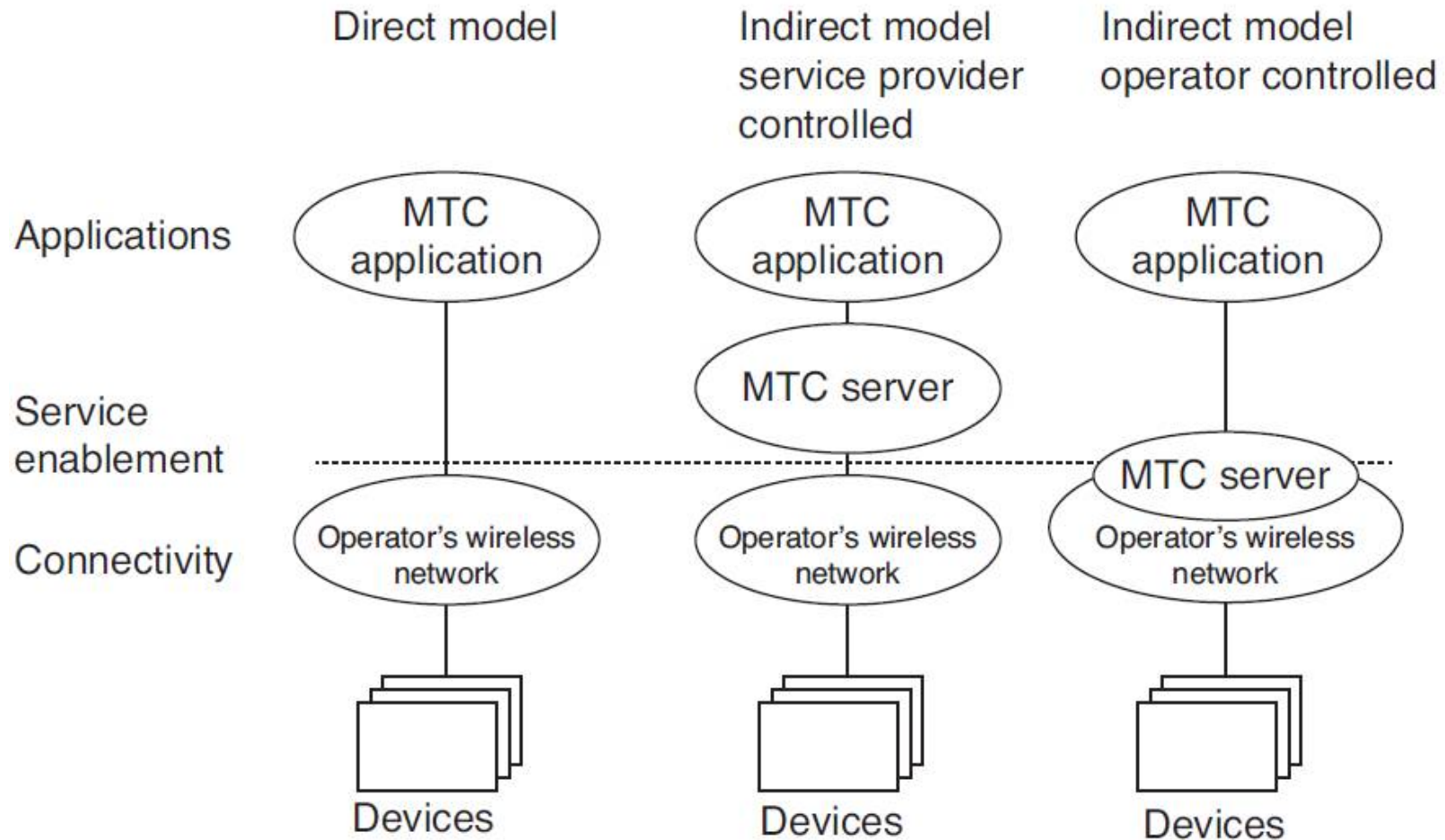
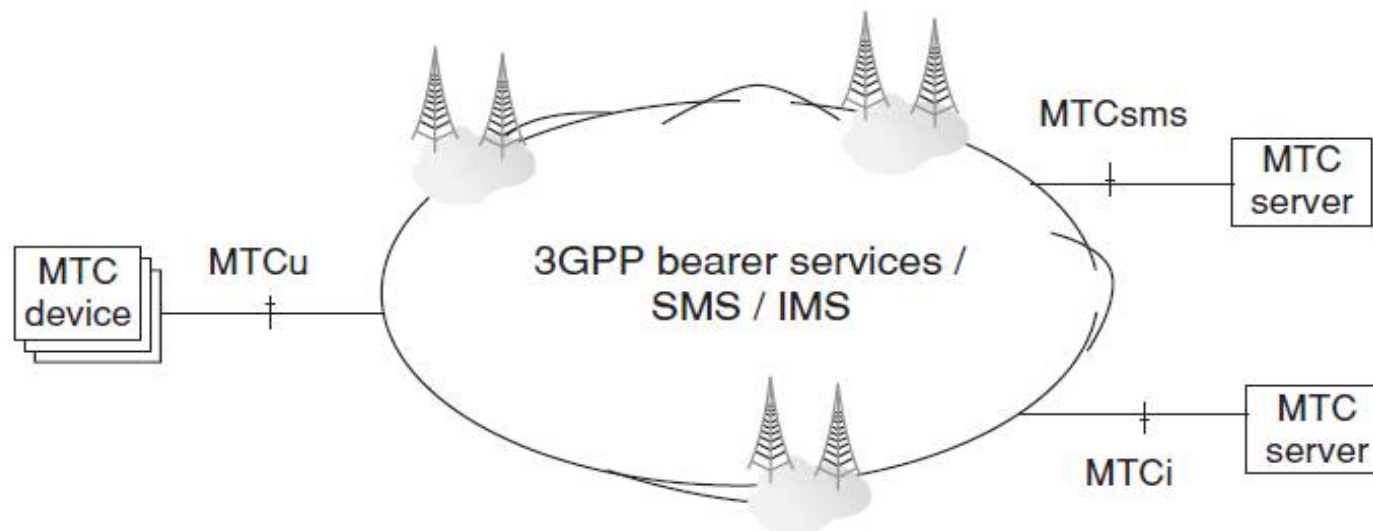


FIGURE 5.4 M2M in 3GPP—service models.

Third Generation Partnership Project Service Requirements for Machine Type Communications (MTC) Approach

6

- In architecture, the interfaces are as follows:
 - ▣ MTCu: provides MTC devices access to the 3GPP network for the transport of user traffic;
 - ▣ MTCi: the reference point for MTC server to connect the 3GPP network via 3GPP bearer service;
 - ▣ MTCsms: the reference point for MTC server to connect the 3GPP network via 3GPP SMS.



Third Generation Partnership Project Service Requirements for Machine Type Communications (MTC) Approach

7

- The key document *3rd Generation Partnership Project Service Requirements for Machine Type Communications*—focused on
 - ▣ overload and congestion control,
 - ▣ extended access barring (EAB),
 - ▣ low priority access,
 - ▣ APN (access point name)-based congestion control,
 - ▣ downlink throttling.

Third Generation Partnership Project Service Requirements for Machine Type Communications (MTC)

Approach

8

- For MTC communication, the following communication scenarios are identified:
 - ▣ (i) MTC devices communicating with one or more MTC server;
 - ▣ (ii) MTC devices communicating with each other.

Third Generation Partnership Project Service Requirements for Machine Type Communications (MTC)

Approach

9

- For MTC devices communicating with one or more MTC servers, the following use cases exist:
 - (a) MTC server controlled by the network operator; namely the MTC server is located in the operator domain. Here
 - The network operator offers API (e.g., Open Systems Architecture [OSA]) on its MTC server(s)
 - MTC user accesses MTC server(s) of the network operator via API
 - (b) MTC server not controlled by the network operator; namely MTC server is located outside the operator domain. Here
 - The network operator offers the network connectivity to the MTC server(s) located outside of the network operator domain

Third Generation Partnership Project Service Requirements for Machine Type Communications (MTC)

Approach

10

- MTC applications do not all have the same characteristics.
- This implies that not every system optimization is suitable for every MTC application.
- Therefore, MTC features are to provide structure for the different system optimization possibilities that can be invoked.

Third Generation Partnership Project Service Requirements for Machine Type Communications (MTC)

Approach

11

- The following MTC features have been defined:
 - Low mobility
 - Time controlled
 - Time tolerant
 - Packet switched (PS) only (here the MTC feature PS only is intended for use with MTC devices that only require packet switched services)
 - Small data transmissions
 - Mobile originated only
 - Infrequent mobile terminated
 - MTC monitoring
 - Priority alarm
 - Secure connection
 - Location-specific trigger
 - Network provided destination for uplink data
 - Infrequent transmission

Third Generation Partnership Project Service Requirements for Machine Type Communications (MTC)

Architectural Reference Model for MTC

12

- *3rd Generation Partnership Project Service Requirements for Machine Type Communications* focuses on numbers and addressing, on improvements of device triggering, and on interfaces between MTC server and mobile network.
- Referring to Figure in next slide,

Third Generation Partnership Project Service Requirements for Machine Type Communications (MTC)

Architectural Reference Model for MTC

12

MTC-IWF is a new interworking function between (external) MTC server and operator core network handling security, authorization, authentication, and charging.

MTCsp is a new control interface for interactions with MTC server

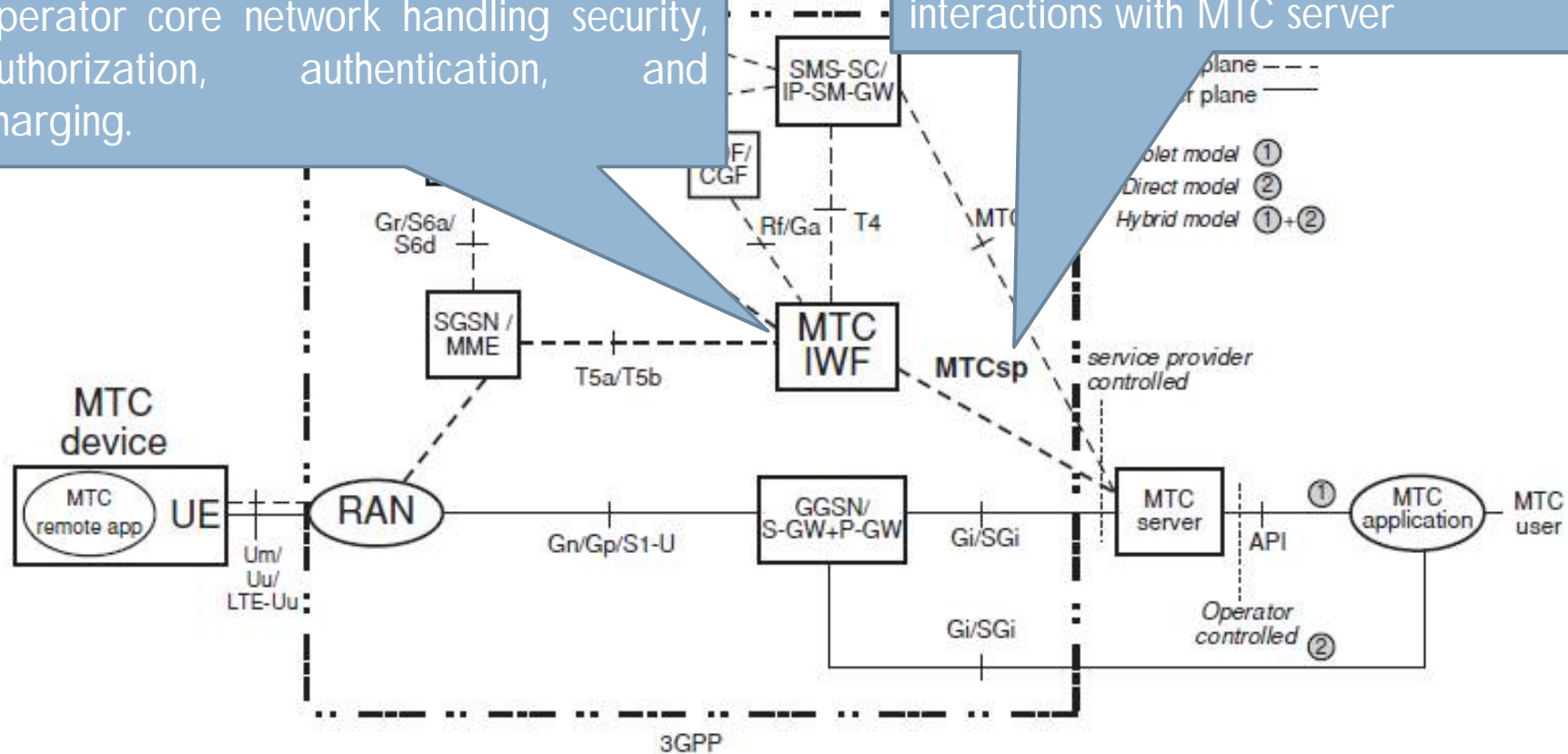


FIGURE 5.5 M2M in 3GPP—Architecture.

Third Generation Partnership Project Service Requirements for Machine Type Communications (MTC)

Architectural Reference Model for MTC

14

- The end-to-end application, between the user equipment (UE) used for MTC and the MTC application, uses services provided by the 3GPP system, and optionally services provided by an MTC server.
- The 3GPP system provides transport and communication services (including 3GPP bearer services, IMS, and SMS) including various optimizations that can facilitate MTC.
- UE used for MTC connecting to the 3GPP network (UTRAN, E-UTRAN, GERAN, I-WLAN, and so on) via the Um/Uu/LTE-Uu interface.

Third Generation Partnership Project Service Requirements for Machine Type Communications (MTC)

Architectural Reference Model for MTC

- The architecture encompasses a number of models as follows:
 - ▣ Direct model —direct communication provided by the 3GPP operator: The MTC application connects directly to the operator network without the use of any MTC server;
 - ▣ Indirect model —MTC service provider controlled communication: The MTC server is an entity outside of the operator domain. The MTCsp and MTCsms are external interfaces (i.e., to a third-party M2M service provider);
 - ▣ Indirect model—3GPP operator controlled communication: The MTC server is an entity inside the operator domain. The MTCsp and MTCsms are internal to the public land mobile network (PLMN);
 - ▣ Hybrid model: The direct and indirect models are used simultaneously in the hybrid model, for example, connecting the user plane using the direct model and doing control plane signalling using the indirect model.

Third Generation Partnership Project Service Requirements for Machine Type Communications (MTC)

Architectural Reference Model for MTC

16

- In several countries, regulators have indicated that there are not enough (mobile) numbers available for M2M applications.
- 3GPP postulates that solutions will have to support 100× more M2M devices than devices for H2H communications.
- Proposed solutions include:
 - ▣ (i) mid-term solution: special M2M number ranges with longer telephone numbers (e.g., 14 digits);
 - ▣ (ii) long-term solution: no longer provide telephone numbers for M2M applications.

Third Generation Partnership Project Service Requirements for Machine Type Communications (MTC)

Architectural Reference Model for MTC

17

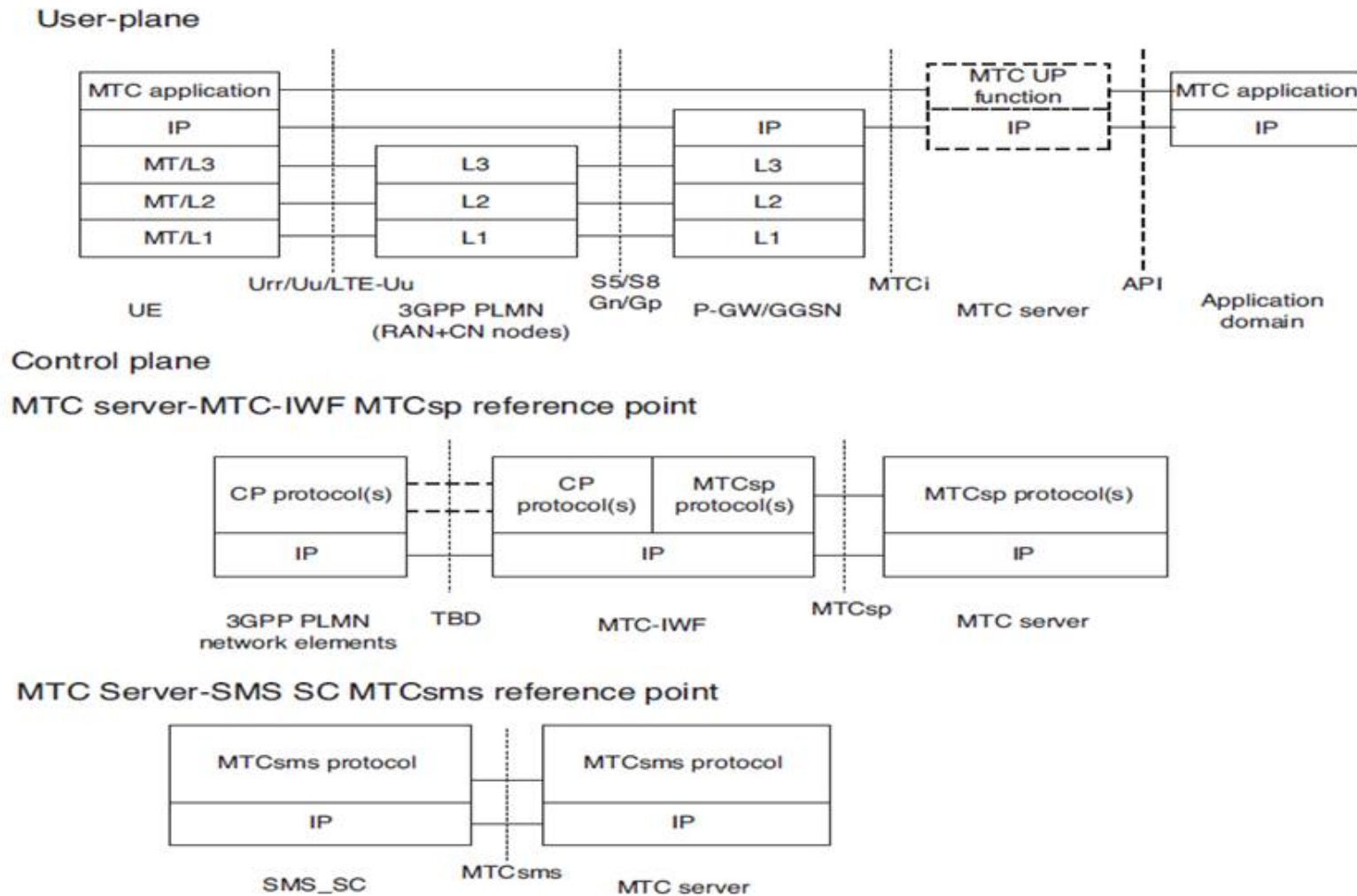


FIGURE 5.6 User and control plane stack for MTC architecture

CENELEC

18

- European Committee for Electrotechnical Standardization (CENELEC)
 - ▣ has adopted the transport profile of Siemens' distribution line carrier communication protocol (CX1) as a standardization proposal.
- The standard aims at supporting open and fault tolerant communication via powerline in intelligent power supply grids.
- As the basis for the transmission protocol, which uses the low voltage network as a communication channel for data of grid sensors and smart meters, the transport profile has been designed to ensure interoperability in accordance with EU Mandate M/441.

CENELEC

19

- CENELEC TC 13 was planning to forward the CX1 transport profile to TC 57 of the International Electrotechnical Commission (IEC).
- CX1 is already used to connect meters and other intelligent terminal devices in Siemens' SG metering systems, such as in the load switching devices that will replace household ripple control receivers.
- The systems collect energy consumption data and network information, which are then relayed to a control center for further processing.
- The communication protocol can handle any change in the physical communication parameters of a low voltage power supply grid, such as signal attenuation, noise, network disruption and signal coupling, as well as operational changes in network configuration.
- The protocol can also be integrated into existing IEC protocol-based network automation and energy management infrastructures.



THANK YOU